



TSURUMI PUMP

Float Switches

MC
MF
RF



Level Sensor MC

for sensing water levels



Features

- Simple structure made of a ball float with a shock absorber wrapped around it
- Rugged construction withstanding impact from collision with the tank walls or piping
- Assures trouble-free operations in the water containing any types of suspended solids including scum-filled wastewater
- Switching on and off can be made at steadier angle than mercury type float switches
- Contacts switchable, "a" (normally-open) or "b" (normally-close), at will

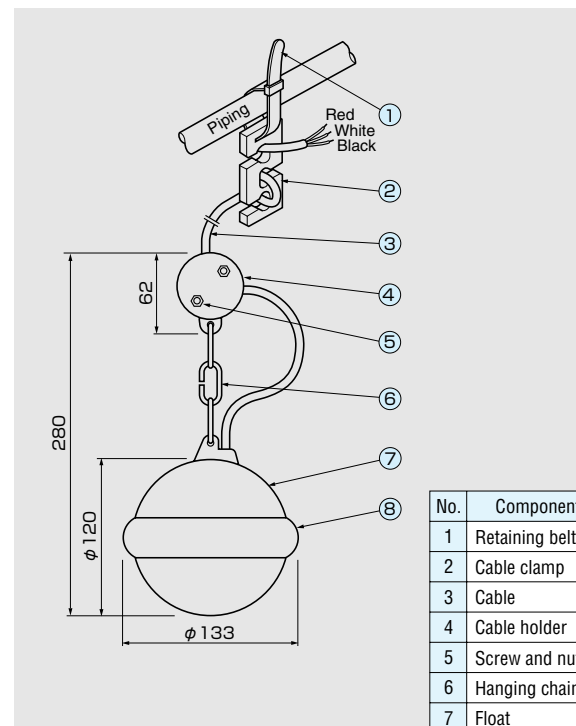
Applications

- Automatic pumping of the wastewater containing lots of scum and suspended solids
- For sensing alert water levels like high water level or lower water level

Conductor color	In the air	Submerged	Contact
Red-Black	off (open)	on (closed)	"a" (normally-open)
Red-White	on (closed)	off (open)	"b" (normally-close)

In the air		Submerged	
White B	Black A	White B	Black A

Dimensions and Structure (mm)



No.	Components	Material
1	Retaining belt	Nylon
2	Cable clamp	ABS Resin
3	Cable	PVC
4	Cable holder	ABS Resin
5	Screw and nut	304 Stainless Steel
6	Hanging chain	316 Stainless Steel
7	Float	ABS Resin
8	Shock absorber	ABS Resin

Standard Specifications

Model		MC-2
Electric characteristics	Breaking capacity	50VA AC
	Max. current	2A AC
	Working voltage	30V AC
Switch	Contact	c ³⁰
	Type	Microswitch
Mechanical characteristics	Proof pressure (static)	98kPa (1.0 kgf/cm ²)
	Working temperature range	0 to 50°C
Cable	Cores × area	3 × 0.75mm ²
	Outside diameter	7.6mm
	Standard length	6, 10, 15, 20, 25, 30m
Weight		1,087g (Float only)

※ Usable either at contact "a" (normally-open) or contact "b" (normally-close).

Mini-Float Sensor MF

for sensing water levels



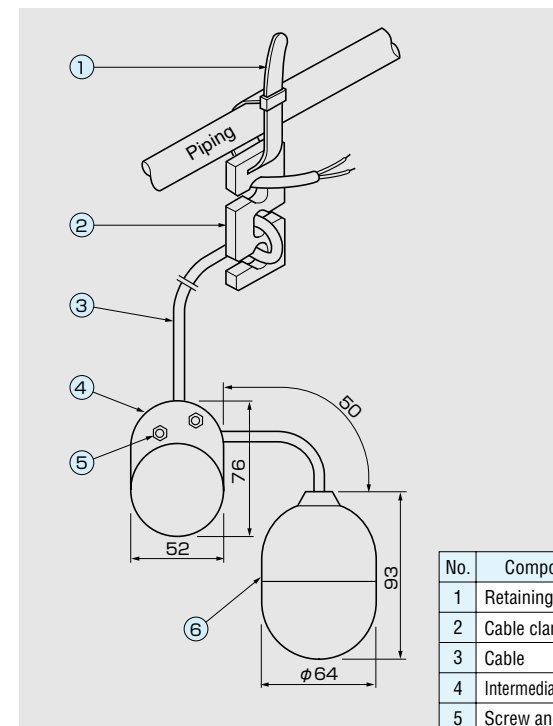
Features

- Float cut down to the smallest possible size
- Available in two types; contact "a" (normally-open) and contact "b" (normally-close)
- Ideal for a maximum/minimum water-level alert system
- Two floats usable in case the sensor is connected to the control panel for automatic pump operations

Applications

- Automatic pumping of water, wastewater, etc.
- Ideal for sensing alert water levels like high water level or lower water level

Dimensions and Structure (mm)



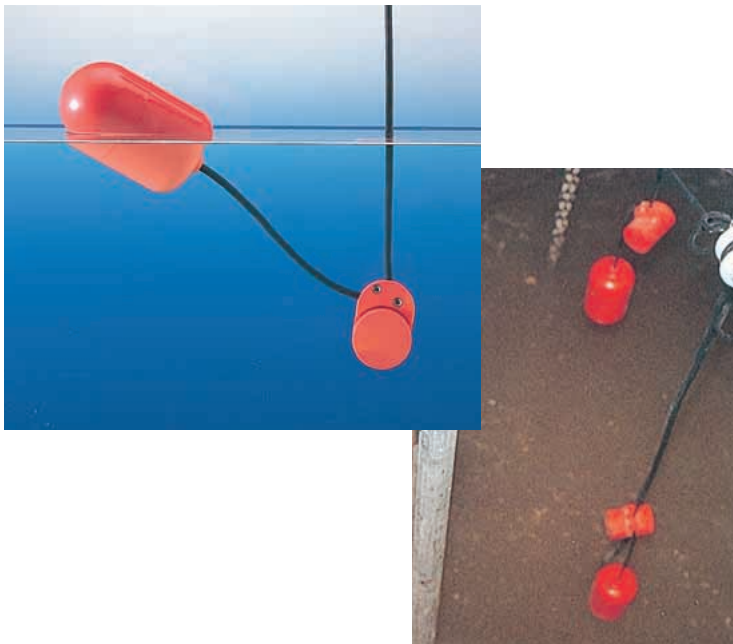
No.	Components	Material
1	Retaining belt	Nylon
2	Cable clamp	ABS Resin
3	Cable	CSPE
4	Intermediate weight	ABS Resin
5	Screw and nut	304 Stainless Steel
6	Float	ABS Resin

Standard Specifications

Model		MF-3	
		MF-3A	MF-3B
Electric characteristics	Breaking capacity	50VA AC	
	Max. current	2A AC	
	Working voltage	30V AC	
Switch	Contact	"a" (normally-open)	"b" (normally-close)
	Type	Microswitch	
Mechanical characteristics	Proof pressure (static)	98kPa (1.0 kgf/cm ²)	
	Working temperature range	0 to 50°C	
Cable	Cores × area	2 × 0.3mm ²	
	Outside diameter	5.3mm	
	Standard length	6, 10, 15, 20, 25, 30m	
Weight		98g (Float only)	

Snap-Action Float Sensor **RF**

for sensing water levels



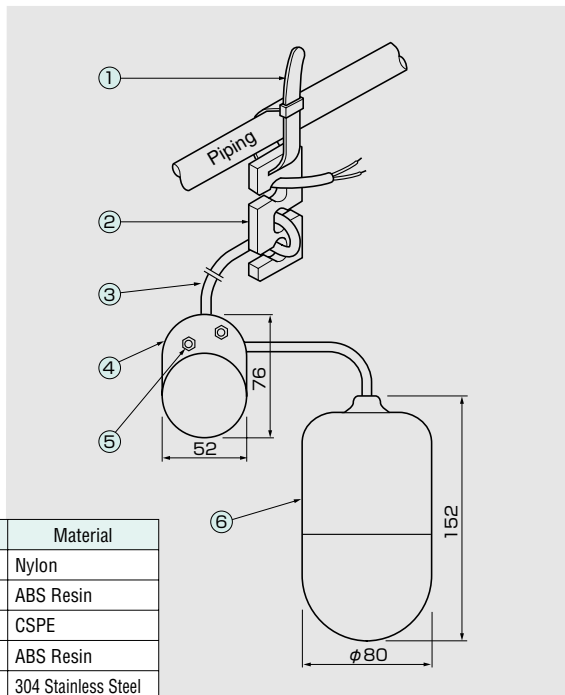
Features

- Detecting cut-in and cutout water levels with single float
- Snap on-off action ensures stable operations in clean water, wastewater or liquids containing suspended matter or oil and fat
- Hanging length readily adjustable with cable clamp

Applications

- Automatic pumping of water, wastewater, etc.
- For sensing alert water levels like high water level or lower water level

Dimensions and Structure (mm)



No.	Components	Material
1	Retaining belt	Nylon
2	Cable clamp	ABS Resin
3	Cable	CSPE
4	Intermediate weight	ABS Resin
5	Screw and nut	304 Stainless Steel
6	Float	ABS Resin

Standard Specifications

Item		Model	RF-5
Electric characteristics	Breaking capacity		50VA AC
	Max. current		2A AC
	Working voltage		30V AC
Switch	Contact		"a" (normally-open)
	Type		Microswitch
Mechanical characteristics	Proof pressure (static)		98kPa (1.0 kgf/cm ²)
	Working temperature range		0 to 50°C
Level control			Min. 400mm, Max. 3,000mm
Cable	Cores × area		2 × 0.5mm ²
	Outside diameter		6.5mm
	Standard length		6, 10, 15, 20, 25, 30m
Weight			207g (Float only)

We reserve the right to change specifications and designs herein for improvement without prior notice.

TSURUMI
MANUFACTURING CO.,LTD.

Your Dealer