

พัดลมระบายความร้อน

Shaded Pole

60 psi max. pressure, 25.5 inHg max. vacuum
1.1 CFM open flow (60 Hz)

PRODUCT FEATURES

- Oilless operation
- Motor mounted
- Rugged construction/low maintenance

INCLUDES

- Gauges - Vacuum AE136, Pressure AA806
- Hose barb - AG613
- Regulators - Vacuum AA550C-V, Pressure AF887
- Carrying handle - AP523A
- Rubber feet - AF584A

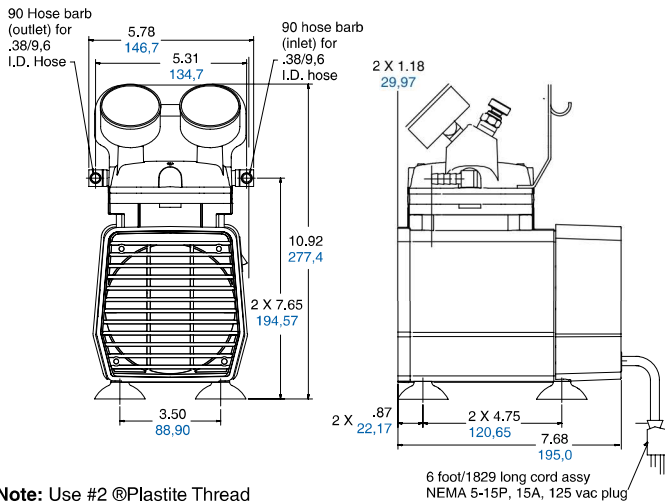
RECOMMENDED ACCESSORIES

- Repair kit K294J

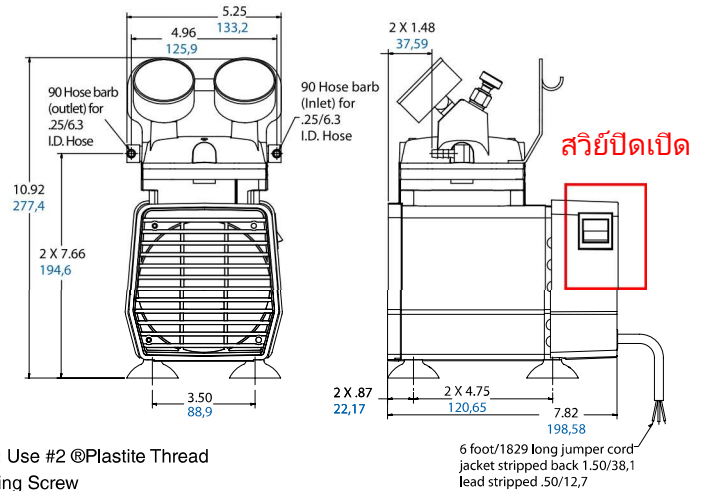
Product Dimensions (inches, mm)

Reference only

DOA-P704-AA



DOA-P504-BN

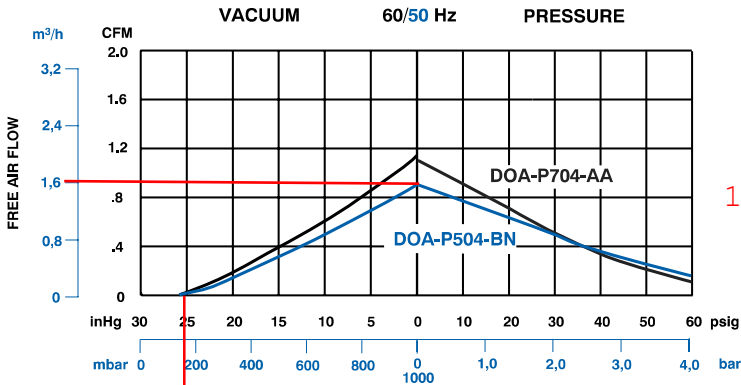


Product Specifications

Model Number	Motor	Motor Type	RPM			kW	Net Weight		Regulatory
			60 Hz	50 Hz	HP		lbs	kg	
DOA-P704-AA	115-60-1	Shaded pole	1575	----	1/8	0,09	16.0	7,3	UL/CNL
DOA-P504-BN	220/240-50-1	Shaded pole	----	1275	1/8	0,09	16.0	7,3	CE

CSA – Approved by the Canadian Standards Association
 cUR – UL recognized for use in Canada and US
 CNL – UL listed for use in Canada and US
 CE – Conforms to European Standards
 UL – UL Listed for US
 UR – UL recognized for US

Product Performance



1.6m³/hr หรือ 25 l/min

ทำสุญญากาศได้ไม่น้อยกว่า 24inHg