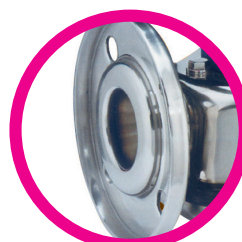
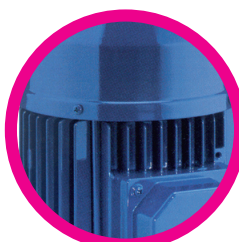


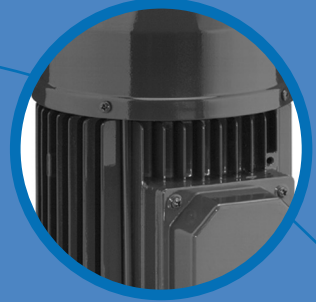


LPS



In-line Centrifugal Pumps







INDEX



SPECIFICATIONS	pag. 4
Applications	pag. 4
Technical features	pag. 4
Technical data	pag. 4
Performance curves	pag. 4
Type key	pag. 4
Performance table	pag. 4
Pump	pag. 5
Motor	pag. 5
Electrical data	pag. 6
Noise data	pag. 6
DIAGRAM AND ELECTRIC CONNECTIONS	pag. 7
Single phase motor	pag. 7
Three phase motor	pag. 7
PERFORMANCE CURVES 2 POLES	pag. 8
LPS 25	pag. 8
LPS 32	pag. 9
LPS 40	pag. 10
LPS 50	pag. 11
CONSTRUCTION	pag. 12
Exploded view and list of components	pag. 12
Mechanical seal	pag. 13
DIMENSIONS	pag. 14
Dimensional table	pag. 14
INSTALLATION	pag. 15
Possible positions of installation	pag. 15
Not permitted positions of installation	pag. 15



LPS

IN-LINE CENTRIFUGAL PUMPS IN AISI 304

SPECIFICATIONS



APPLICATIONS

- Washing systems.
- Water treatment systems.
- Pumping of fluids reasonably aggressive.
- Conditioning systems.
- Heating systems.
- Food systems.
- Textile machines.

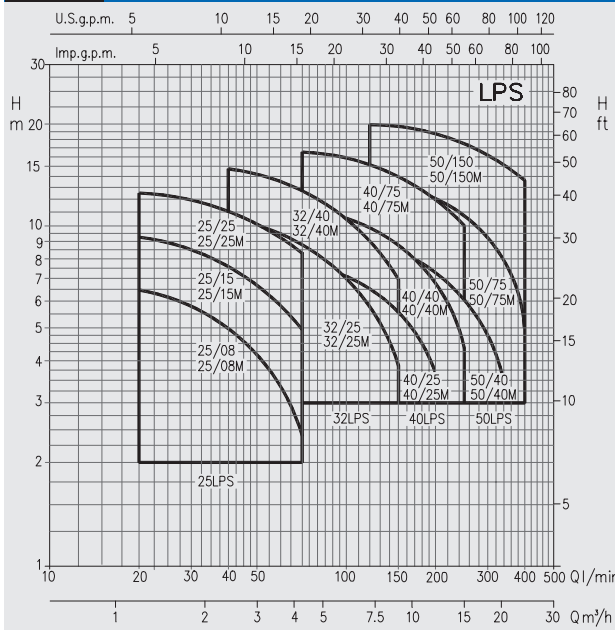
TECHNICAL FEATURES

- Hydraulic robust construction.
- Low noise.
- Compact dimensions.
- Totally in AISI 304.

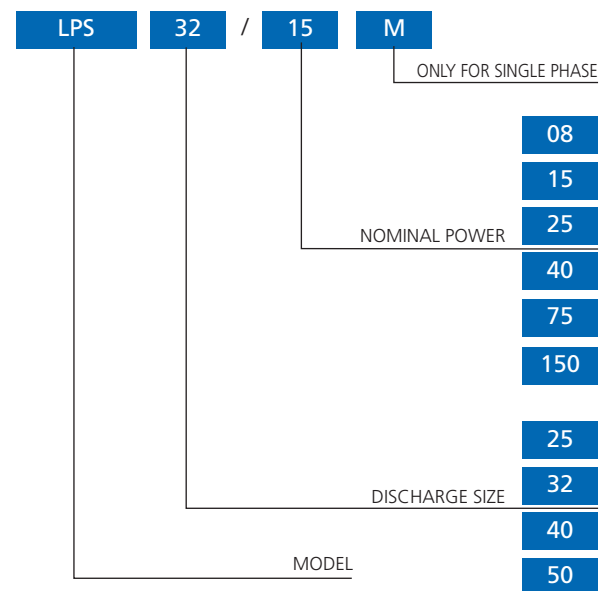
TECHNICAL DATA

- Total capacity up to 25 m³/h
- Total head up to 21 m
- Temperature: -10°C ÷ 100°C
- Max pressure: 4 bar

PERFORMANCE CURVES



TYPE KEY



PERFORMANCE TABLE

Pumps type		Power		Q=Capacity												
Single-phase	LPS	Three-phase	kW	HP	H=Total manometric head in meters											
					l/min m ³ /h	20 0	40 2,4	70 4,2	100 6	120 7,2	150 9	200 12	250 15	320 19,2	400 24	
LPS 25/08M	LPS 25/08	LPS 25/08	0,08	0,1	6,5	5	2,4	-	-	-	-	-	-	-	-	-
LPS 25/15M	LPS 25/15	LPS 25/15	0,15	0,2	9,3	7,8	4,9	-	-	-	-	-	-	-	-	-
LPS 25/25M	LPS 25/25	LPS 25/25	0,25	0,33	12,5	11,1	8,4	-	-	-	-	-	-	-	-	-
LPS 32/25M	LPS 32/25	LPS 32/25	0,25	0,33	-	10,7	9,1	7,2	5,9	3,9	-	-	-	-	-	-
LPS 32/40M	LPS 32/40	LPS 32/40	0,4	0,5	-	14,5	12,7	10,6	9,2	7	-	-	-	-	-	-
LPS 40/25M	LPS 40/25	LPS 40/25	0,25	0,33	-	-	7,8	7,1	6,6	5,6	3,7	-	-	-	-	-
LPS 40/40M	LPS 40/40	LPS 40/40	0,4	0,5	-	-	-	11,3	10,4	9,9	8,7	6,9	4,4	-	-	-
LPS 40/75M	LPS 40/75	LPS 40/75	0,75	1	-	-	-	16,6	16	15,2	4,1	12,3	10,1	-	-	-
LPS 50/40M	LPS 50/40	LPS 50/40	0,4	0,5	-	-	-	-	-	9,1	8,8	7,4	5,9	3,5	-	-
LPS 50/75M	LPS 50/75	LPS 50/75	0,75	1	-	-	-	-	-	13,8	13,3	12,3	10,7	8,5	5	-
LPS 50/150M	LPS 50/150	LPS 50/150	1,5	2	-	-	-	-	-	19,8	19,3	18,7	17,8	16	13,7	-

LPS**IN-LINE CENTRIFUGAL PUMPS**
IN AISI 304**SPECIFICATIONS**

PUMP		
Liquid Handled	Type of liquid	Clean water
	Max temperature [°C]	100
Min suction pressure	[MPa]	-0,6 at 35° C
Max positive suction pressure	[MPa]	0,2 (All models single phase)
		0,2 (LPS 25 three phase)
		0,4 (LPS 32, 40, 50 three phase)
Construction	Impeller	Closed centrifugal
	Shaft seal type	Mechanical seal
Pipe Connection	Bearing	Sealed ball bearing
	Suction/flange	From DN 25 up to DN 50
	Discharge/flange	From DN 25 up to DN 50
Material	Casing	AISI 304
	Impeller	AISI 304
	Casing cover	AISI 304
	Shaft seal	Ceramic/Carbon/NBRH
	Shaft	AISI 303 (wet extension)
Applicable standard of test		ISO 9906 -Annex A

MOTOR			
Type		Electric - TEFC	
		Single Phase	Three Phase
No. of Poles		2	
Synchronous speed	[min ⁻¹]	2900	
Insulation Class		Class F	
Protection degree		IP 55	
Power rating	[kW]	0,08 ÷ 1,5	
	[HP]	0,1 ÷ 2	
Frequency	[Hz]	50	
Voltage	[V]	230 ±10%	230/400 ±10%
Capacitor		Built in	-
Over load protection		Built in	User to provided
Motor bracket		Aluminium	
Dimensions of cable entry		PG 11 - PG 13.5	

Standard motors for ambient temperatures till 40°C and altitude till 1000 m.
For different applications, please contact our Sales Network.



LPS

IN-LINE CENTRIFUGAL PUMPS IN AISI 304

SPECIFICATIONS

ELECTRICAL DATA

TYPE PUMPS		kW	HP	CAPACITOR		INPUT		FULL LOAD CURRENT		
Single Phase 230 V 50 Hz	Three Phase 230-400 V 50 Hz			Single Phase μF	V_c	Single Phase [kW]	Three Phase	Single Phase	Three Phase [A]	
								230 V	400 V	
LPS 25/08M	LPS 25/08	0,08	0,1	12,5	450	0,29	0,27	1,51	1,7	1,01
LPS 25/15M	LPS 25/15	0,15	0,2	12,5	450	0,34	0,33	1,67	1,8	1,03
LPS 25/25M	LPS 25/25	0,25	0,33	12,5	450	0,45	0,44	2,04	1,9	1,11
LPS 32/25M	LPS 32/25	0,25	0,33	12,5	450	0,43	0,41	2,0	1,8	1,03
LPS 32/40M	LPS 32/40	0,4	0,5	12,5	450	0,62	0,63	2,74	2,2	1,25
LPS 40/25M	LPS 40/25	0,25	0,33	12,5	450	0,43	0,42	1,98	1,9	1,09
LPS 40/40M	LPS 40/40	0,4	0,5	12,5	450	0,62	0,63	2,75	2,2	1,25
LPS 40/75M	LPS 40/75	0,75	1	25	450	1,07	1,04	4,86	4,0	2,29
LPS 50/40M	LPS 50/40	0,4	0,5	12,5	450	0,62	0,61	2,74	2,2	1,25
LPS 50/75M	LPS 50/75	0,75	1	25	450	1,08	1,04	4,9	3,9	2,26
LPS 50/150M	LPS 50/150	1,5	2	35	450	1,82	1,78	8,07	5,7	3,31

NOISE DATA EMITTED BY PUMPS

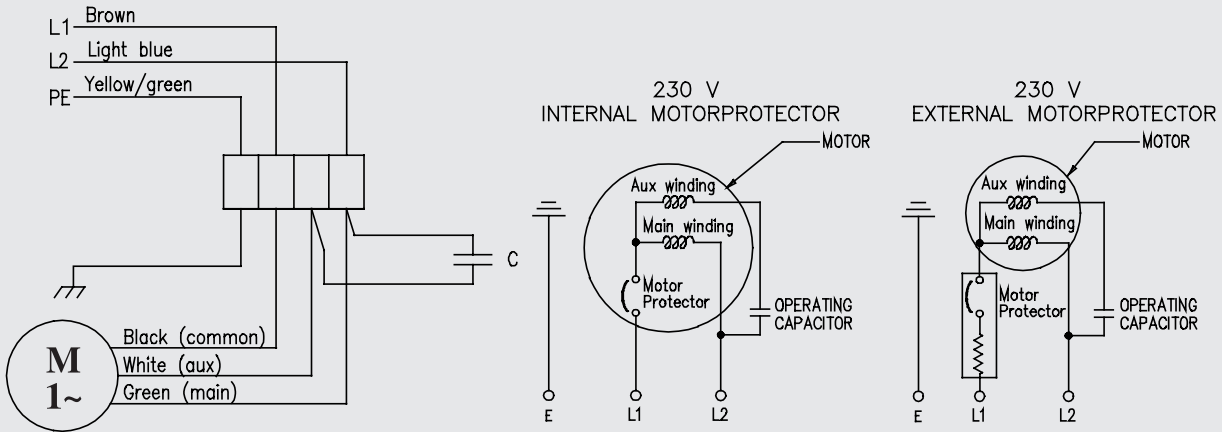
PUMP	MOTOR		50 Hz	
	Power kW	Size Mec	LpA - dB (A)*	LwA - dB (A)**
25/08	0.08	71	60	69
25/15	0.15	71	60	69
25/25	0.25	71	60	69
32/25	0.25	71	61	70
40/25	0.25	71	61	70
32/40	0.40	71	61	70
40/40	0.40	71	61	70
50/40	0.40	71	62	71
40/75	0.75	71	62	71
50/75	0.75	71	63	72
50/150	1.5	80	65	74

* Sound pressure level - Mean value of several measures at 1m distance around the pump of free field conditions. Tolerance ± 2.5 dB.

** Sound power level. Tolerance ± 2.5 dB.

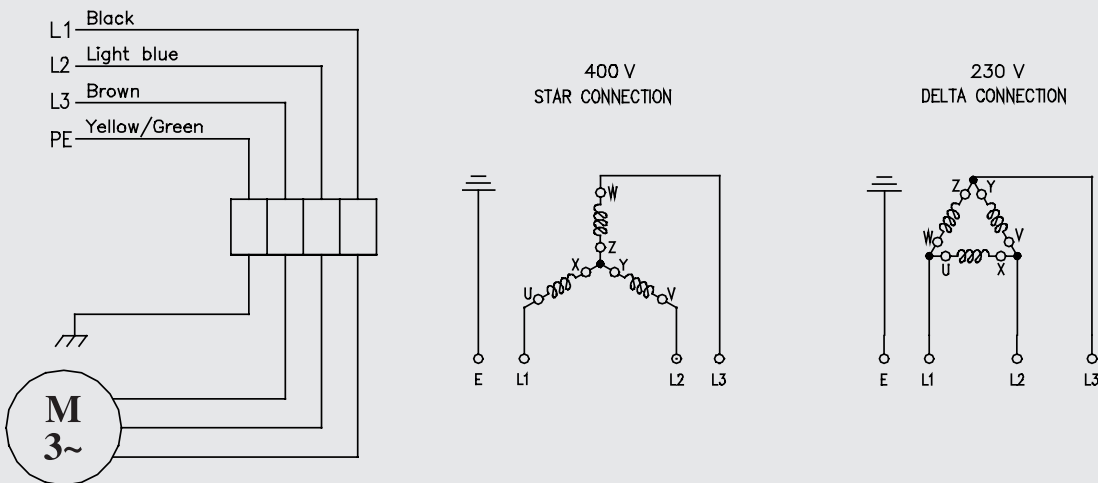


SINGLE PHASE MOTOR



- FOR MODEL**
- LPS 25/08M
 - LPS 25/15M
 - LPS 25/25M
 - LPS 32/25M
 - LPS 32/40M
 - LPS 40/25M
 - LPS 40/40M
 - LPS 40/75M
 - LPS 50/40M
 - LPS 50/75M
 - LPS 50/150M

THREE PHASE MOTOR





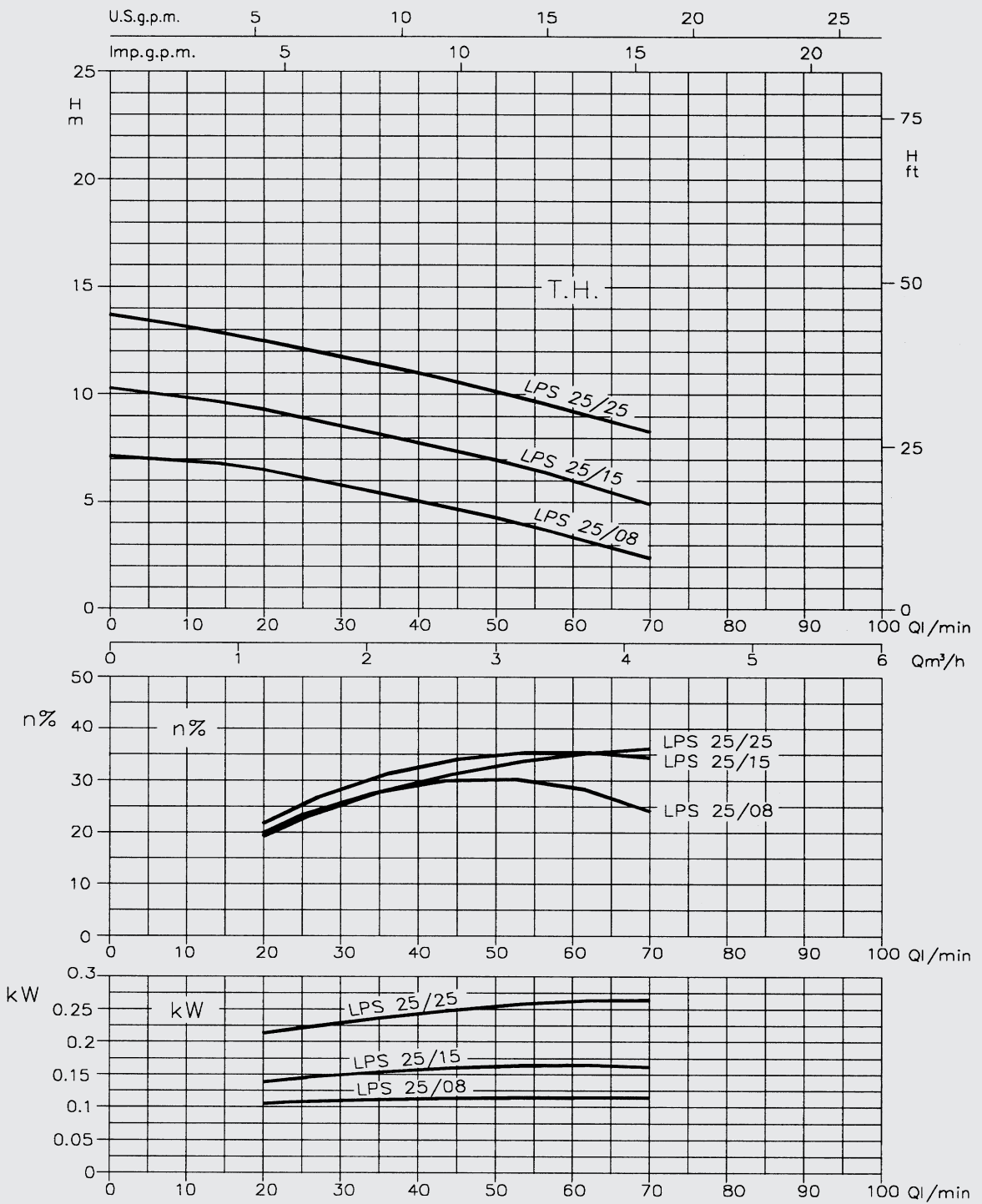
LPS

IN-LINE CENTRIFUGAL PUMPS IN AISI 304

PERFORMANCE CURVES 2 POLES

LPS 25

2900 min⁻¹



The all hydraulic performances indicated refer to the tests executed with water at 20°C according to standard ISO 9906, annex A.

LPS

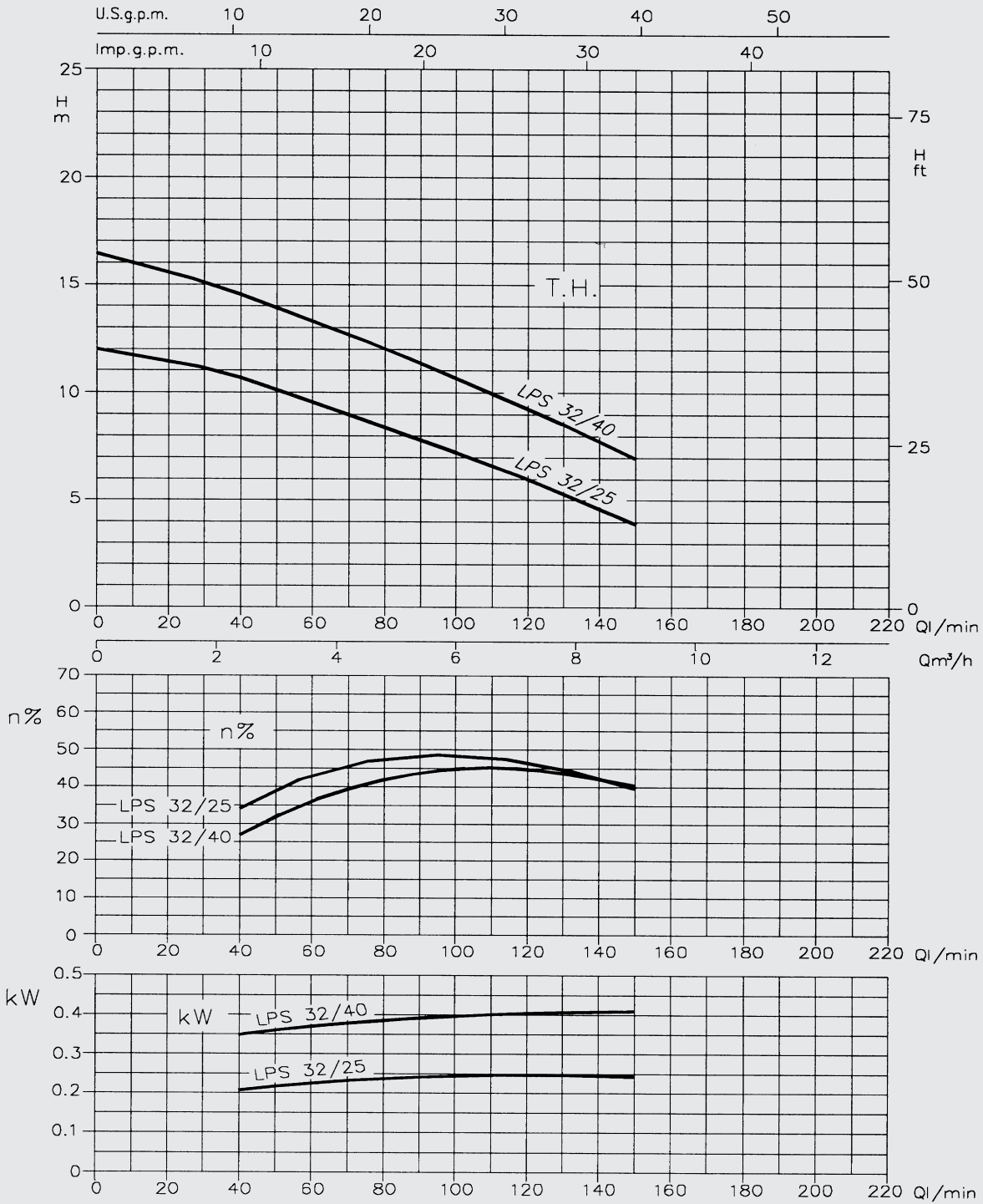
IN-LINE CENTRIFUGAL PUMPS
IN AISI 304

PERFORMANCE CURVES 2 POLES



LPS 32

2900 min⁻¹





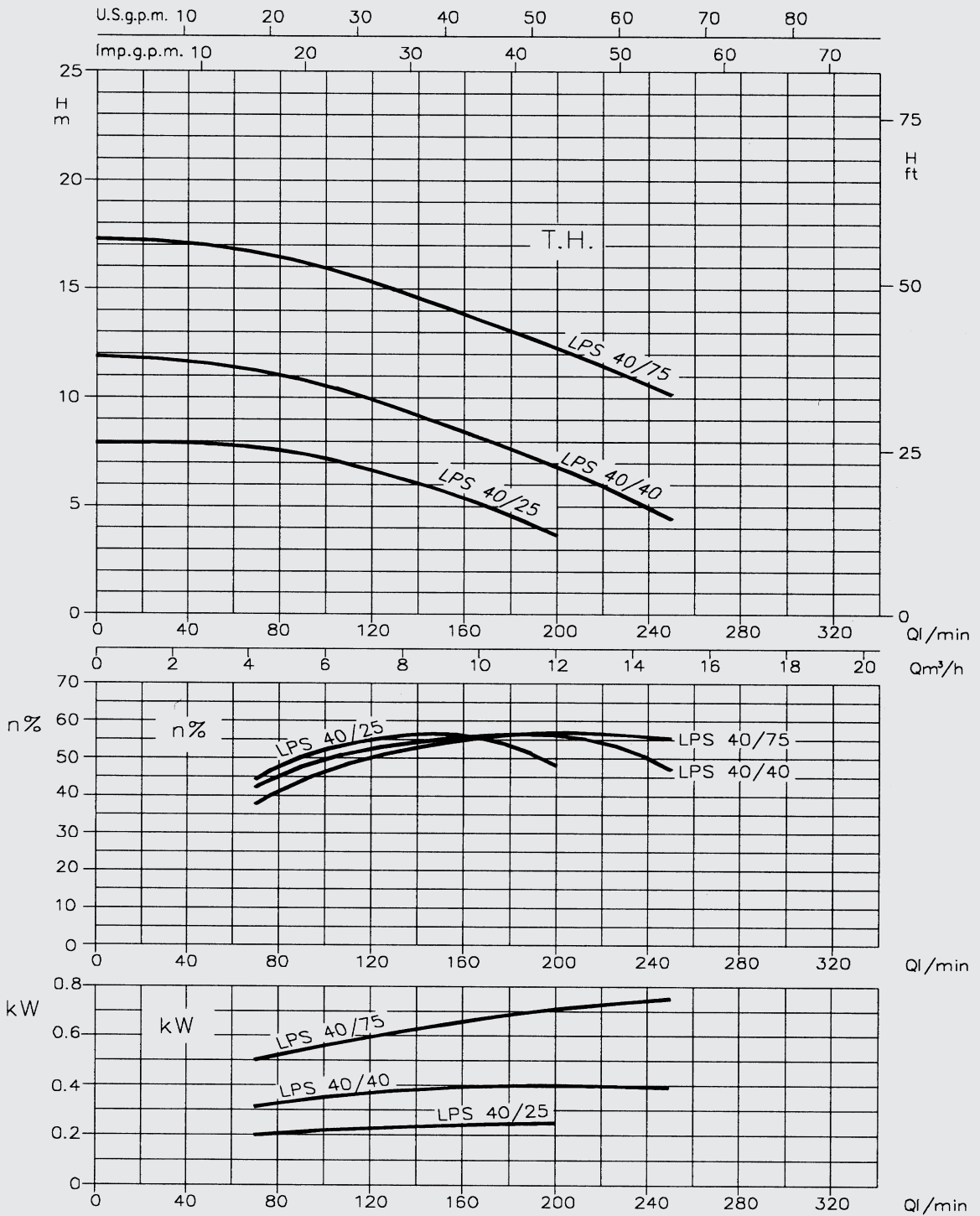
LPS

IN-LINE CENTRIFUGAL PUMPS IN AISI 304

PERFORMANCE CURVES 2 POLES

LPS 40

2900 min⁻¹



LPS

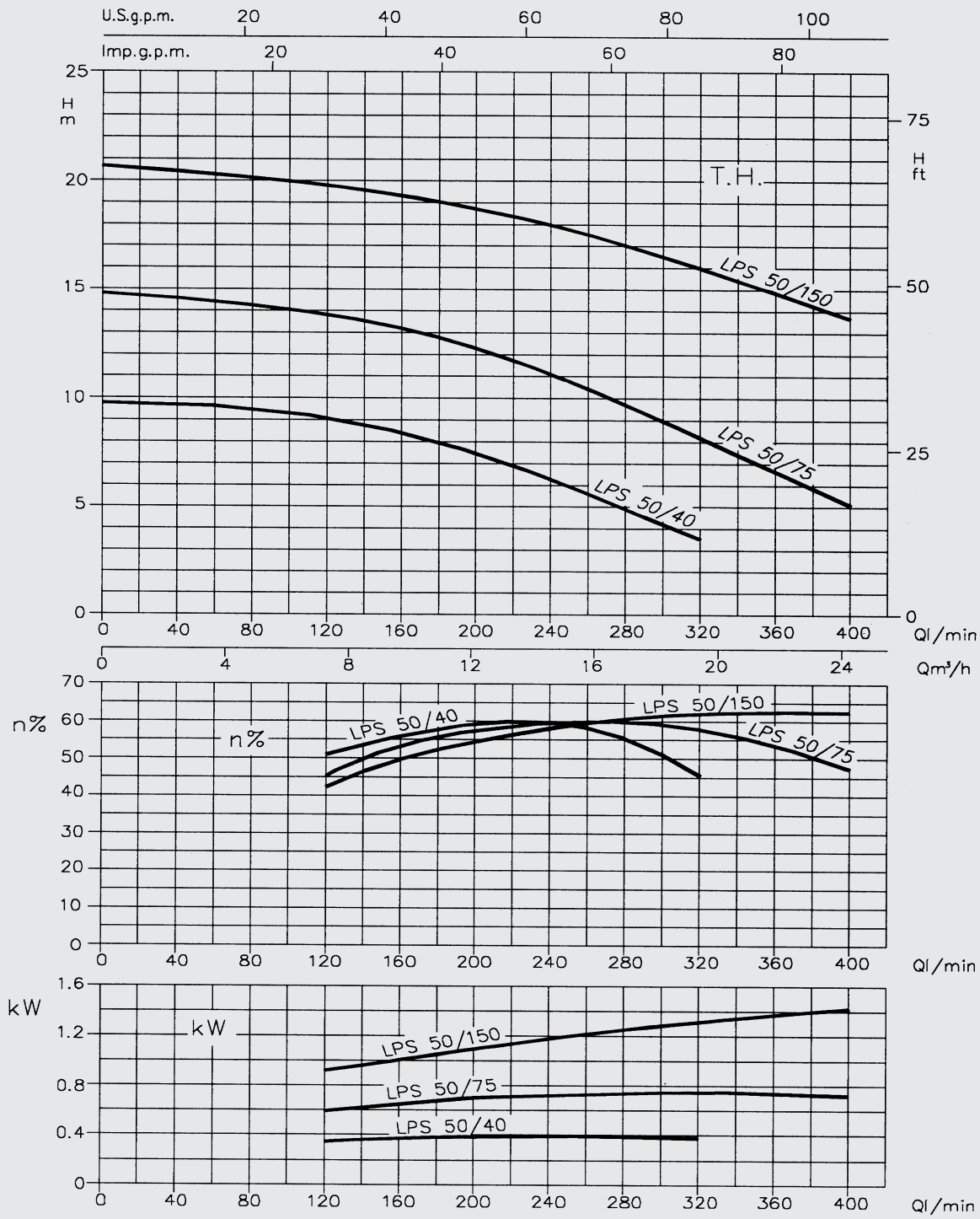
IN-LINE CENTRIFUGAL PUMPS
IN AISI 304

PERFORMANCE CURVES 2 POLES

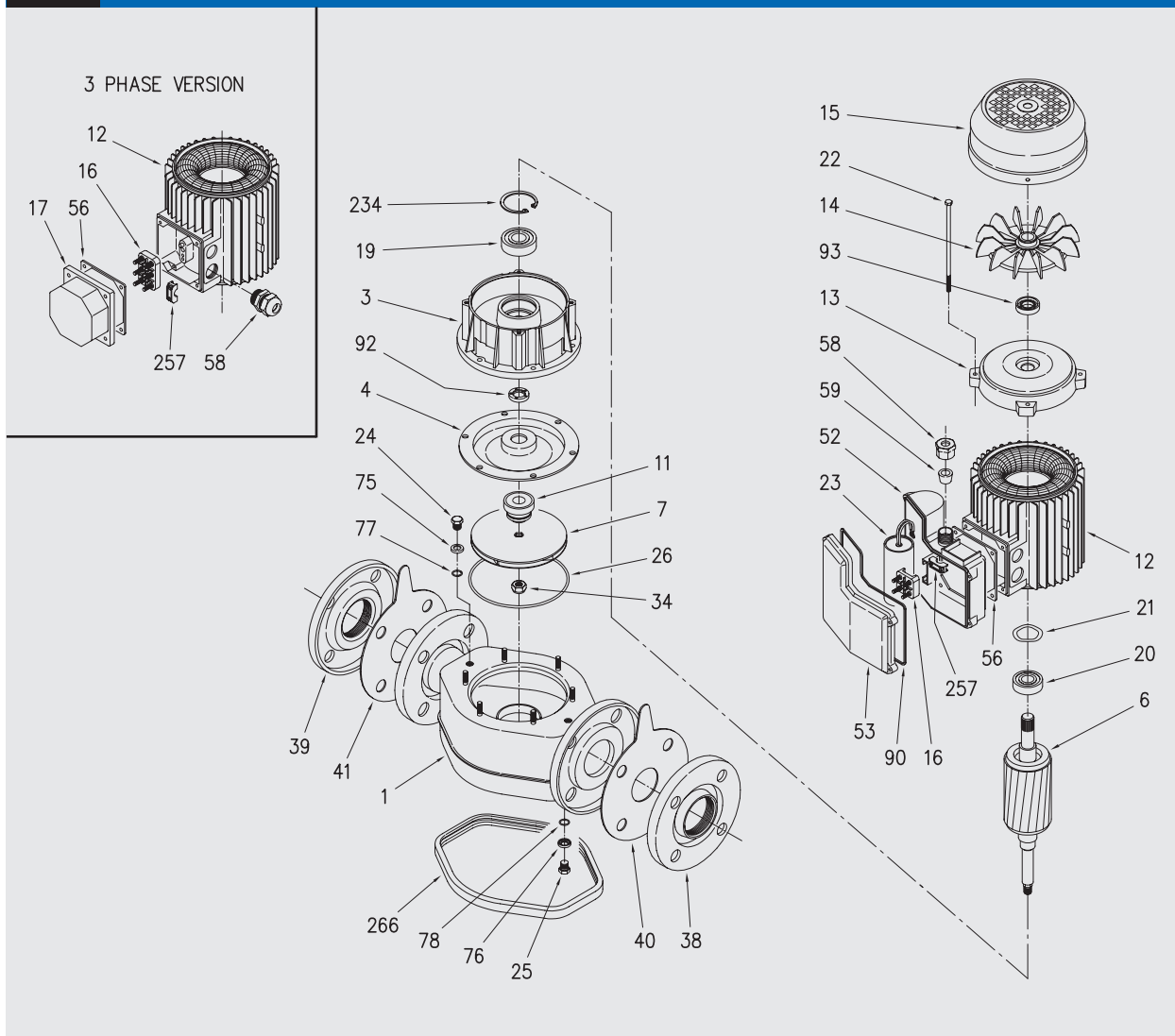


LPS 50

2900 min⁻¹



EXPLODED VIEW AND LIST OF COMPONENTS



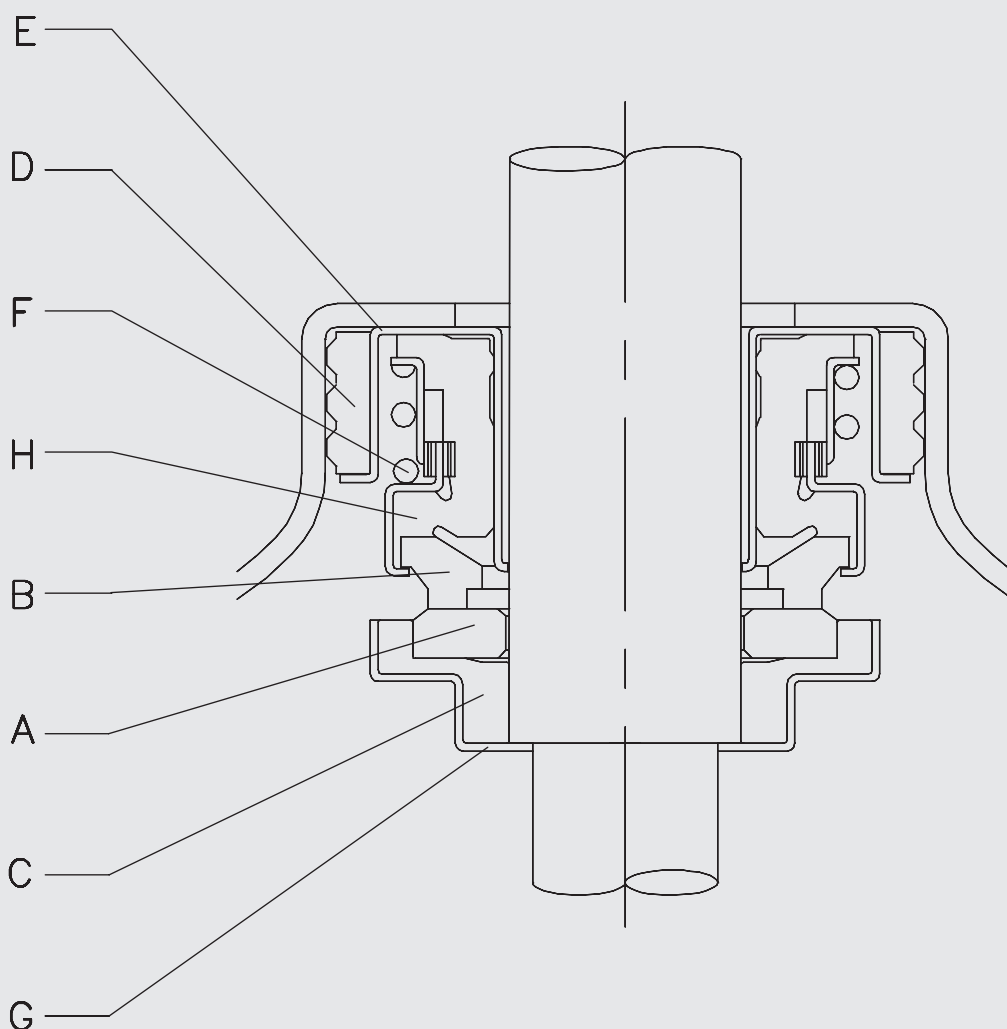
N°	PART NAME	MATERIAL	Q.TY	N°	PART NAME	MATERIAL	Q.TY
1	Casing	AISI 304	1	23	Capacitor [1]	-	1
3	Motor bracket	Aluminium	1	24	Priming plug	Brass	2
4	Casing cover	AISI 304	1	25	Drain plug	Brass	1
6	Shaft with rotor	AISI 303 (Part in contact with liquid)	1	26	O-ring	NBR	1
7	Impeller	AISI 304	1	34	Impeller nut	AISI 304	1
11	Mechanical seal	Carbon/Ceramic/NBR	1	52	Terminal box [1]	Polypropilene	1
12	Motor frame with stator	-	1	56	Box gasket	NBR	1
13	Motor cover	Aluminium	1	75	Washer	AISI 304	2
14	Fan	Polypropilene	1	76	Washer	AISI 304	1
15	Fan cover	Fe P04 Zinked	1	77	O-ring	NBR	2
16	Terminal box	-	1	78	O-ring	NBR	1
17	Terminal box cover [2]	Aluminium	1	90	Cover gasket	NBR	1
19	Pump side ball bearing	-	1	92	Lip seal	NBR	1
20	Fan side ball bearing	-	1	93	Lip seal	NBR	1
21	Adjusting ring	Steel C70	1	110	Motor protector [3]	-	1
22	Tie rod	Fe 42 Zinked	4	234	seeger ring	Carbon steel	1

[1] Only for Single Phase

[2] Only for Three Phase

[3] Only for single phase: LPS 50/150M

MECHANICAL SEAL



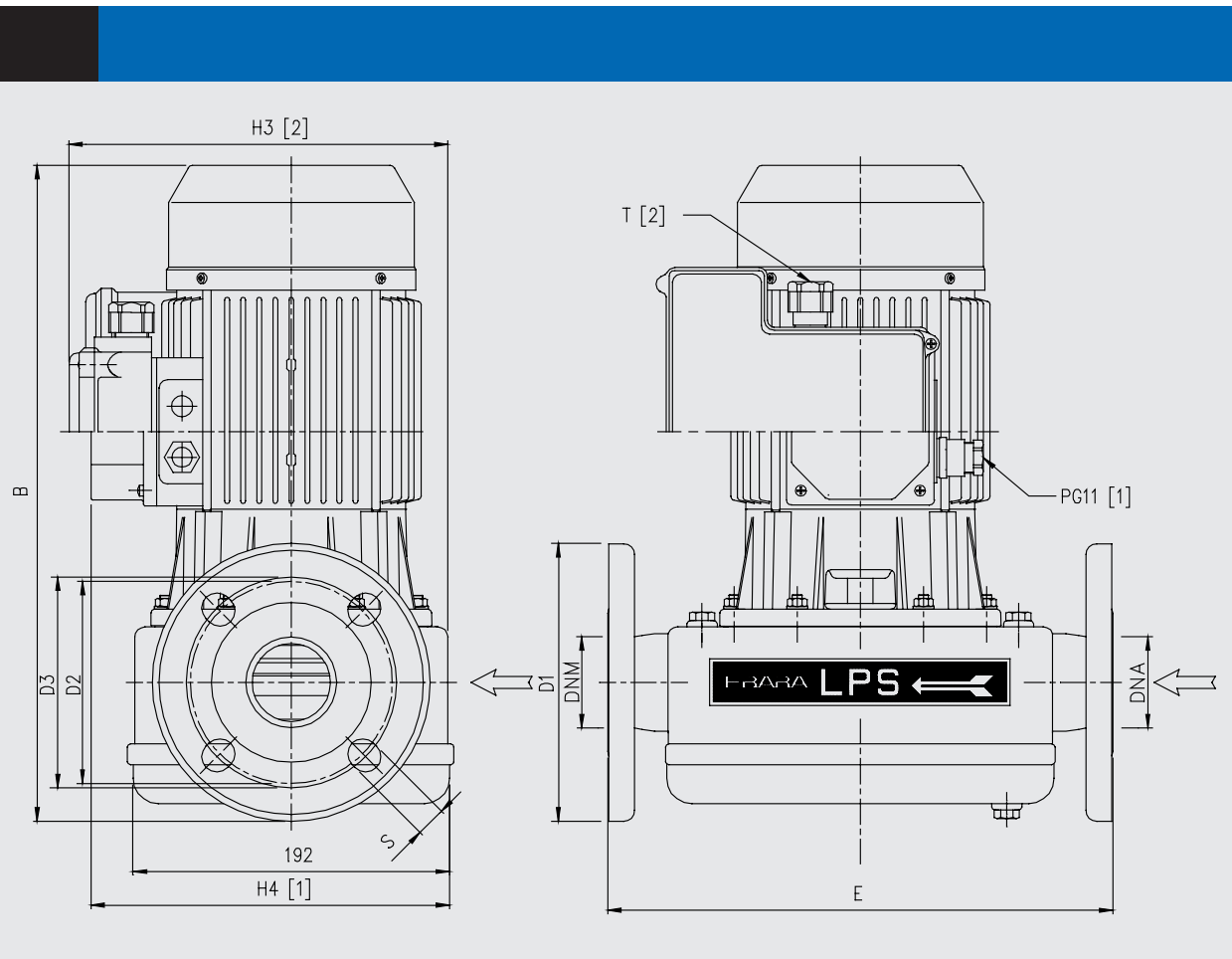
REF	PART NAME	MATERIAL product standard
A	Rotary seal ring	ceramic
B	Stationary seal ring	carbon graphite
C	Cup Gasket	NBRH
D	Seat ring	NBRH
E	Case	AISI 304
F	Self driving spring	AISI 304
G	Case	AISI 304
H	Bellows	NBRH



LPS

IN-LINE CENTRIFUGAL PUMPS IN AISI 304

DIMENSIONS

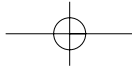


DIMENSIONAL TABLE

PUMP TYPE		DIMENSIONS [mm]										
Single Phase	Three phase	E	B	H3	H4	T	DNA	DNM	D1	D2	D3	S
LPS 25/08M	LPS 25/08	300	320,5	181	171	PG11	25	25	115	85	85	14
LPS 25/15M	LPS 25/15	300	320,5	181	171	PG11	25	25	115	85	85	14
LPS 25/25M	LPS 25/25	300	320,5	181	171	PG11	25	25	115	85	85	14
LPS 32/25M	LPS 32/25	305	340	181	171	PG11	32	32	140	100	100	18
LPS 32/40M	LPS 32/40	305	340	181	171	PG11	32	32	140	100	100	18
LPS 40/25M	LPS 40/25	305	345	181	171	PG11	40	40	150	105	110	18
LPS 40/55M	LPS 40/55	305	345	181	171	PG11	40	40	150	105	110	18
LPS 40/75M	LPS 40/75	305	345	181	171	PG11	40	40	150	105	110	18
LPS 50/55M	LPS 50/55	310	357,5	181	171	PG11	50	50	165	120	125	18
LPS 50/75M	LPS 50/75	310	357,5	181	171	PG11	50	50	165	120	125	18
LPS 50/150M	LPS 50/150	310	389,5	213	194	PG13.5	50	50	165	120	125	18

[1] Only for Three Phase

[2] Only for Single Phase



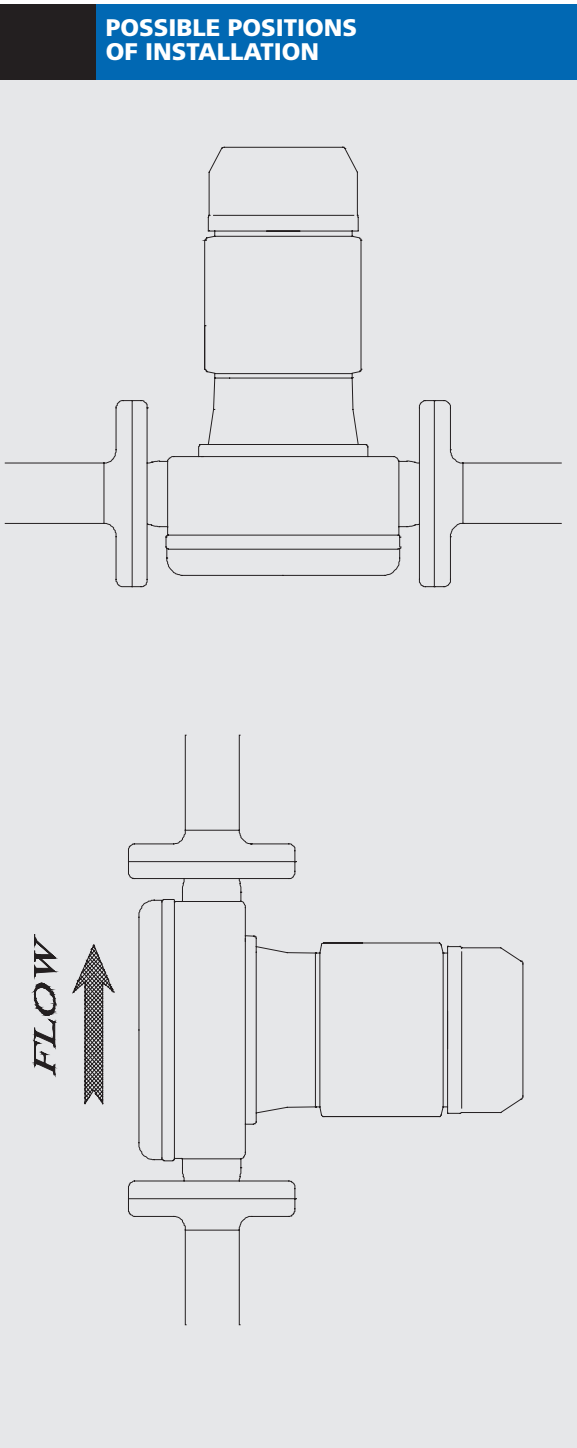
LPS

IN-LINE CENTRIFUGAL PUMPS
IN AISI 304

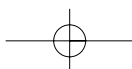
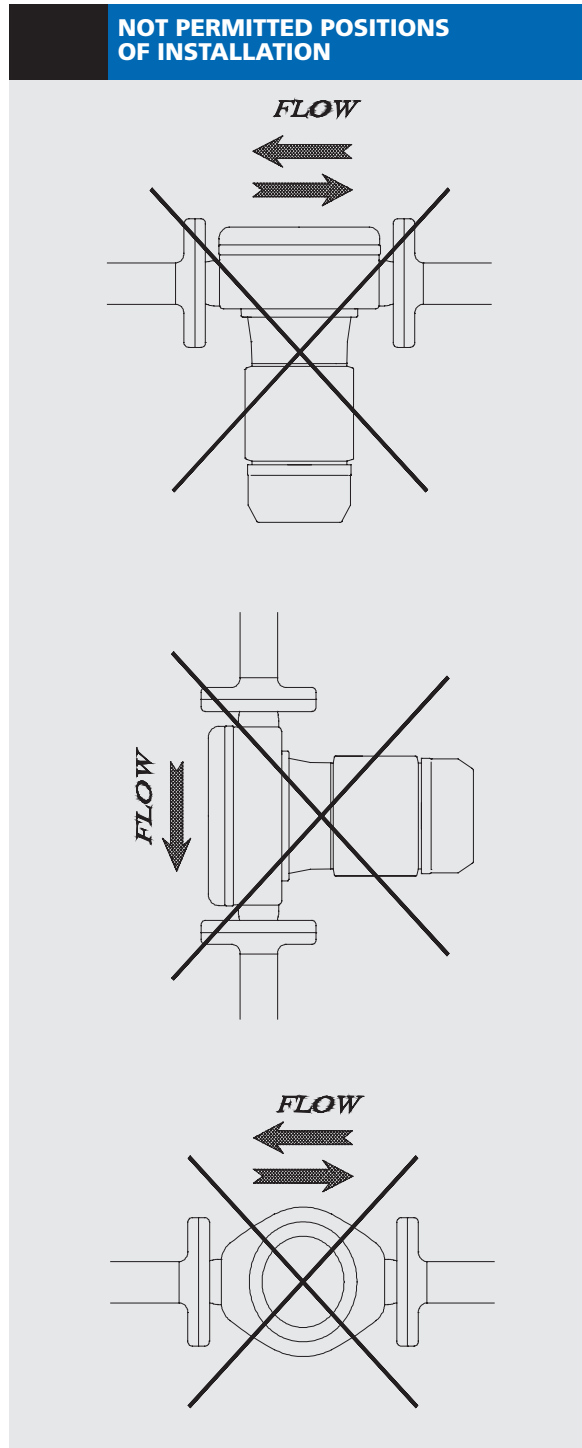
INSTALLATION



POSSIBLE POSITIONS OF INSTALLATION



NOT PERMITTED POSITIONS OF INSTALLATION



www.ebara.eu



EBARA PUMPS EUROPE S.p.A.
Via Pacinotti, 32
36040 BRENDOLA (VICENZA), Italy
Phone: +39-0444-706811
Fax: +39-0444-706950
Plants: Cles, Brendola
www.ebara.eu

cod. 479705359 REV. 01/05

EBARA PUMPS EUROPE S.p.A. reserves the right to make modifications without prior notice: all specifications could be subject to change