

ShinMaywa

Submersible Pumps

(Non-Clogging Type with Built-in Chopper) CJ Series



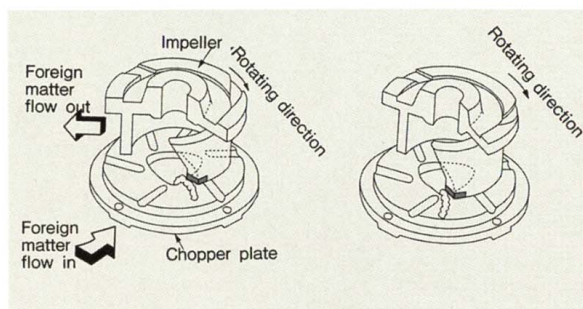
Pumps with Built-in Chopper

The CJ series has a built-in chopper for 'chopping' foreign matter which can cause the pump to be clogged or tangled.

Uses

- For treating raw water at combination treatment plants
- For use with drainage and sanitary equipment of buildings

Chopper Mechanism



The chopper mechanism consists of a grooved chopper plate (bottom cover) and cutter chip impeller. The foreign matter will be cut as shown in the above illustration.



CJ Series



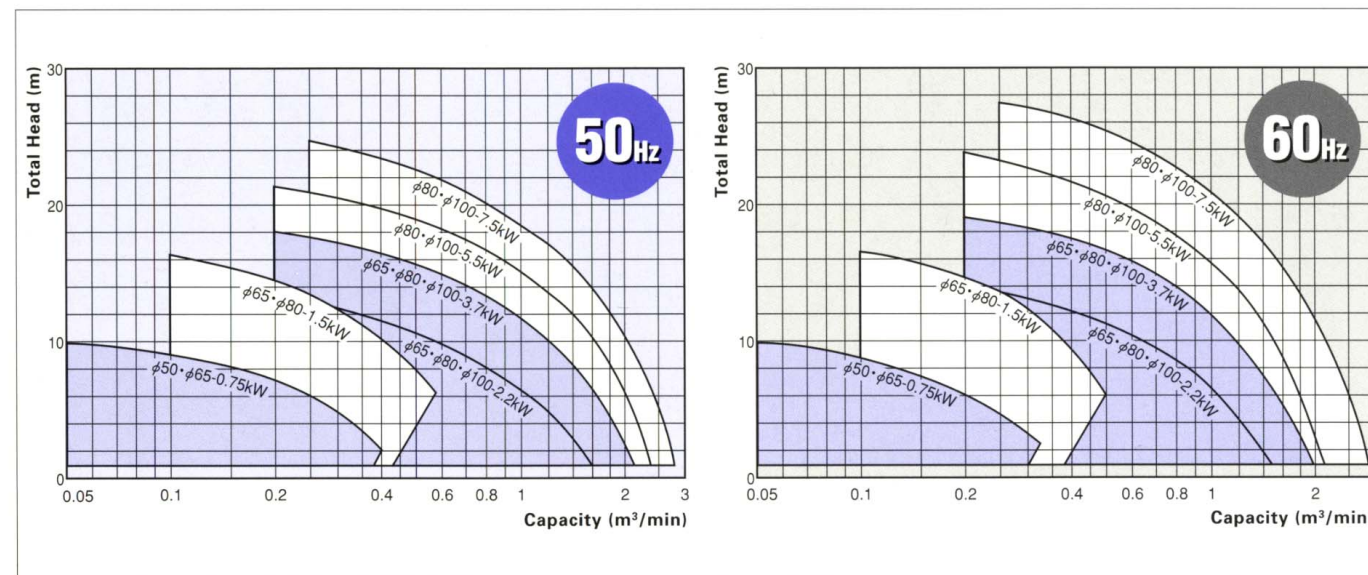
Bore
50 ~ 100mm
Output
0.75 ~ 7.5kW
Phase
3ph

Standard Specifications

Bore mm	Pump Model	Connection Part No.		Output kW	Pole	Capacity-Total Head m ³ /min		Impeller Passage Size mm×mm		Weight (Bare Pump) kg		
		Automatic Connection	Flange Connection			50Hz	60Hz	50Hz	60Hz			
50	CJ501	P50	F50	0.75	2	[1] 0.2 - 7.2	[2] 0.2 - 6.1	41×37	41×31	19.5		
						[3] 0.15 - 5.1	[4] 0.15 - 4.9	36×31	36×24			
65	CJ501	P65B	F65B	0.75	2	[1] 0.2 - 7.2	[2] 0.2 - 6.1	41×37	41×31	19.5		
	CJ651	P65	F65	1.5	2	[3] 0.15 - 5.1	[4] 0.15 - 4.9	36×31	36×24			
				2.2	4	0.4 - 10.2	0.4 - 9.3	43×41	43×36	29		
				3.7		0.8 - 8.2	0.8 - 8.5	54×60	53×60	58		
80	CJ80	P80B	F80	1.5	2	1.0 - 11.7	1.0 - 11.8	53×60	54×60	70		
	CJ651			P80	F80	1.5	2	0.4 - 10.2	0.4 - 9.3	43×41	43×36	29
	CJ80			P80B	F80	2.2	4	0.8 - 8.2	0.8 - 8.5	54×60	53×60	58
						3.7		1.0 - 11.7	1.0 - 11.8	53×60	54×60	70
						5.5		1.2 - 13.6	1.2 - 13.6	61×60	53×60	95
7.5	1.4 - 15.6	1.4 - 17.4	67×60	60×60	108							
100	CJ80	P100B	F100	2.2	4	0.8 - 8.2	0.8 - 8.5	54×60	53×60	58		
				3.7		1.0 - 11.7	1.0 - 11.8	53×60	54×60	70		
	CJ100			5.5		1.2 - 13.6	1.2 - 13.6	61×60	53×60	95		
				7.5		1.4 - 15.6	1.4 - 17.4	67×60	60×60	108		

*The starting method is 'direct-on-line start.' (Note)Specify both pump model and connection part No. to contact the dealer. *Figures in brackets indicate code number of impellers.

Performance Curves



Main Specification

Handling Liquid	Kind of Liquid	Waste Water and Sewage including Sludge
Material	Cable	VCT
	Motor Shaft	SUS 420J2
	Pump Casing	Gray Cast Iron (FC200)
	Impeller	Gray Cast Iron (FC200)
Electric Motor	Type	Dry-type Submersible Induction Motor
	Insulation Class	Class E
	Enclosure	IP68
	Phase	Three Phase
	Voltage	According to the specifications

Special Specification

Cable Extension	Length of Cable 15-20-30m	
Material Change	Impeller	stainless steel casting or According to the specifications
	Base Cover	
	Lifting Chain	stainless steel (SUS304)
Motor Protector	Micro-Thermal Protector Moisture Detector	
Insulation Class	Class F	

Standard Accessories

- Power Cable 1
6m for 0.75kW / 8m for 1.5kW~7.5kW

Automatic Connection Set

- Connection
- Sliding bracket
- Guide holder (with bolts and nuts)
- Pump lifting chain (6m)

Bore mm	Connection Part No.	Set Weight kg	Connection Weight kg
50	P50	11	4.5
	P65B	20	14.5
65	P65	24	15
	P80	31.5	20.5
80	P80B	31.5	18
	P100B	40.5	27

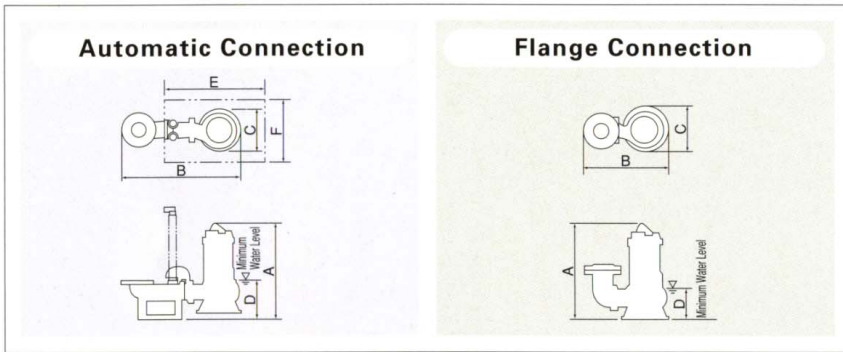
Flange Connection set

- Discharge side flange
- Companion flange (with bolts, nuts and packing)

Bore mm	Connection Part No.	Set Weight kg
50	F50	☆
65	F65B	5.5
	F65	7
80	F80	9.5
100	F100	11

☆Built-in with the pump proper.

Dimensions



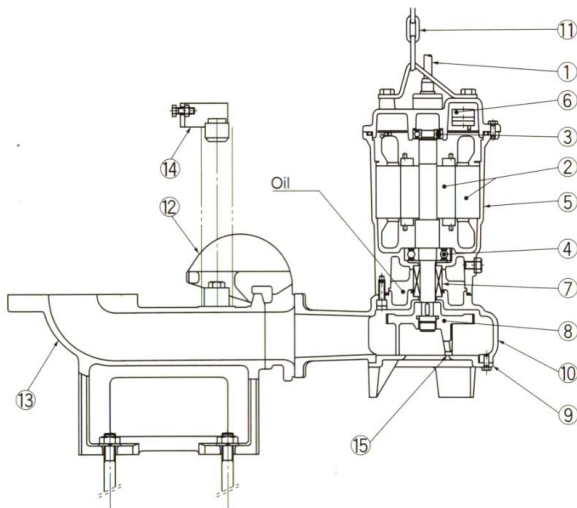
Packing size

Model	Length mm	Width mm	Height mm	
CJ501	330	245	460	
CJ651	295	255	530	
CJ80	2.2kW	440	400	690
	3.7kW	470	430	720
CJ100	540	460	790	

		Model	Connection Part No.	Output kW	A	B	C	D	E	F
Automatic Connection	CJ501	P50	0.75	460	474	220	180	550	350	
		P65B			547					
	CJ651	P65	1.5	530	663	192	215	550	350	
		P80			739					
	CJ80	P65	2.2	580	754	292	220	600	500	
					3.7					
		P80B	2.2	620	830	292	260	600	500	
					3.7					
		P100B	2.2	620	843	292	260	600	500	
					3.7					
	CJ100	P80B	5.5	710	907	355	260	700	600	
				7.5	745					
P100B		5.5	710	920	355	260	700	600		
			7.5	935						

		Model	Connection Part No.	Output kW	A	B	C	D
Flange Connection	CJ501	F50	0.75	414	276	220	135	
		F65B			371			
	CJ651	F65	1.5	454	418	192	140	
		F80			433			
	CJ80	F65	2.2	550	509	292	190	
					3.7			
		F80	2.2	550	524	292	190	
					3.7			
		F100	2.2	550	541	292	190	
					3.7			
	CJ100	F80	5.5	640	601	355	190	
				7.5	675			
F100		5.5	640	618	355	190		
			7.5	633				

Sectional View



***Note**
 VCT : Polyvinyl-chloride sheathed cabtyre cable
 SUS : Stainless steel
 SS : Mild steel
 FC : Gray iron casting
 WC : Tungsten carbide
 SCS : Stainless steel casting

No.	Part Name	Material
1	Cable	VCT
2	Motor	Shaft=SUS420J ₂
3	Ball Bearing(Upper)	-
4	Ball Bearing(Lower)	-
5	Stator Casing	FC200
6	Thermal Protector	-
7	Mechanical Seal	-
8	Impeller	FC200
9	Suction Cover	FC200
10	Pump Casing	FC200
11	Lifting Chain	SS400
12	Sliding Bracket	FC200
13	Connection	FC200
14	Guide Holder	SCS13 P50/P65B:SUS304 Others :SCS13
15	Cutting Tip	WC

Specifications and dimensions are subject to change without notice.

ShinMaywa Industries, Ltd.

Overseas Sales Department 2-43, Shitte 3-chome, Tsurumi-ku, Yokohama-shi, 230-0003, Japan
 Phone : +81-45-584-1321 Fax : +81-45-584-1320
 E-mail : sales.info@sb.shinmaywa.co.jp

ShinMaywa (America), Ltd.

10737 Gateway West, Suite 112,
 El Paso, Texas 79935, U.S.A.
 Phone : +1-915-594-9862
 Fax : +1-915-594-9866
 E-mail : info@shinmaywaamerica.com

ShinMaywa (Bangkok) Co., Ltd.

105, Sukhumvit 57 Road, Klongton-Nua Sub-district,
 Wattana District, Bangkok Metropolis 10110 Thailand
 Phone : +66-2-382-1331
 Fax : +66-2-392-2057
 E-mail : Bangkok@sa.shinmaywa.co.jp

ShinMaywa (Asia) Pte. Ltd.

51 Goldhill Plaza #14-01
 Singapore 308900
 Phone : +65-6224-0728
 Fax : +65-6224-9678
 E-mail : asia.ad@shinmaywa.com.sg

ShinMaywa (Malaysia) Sdn. Bhd.

Suite 7.3, 7th Floor, Menara Aik Hua, Changkat
 Raja Chulan, 50200 Kuala Lumpur, Malaysia
 Phone : +60-3-2026-2388
 Fax : +60-3-2026-2399
 E-mail : info@shinmaywa.com.my

ShinMaywa (Shanghai) Trading Co., Ltd.

Room3201, Shanghai Maxdo Centre,
 No. 8 Xing Yi Road,
 Hong Qiao Development Zone, Shanghai,
 China 200336
 Phone : +86-21-5208-1375
 Fax : +86-21-5208-1379
 E-mail : miura.t@sb.shinmaywa.co.jp



ShinMaywa ONO PLANT

ISO 9001(No.956445)/ISO 14001(No.771888)