

Centrifugal Pumps

SJ4

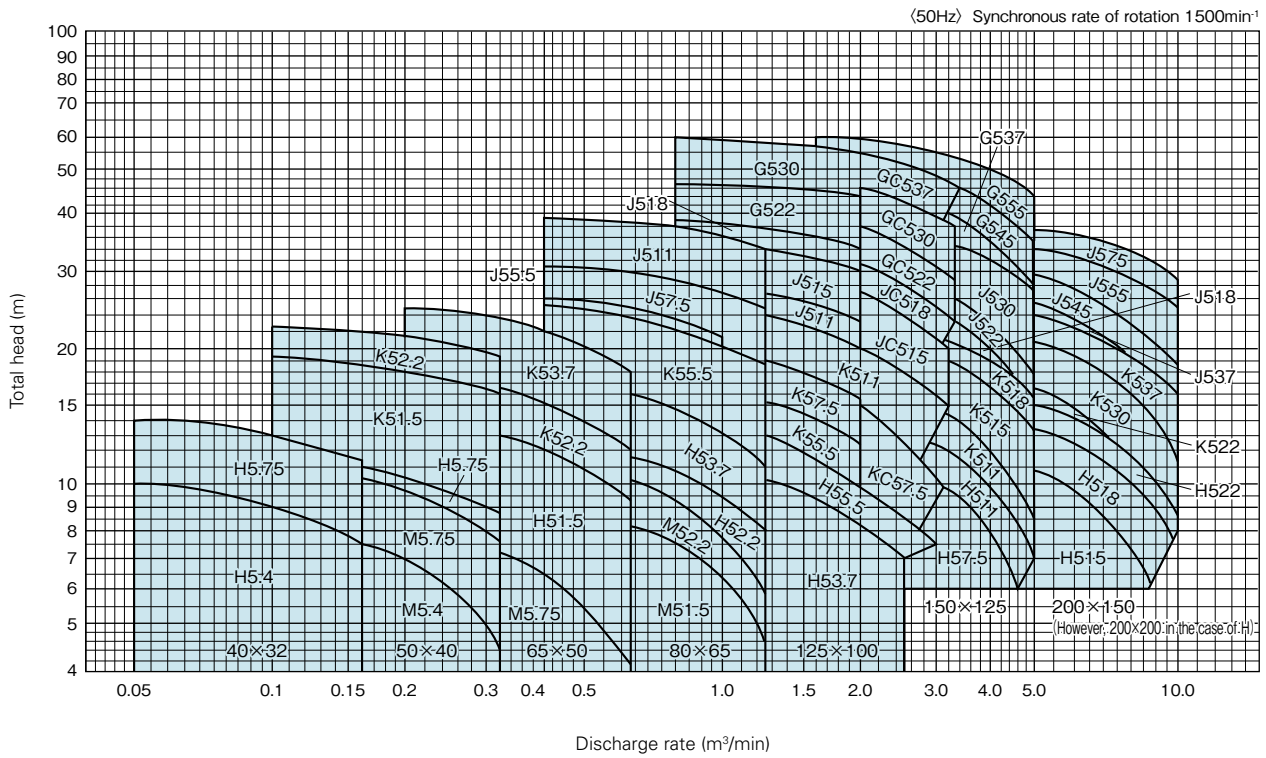
TERAL

50Hz



TERAL INC.

Selection chart

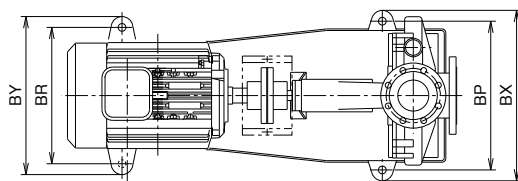


Specifications

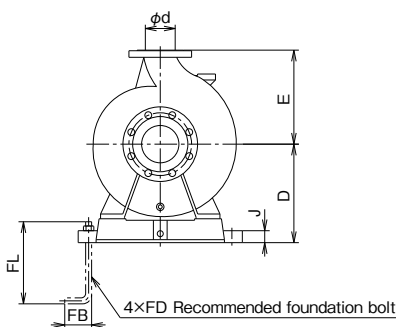
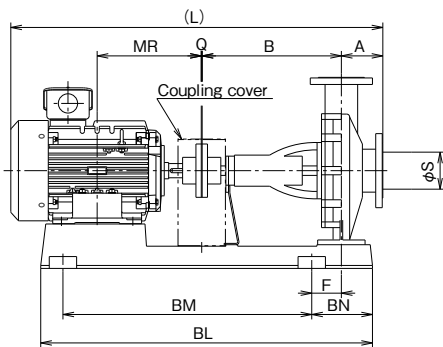
Nominal diameter mm		Model	Output kW	Specification							
				Discharge rate m³/min	Total head m	Discharge rate m³/min	Total head m	Discharge rate m³/min	Total head m	Permissible boost pressure MPa	
40	32	SJ4-40×32H5.4	0.4	0.05	10	0.10	9.2	0.16	7.6	1.00	
		SJ4-40×32H5.75	0.75	0.05	14	0.10	13.1	0.16	11.5	0.96	
50	40	SJ4-50×40M5.4	0.4	0.10	8.3	0.20	7.0	0.32	4.4	1.01	
		SJ4-50×40M5.75	0.75	0.10	10.7	0.20	9.8	0.32	7.7	0.99	
		SJ4-50×40H5.75	0.75	0.10	11.3	0.20	10.6	0.32	8.8	0.99	
		SJ4-50×40K51.5	1.5	0.10	19.4	0.20	18.1	0.32	16.1	0.90	
		SJ4-50×40K52.2	2.2	0.10	22.6	0.20	21.3	0.32	19.4	0.87	
		SJ4-50×40M5.75	0.75	0.20	8.3	0.40	6.6	0.63	4.0	1.01	
65	50	SJ4-65×50H51.5	1.5	0.20	14	0.40	12.4	0.63	9.5	0.96	
		SJ4-65×50K52.2	2.2	0.20	17.6	0.40	15.6	0.63	12.2	0.92	
		SJ4-65×50K53.7	3.7	0.20	24.7	0.40	22.6	0.63	18.3	0.85	
		SJ4-65×50M51.5	1.5	0.40	8.9	0.80	7.6	1.25	4.5	1.01	
80	65	SJ4-80×65M52.2	2.2	0.40	11.2	0.80	9.5	1.25	5.8	0.99	
		SJ4-80×65H52.2	2.2	0.40	12.3	0.80	11	1.25	8.0	0.98	
		SJ4-80×65H53.7	3.7	0.40	16.5	0.80	15	1.25	11	0.93	
		SJ4-80×65K55.5	5.5	0.40	24.7	0.80	22.7	1.25	18.9	0.85	
		SJ4-80×65J55.5	5.5	0.40	26	1.00	21.5	—	—	0.83	
		SJ4-80×65J57.5	7.5	0.40	30.7	0.80	28.8	1.25	24.4	0.79	
		SJ4-80×65J51.1	11	0.40	39.5	0.80	37.5	1.25	34.5	0.71	
		SJ4-125×100H53.7	3.7	0.80	11	1.60	9.5	2.50	7.0	1.26	
125	100	SJ4-125×100H55.5	5.5	0.80	14.9	1.60	13	3.00	7.5	1.22	
		SJ4-125×100K55.5	5.5	0.80	16.2	1.60	14.2	2.00	12.7	1.20	
		SJ4-125×100K57.5	7.5	0.80	19.7	1.60	17.6	2.00	16	1.17	
		SJ4-125×100KC57.5	7.5	2.00	15	2.50	12.6	3.10	10	1.20	
		SJ4-125×100K51.1	11	0.80	24.5	1.60	22.6	3.20	15	1.12	
		SJ4-125×100J51.1	11	0.80	27.5	1.60	25.2	2.00	23.5	1.09	
		SJ4-125×100J51.5	15	0.80	34.3	1.60	32	2.00	30	1.03	
		SJ4-125×100JC51.5	15	2.00	27	2.50	24	3.20	20	1.08	

Nominal diameter mm		Model	Output kW	Specification							
				Discharge rate m³/min	Total head m	Discharge rate m³/min	Total head m	Discharge rate m³/min	Total head m	Permissible boost pressure MPa	
125	100	SJ4-125×100J518	18.5	0.80	39	1.60	36.5	2.00	34.5	0.98	
		SJ4-125×100JC518	18.5	2.00	31.3	2.50	28	3.30	23.5	1.02	
		SJ4-125×100G522	22	0.80	47	1.60	45.5	2.00	44	0.90	
		SJ4-125×100GC522	22	2.00	37.5	2.50	34	3.30	29	0.95	
		SJ4-125×100G530	30	0.80	59	1.60	57.5	2.00	56	0.79	
		SJ4-125×100G530	30	2.00	46	2.50	43	3.30	38	0.87	
		SJ4-125×100G537	37	2.00	56	2.50	52	3.40	46	0.76	
		SJ4-150×125H57.5	7.5	1.60	12.2	3.20	10	4.50	6.0	1.24	
		SJ4-150×125H51.1	11	1.60	14	3.20	12	5.00	7.0	1.22	
		SJ4-150×125K51.1	11	1.60	17.5	3.20	14.5	5.00	8.4	1.19	
150	125	SJ4-150×125K51.5	15	1.60	22	3.20	19.5	5.00	13.5	1.15	
		SJ4-150×125K518	18.5	1.60	23.2	3.20	21	5.00	16	1.14	
		SJ4-150×125J518	18.5	1.60	27.5	3.20	23.5	4.60	17.5	1.09	
		SJ4-150×125J522	22	1.60	30	3.20	26.7	5.00	18	1.07	
		SJ4-150×125J530	30	1.60	38	3.20	35	5.00	27.5	1.00	
		SJ4-150×125G537	37	1.60	47	3.20	40.5	5.00	28.5	0.89	
		SJ4-150×125G545	45	1.60	53.5	3.20	47.5	5.00	35	0.83	
		SJ4-150×125G555	55	1.60	60.5	3.20	55	5.00	45	0.77	
		SJ4-200×200H51.5	15	3.20	12.2	6.40	9.5	8.70	6.0	1.24	
		SJ4-200×200H518	18.5	3.20	14.5	6.40	12.2	9.50	8.0	1.22	
200	150	SJ4-200×200H522	22	3.20	16	6.40	14	10.00	8.5	1.21	
		SJ4-200×150K522	22	3.20	18	6.40	14.2	8.50	9.5	1.19	
		SJ4-200×150K530	30	3.20	22.3	6.40	19	10.00	11.5	1.14	
		SJ4-200×150K537	37	3.20	25.5	6.40	22.5	10.00	16.5	1.12	
		SJ4-200×150J537	37	3.20	27.8	6.40	23	9.00	17.5	1.08	
		SJ4-200×150J545	45	3.20	31.5	6.40	26.5	10.00	19	1.05	
		SJ4-200×150J555	55	3.20	36	6.40	32	10.00	25	1.00	
		SJ4-200×150J575	75	3.20	39	6.40	36	10.00	29	0.94	

Assembly drawing



Flange dimensions: JIS 10K flange or equivalent



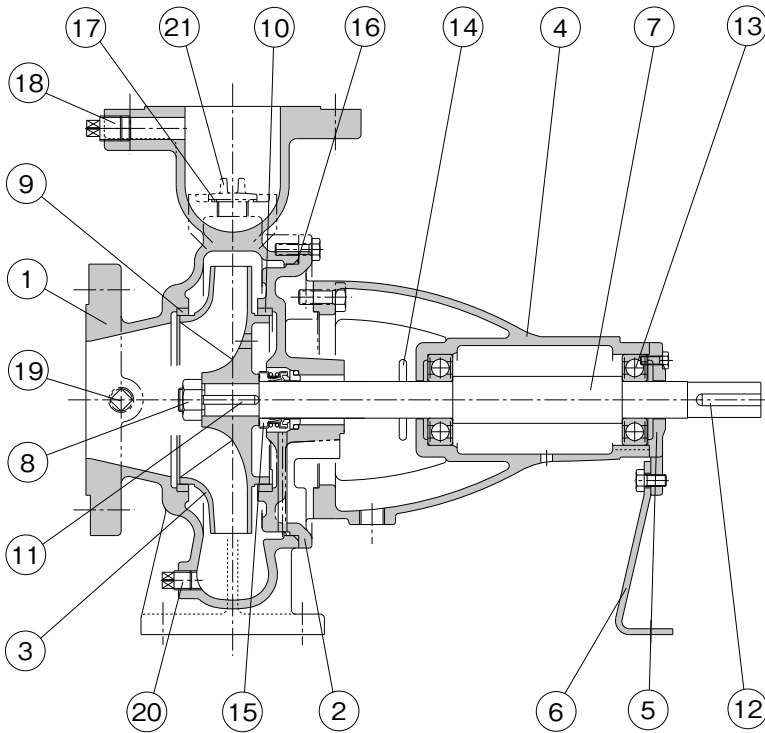
Note) Total length dimension and approximate mass may vary slightly depending on the motor manufacturer.

Dimensions

(Unit: mm)

Nominal diameter Suction s	Discharge d	Pump type	Output kW	Pump							Motor		Common base							Foundation bolt			Approx. mass kg			
				A	B	D	E	F	L	Q	Frame size	MR	J	BL	BM	BN	BP	BR	BX	BY	FB	FD		FL		
40	32	SJ4-40x32H5.4	0.4	80	360	210	180	45	679	3	71	120	25	615	420	105	290	230	325	265	45	M10	200	54		
		SJ4-40x32H5.75	0.75	80	360	215	180	45	712	3	80M	140	30	640	420	105	320	240	365	285	55	M12	250	61		
50	40	SJ4-50x40M5.4	0.4	80	360	182	160	45	679	3	71	120	25	615	420	105	290	210	325	245	45	M10	200	47		
		SJ4-50x40M5.75	0.75	80	360	182	160	45	712	3	80M	140	25	640	420	105	290	240	325	275	45	M10	200	56		
		SJ4-50x40H5.5	0.75	100	360	215	180	45	732	3	80M	140	30	640	420	105	320	240	365	285	55	M12	250	65		
		SJ4-50x40K51.5	1.5	100	360	235	225	40	778	3	90L	169	30	700	480	115	375	245	420	290	55	M12	250	83		
		SJ4-50x40K52.2	2.2	100	360	235	225	40	819	3	100L	193	30	740	480	115	375	275	420	320	55	M12	250	90		
		SJ4-50x40M5.75	0.75	100	360	215	180	45	732	3	80M	140	30	640	420	105	320	240	365	285	55	M12	250	63		
65	50	SJ4-65x50H51.5	1.5	100	360	215	200	40	778	3	90L	169	30	700	480	115	335	245	380	290	55	M12	250	81		
		SJ4-65x50K52.2	2.2	100	360	235	225	40	819	3	100L	193	30	740	480	115	375	275	420	320	55	M12	250	106		
		SJ4-65x50K53.7	3.7	100	360	235	225	55	835	3	112M	200	30	740	540	130	375	295	420	340	55	M12	250	118		
		SJ4-65x50M5.5	1.5	100	360	215	200	40	778	3	90L	169	30	700	480	115	335	245	380	290	55	M12	250	80		
80	65	SJ4-80x65M52.2	2.2	100	360	215	200	40	819	3	100L	193	30	740	480	115	335	265	380	310	55	M12	250	86		
		SJ4-80x65H52.2	2.2	100	360	235	225	40	819	3	100L	193	30	740	480	115	375	275	420	320	55	M12	250	107		
		SJ4-80x65H53.7	3.7	100	360	235	225	55	835	3	112M	200	30	740	540	130	375	295	420	340	55	M12	250	118		
		SJ4-80x65K55.5	5.5	100	470	270	250	80	1001	3	132S	239	40	950	660	170	430	340	485	395	70	M16	315	156		
		SJ4-80x65J55.5	5.5	125	470	320	280	80	1026	3	132S	239	40	950	660	170	470	340	525	395	70	M16	315	192		
		SJ4-80x65J57.5	7.5	125	470	320	280	80	1064	3	132M	258	40	950	660	170	470	340	525	395	70	M16	315	200		
		SJ4-80x65J511	11	125	470	320	280	100	1193	3	160M	323	40	1080	740	190	470	390	525	445	70	M16	315	252		
		SJ4-125x100H53.7	3.7	125	470	270	280	60	970	3	112M	200	40	870	600	150	430	310	485	365	70	M16	315	140		
		SJ4-125x100H55.5	5.5	125	470	270	280	80	1026	3	132S	239	40	950	660	170	430	340	485	395	70	M16	315	161		
		SJ4-125x100K55.5	5.5	140	470	320	280	80	1041	3	132S	239	40	950	660	170	470	340	525	395	70	M16	315	193		
125	100	SJ4-125x100K57.5	7.5	140	470	320	280	80	1079	3	132M	258	40	950	660	170	470	340	525	395	70	M16	315	201		
		SJ4-125x100KC57.5	7.5	140	470	320	280	80	1079	3	132M	258	40	950	660	170	470	340	525	395	70	M16	315	200		
		SJ4-125x100K511	11	140	470	320	280	100	1208	3	160M	323	40	1080	740	190	470	390	525	445	70	M16	315	251		
		SJ4-125x100J511	11	140	470	320	315	100	1208	3	160M	323	40	1080	740	190	470	390	525	445	70	M16	315	247		
		SJ4-125x100J515	15	140	470	320	315	100	1208	3	160L	345	40	1080	740	190	470	390	525	445	70	M16	315	270		
		SJ4-125x100JC515	15	140	470	320	315	100	1208	3	160L	345	40	1080	740	190	470	390	525	445	70	M16	315	269		
		SJ4-125x100J518	18.5	140	470	330	315	115	1256	3	180M	352	50	1120	840	205	480	440	550	510	90	M20	400	289		
		SJ4-125x100JC518	18.5	140	470	330	315	115	1256	3	180M	352	50	1120	840	205	480	440	550	510	90	M20	400	289		
		SJ4-125x100G522	22	140	530	360	355	95	1316	3	180M	352	50	1200	840	205	580	440	650	510	90	M20	400	360		
		SJ4-125x100GC522	22	140	530	360	355	95	1316	3	180M	352	50	1200	840	205	580	440	650	510	90	M20	400	360		
		SJ4-125x100G530	30	140	530	360	355	95	1390	4	180L	371	50	1200	840	205	580	440	650	510	90	M20	400	385		
		SJ4-125x100GC530	30	140	530	360	355	95	1390	4	180L	371	50	1200	840	205	580	440	650	510	90	M20	400	385		
		SJ4-125x100GC537	37	140	530	360	355	120	1455	4	200L	426	50	1280	940	230	580	490	650	560	90	M20	400	446		
		150	125	SJ4-150x125H57.5	7.5	140	470	320	315	80	1079	3	132M	258	40	950	660	170	470	340	525	395	70	M16	315	211
SJ4-150x125H511	11			140	470	320	315	100	1208	3	160M	323	40	1080	740	190	470	390	525	445	70	M16	315	236		
SJ4-150x125K511	11			140	470	320	355	100	1208	3	160M	323	40	1080	740	190	470	390	525	445	70	M16	315	233		
SJ4-150x125K515	15			140	470	320	355	100	1208	3	160L	345	40	1080	740	190	470	390	525	445	70	M16	315	245		
SJ4-150x125K518	18.5			140	470	330	355	115	1256	3	180M	352	40	1120	840	205	480	440	550	510	90	M20	400	295		
SJ4-150x125J518	18.5			140	530	360	355	95	1316	3	180M	352	50	1200	840	205	580	440	650	510	90	M20	400	396		
SJ4-150x125J522	22			140	530	360	355	95	1316	3	180M	352	50	1200	840	205	580	440	650	510	90	M20	400	406		
SJ4-150x125J530	30			140	530	360	355	95	1390	4	180L	371	50	1200	840	205	580	440	650	510	90	M20	400	431		
SJ4-150x125G537	37			140	530	395	400	95	1455	4	200L	426	50	1280	840	205	580	490	650	560	90	M20	400	543		
SJ4-150x125G545	45			140	530	395	400	95	1455	4	200L	426	50	1280	840	205	580	490	650	560	90	M20	400	623		
SJ4-150x125G555	55			140	530	395	400	120	1471	4	225S	432	50	1270	940	230	580	530	650	600	90	M20	400	675		
200	200			SJ4-200x200H515	15	180	530	360	375	95	1308	3	160L	345	50	1170	840	205	580	410	650	490	90	M20	400	334
				SJ4-200x200H518	18.5	180	530	360	375	95	1356	3	180M	352	50	1200	840	205	580	440	650	510	90	M20	400	410
				SJ4-200x200H522	22	180	530	360	375	95	1356	3	180M	352	50	1200	840	205	580	440	650	510	90	M20	400	420
		SJ4-200x150K522	22	160	530	360	375	95	1336	3	180M	352	50	1200	840	205	580	440	650	510	90	M20	400	419		
200	150	SJ4-200x150K530	30	160	530	360	375	95	1410	4	180L	371	50	1200	840	205	580	440	650	510	90	M20	400	444		
		SJ4-200x150K537	37	160	530	360	375	120	1475	4	2															

Sectional drawing



Parts list

No.	Part name	Qty	Materials
1	Casing	1	FC200
2	Casing cover	1	FC200
3	Impeller	1	FC200
4	Bearing case	1	FC200
5	Bearing cover	1	FC200
6	Attached leg	1	SS400
7	Spindle	1	SUS403
8	Impeller nut	1	SUS304
9	Wearing ring	1	CAC406
10	Wearing ring	1	CAC406
11	Impeller key	1	SUS304
12	Coupling key	1	S45C
13	Ball bearing	2	SUJ2
14	Deflector	1	CR
15	Mechanical seal	1	-
16	O-ring A	1	NBR
17	O-ring B	1	NBR
18	Plug A	1	SS400
19	Plug B	1	SS400
20	Plug	1	SS400
21	Pump-priming plug	1	CAC202

Your Dealer

TERAL

TERAL INC.

Head Office 230, Moriwake, Miyuki-cho, Fukuyama-city, Hiroshima, 720-0003, Japan Tel.+81-84-955-1111 Fax.+81-84-955-5777
www.teral.net

TERAL ASIA LTD.

Room 1001, 10/F, Olympia Plaza, 255 King's Road, North Point, Hong Kong Tel.+852-2571-0886 Fax.+852-2571-0619

TERAL THAI CO., LTD.

TERAL TRADING & SERVICE CO., LTD.

150 Moo 16 Udomsoraryuth Rd., T.Bangkrasan, A.Bangpa-In, Ayutthaya 13160 Thailand Tel.+66-3522-0640 Fax.+66-3522-1259

TERAL GENERAL MACHINE (SHANGHAI) CO., LTD.

No.285, Yuan Qu Road(N), Bei Qiao, Min Hang District, Shanghai 201109, China Tel.+86-21-6490-9128 Fax.+86-21-6490-9126