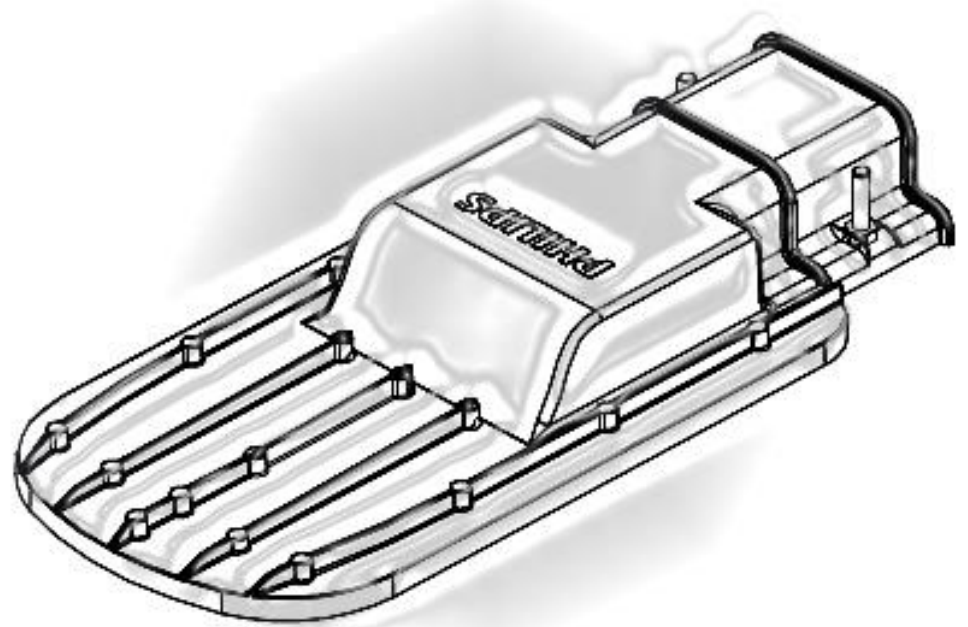


BRP210 (StreetStar) 2018 Upgrade

BRP210 (StreetStar)

Low Lumen package solution



BRP210 (StreetStar)

- BRP210 is developed to target rural development projects in Asia and Africa and to explore trade street lighting segment.
- BRP210 offer competitive option for low lumen package street lighting while maintaining Philips quality standards and meeting all IEC 60598 requirements.
- Compact design for easy Point-to-point replacement of fluorescent and HID streetlights.



Key Features

- IPP 66
- IK08
- Operating temperature $-40^{\circ}\text{C} < T_a < 55^{\circ}\text{C}$
- Available in AC and DC (Solar version)
- 2,500 to 3,700 lumen package (3000K 4000K and 5700K)

1.1 Kg
Compact Design

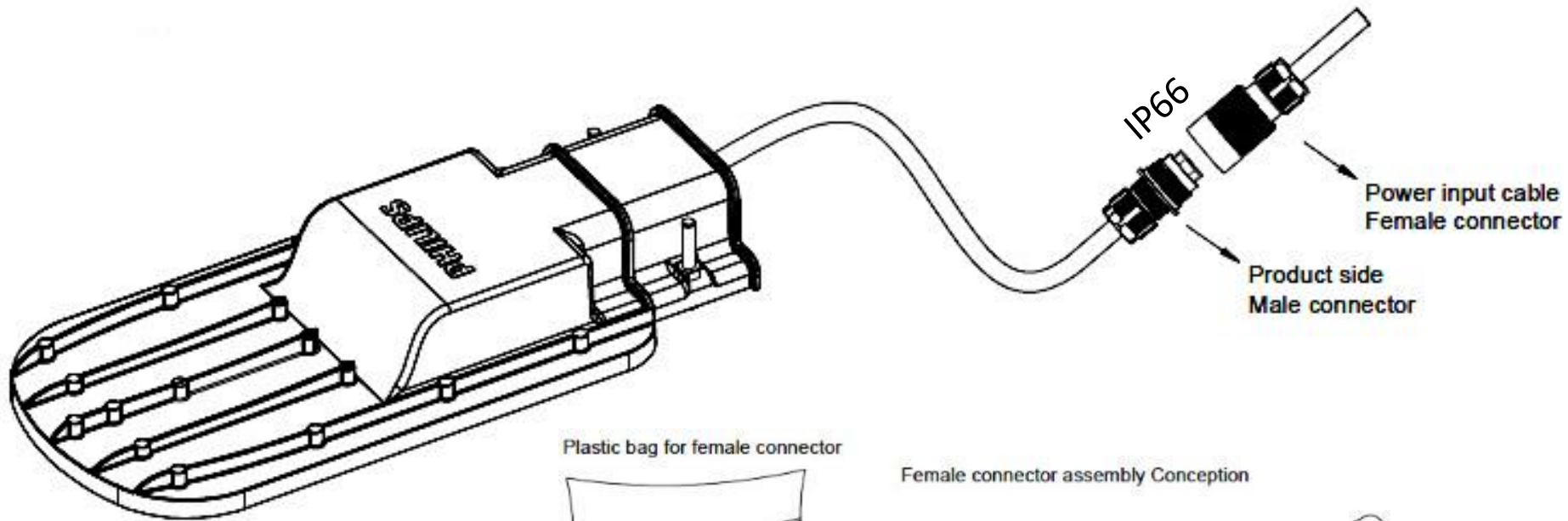


Description	Lumen	Power	cct
BRP210 LED25/CW 18W 220-240V DM3 MP1	2,500	18	5700
BRP210 LED37/CW 27W 220-240V DM3 MP1	3,700	27	5700
BRP210 LED25/NW 18W 220-240V DM3 MP1	2,500	27	4000
BRP210 LED37/NW 27W 220-240V DM3 MP1	3,700	18	4000
BRP210 LED25/WW 18W 220-240V DM3 MP1	2,500	27	3000
BRP210 LED37/WW 27W 220-240V DM3 MP1	3,700	27	3000

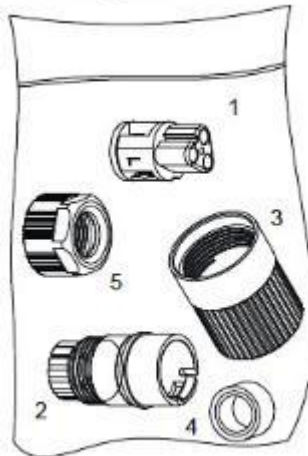
PHILIPS

BRP210 (StreetStar)

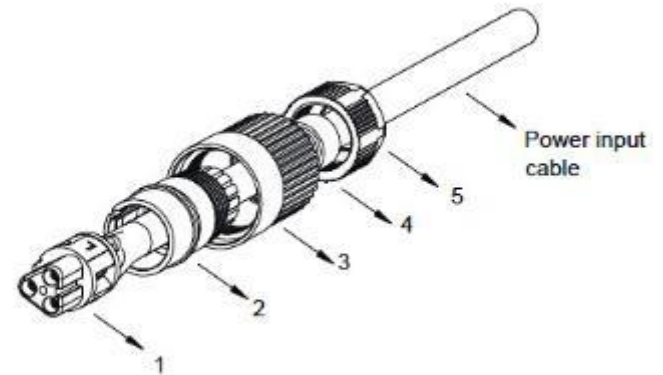
For easy and safe installation, BRP210 will come with prewired power cable and assembly of input connector.



Plastic bag for female connector



Female connector assembly Conception



Note: Please install the wire as the L,N & Earth mark which noted in the female connector

BRP210 (StreetStar)

All the elements of products are tested under IEC 60598-1:2008 clause 12.4 & 12.5 to ensure operations as higher ambient temperature



Thermal testing is also done by covering the luminaire thermal fins

BRP210 (StreetStar)

Product Elements	BRP210 / StreetStar
Housing	Die-cast aluminum (ADC1)
	RAL7040 - Grey colour
	Salt spray test 500 hrs
Front Plastic Cover	(Tarflon) UV resistant plastic cover
LED Specification	3000K, 4000K and 5000K / CRI Min70
System efficacy	137 Lumen per watt
Optics	Multilayer DW3 optic
Rated/certificated voltage	AC: 220-240V (50/60Hz) and DC: 10.5~16Vdc
Operational voltage for AC driver	170-250V (50/60Hz)
Power Factor	0.95
Lifetime	50K hours @ 70% lm maintenance Ta35 °C
IP rating	IP66
IK rating	IK08
Mounting	Side Entry 40 - 60mm
Installation	Power input cable (0.5m) and connector (IP66) assembly Included
Weight	1.1 Kg
Surge protection	10KV (for AC version)
Approbations	CB IEC60598, IEC61347-1, IEC61347-2-13, IEC62384,RoHS Declaration, Photobiological,LM80,EMC,EMF
Operating temp	-40°C < Ta< 55°C
Wind speed	Wind Force 83.5N
humidity	Operation humidity: 93%

Drawing

Unit in mm

