



# MASTER LEDtube EM/ Mains T8

## MAS LEDtube STD 600mm 10W830 T8 I

The Philips MASTER LEDtube integrates a LED light source into a traditional fluorescent form factor. Its unique design creates a perfectly uniform visual appearance which cannot be distinguished from traditional fluorescent. For those that are looking for value for money within limited budget and re-lamping efforts for better light effect and lifetime.

### Product data

| General Information    |                                  |
|------------------------|----------------------------------|
| Cap-Base               | G13 [ Medium Bi-Pin Fluorescent] |
| Main Application       | Industrial                       |
| Nominal Lifetime (Nom) | 40000 h                          |
| Switching Cycle        | 50000X                           |
| B50L70                 | 40000 h                          |

| Light Technical                       |                     |
|---------------------------------------|---------------------|
| Color Code                            | 830 [ CCT of 3000K] |
| Beam Angle (Nom)                      | 150 °               |
| Luminous Flux (Nom)                   | 1000 lm             |
| Luminous Flux (Rated) (Nom)           | 1000 lm             |
| Rated Beam Angle                      | 150 °               |
| Correlated Color Temperature (Nom)    | 3000 K              |
| Color Consistency                     | <6                  |
| Color Rendering Index (Nom)           | 83                  |
| LLMF At End Of Nominal Lifetime (Nom) | 70 %                |

| Operating and Electrical |             |
|--------------------------|-------------|
| Input Frequency          | 50 to 60 Hz |

|                                 |                      |
|---------------------------------|----------------------|
| Power (Rated) (Nom)             | 10 W                 |
| Lamp Current (Nom)              | 43 mA                |
| Starting Time (Nom)             | 0.5 s                |
| Warm Up Time to 60% Light (Nom) | instant full light s |
| Power Factor (Nom)              | 0.9                  |
| Voltage (Nom)                   | 100-240 V            |

| Temperature          |        |
|----------------------|--------|
| T-Ambient (Max)      | 45 °C  |
| T-Ambient (Min)      | -20 °C |
| T-Storage (Max)      | 65 °C  |
| T-Storage (Min)      | -40 °C |
| T-Case Maximum (Nom) | 55 °C  |

| Controls and Dimming |    |
|----------------------|----|
| Dimmable             | No |

| Mechanical and Housing |        |
|------------------------|--------|
| Product Length         | 600 mm |

# MASTER LEDtube EM/Mains T8

## Approval and Application

|                               |  |
|-------------------------------|--|
| Energy Efficiency Label (EEL) | A+   |
| Energy Saving Product         | Yes  |
| Suitable For Accent Lighting  | No   |
| Approval Marks                | CE marking RoHS compliance KEMA Keur certificate |
| Energy Consumption kWh/1000 h | 10 kWh   |

## Product Data

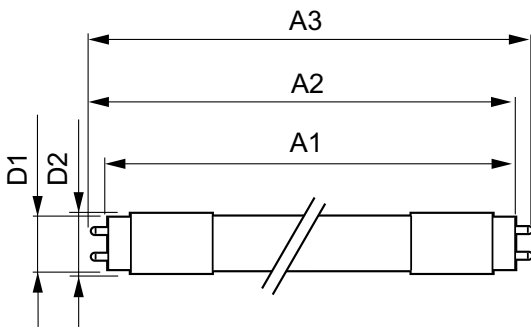
|                   |                 |
|-------------------|-----------------|
| Full product code | 871829174085800 |
|-------------------|-----------------|

|                                 |                                   |
|---------------------------------|-----------------------------------|
| Order product name              | MAS LEDtube STD 600mm 10W830 T8 I |
| EAN/UPC - Product               | 8718291740858                     |
| Order code                      | 929000286608                      |
| Numerator - Quantity Per Pack   | 1                                 |
| Numerator - Packs per outer box | 10                                |
| Material Nr. (12NC)             | 929000286608                      |
| Net Weight (Piece)              | 0.150 kg                          |

## Warnings and Safety

- NOTES: The overall energy efficiency and light distribution of any installation that uses these lamps are determined by the design of the installation.

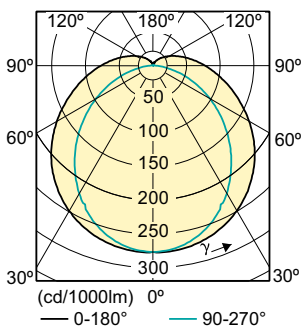
## Dimensional drawing



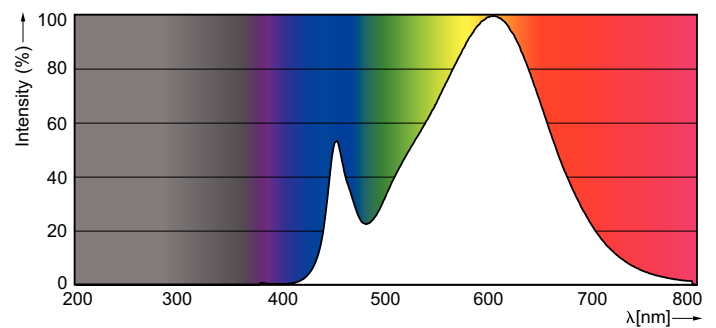
TLED STD 600mm 10W830 T8 I

| Product                           | D1       | D2    | A1       | A2       | A3       |
|-----------------------------------|----------|-------|----------|----------|----------|
| MAS LEDtube STD 600mm 10W830 T8 I | 25.68 mm | 28 mm | 588.5 mm | 595.5 mm | 602.5 mm |

## Photometric data



600 mm 10 W, 1200 mm 20 W G13 150D



STD 600 mm 10 W /830 T8 I

## MASTER LEDtube EM/Mains T8

