



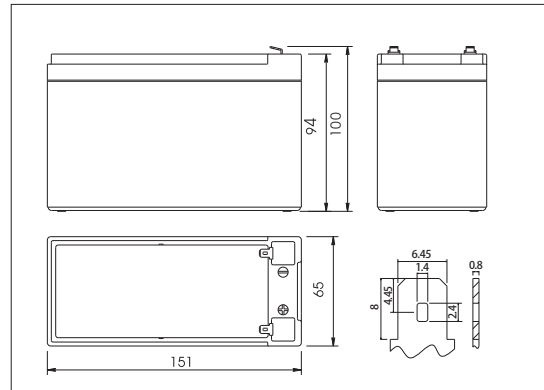
- EMERGENCY LIGHT SYSTEM
- FIRE & SECURITY SYSTEM
- CAR & OTHER STARTING APPLICATIONS
- ELECTRO-MEDICAL DEVICES
- UPS
- RAILWAY SIGNAL
- COMMUNICATIONS POWER SUPPLY
- DC POWER SUPPLY

6-FM-9S



Application

- Emergency Light Systems
- Fire & Security System
- Cars & other Starting Applications
- Medical Equipment
- Uninterruptible Power Supply(UPS)
- Railway signal
- Communication Power Supply
- DC Power Supply



BATTERY Bcn 6-FM-9S(12V9AH) Sealed Lead Acid Maintenance Free

Specifications

Nominal Voltage	12V	
Rated Capacity (20 hour rate)	9Ah	
Dimensions	Total Height (with terminals)	3.94 inches(100mm)
	Height	3.70 inches(94mm)
	length	5.94 inches(151mm)
	width	2.56 inches(65mm)
Weight	Approx.5.61 Pound(2.55kg)	

Characteristics

Capacity 77°F (25°C)	20 hour rate (0.45A)	9.0 Ah
	10 hour rate (0.84A)	8.4 Ah
	5 hour rate (1.50A)	7.5 Ah
	1hour rate (5.90 A)	5.9 Ah
	15Minute Rate (19.0 A)	4.75Ah
Internal Resistance	Full charged Battery 77°F (25°C)	18m Ω
	104°F (40°C)	102%
	77°F (25°C)	100%
	32°F (0°C)	85%
Capacity affected by Temperature (20hour rate)	5°F (-15°C)	65%
	Capacity after 3 month storage	91%
	Capacity after 6 month storage	81%
	Capacity after 12 month storage	60%
Self-Discharge 77°F (25°C)		
Max. Discharge Current 77°F (25°C)	135A(5S)	
Terminal	F1 \ F2	
Charge (Constant Voltage)	Cycle	Initial Charging Current less than 2.7A Voltage 14.4 V / 77 °F (25 °C) Equalization temperature compensation coefficient: -24MV/C
		Float Voltage 13.8V / 77 °F (25 °C) Compensation coefficient of floating charging temperature: -18MV/C

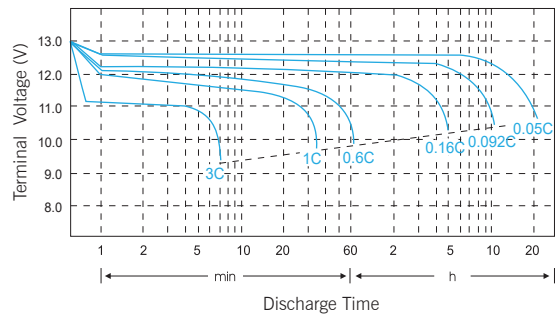
Constant Current Discharge (Amperes @25°C)

F.V/Time	5Min	10Min	15Min	30Min	60Min	2H	3H	4H	5H	10H	20H
1.60	42.5	24.8	19.0	10.8	6.38	3.49	2.36	1.85	1.54	0.860	0.460
1.65	40.6	24.1	18.3	10.5	6.22	3.37	2.34	1.84	1.53	0.850	0.450
1.70	39.6	23.1	17.7	10.3	6.05	3.33	2.31	1.82	1.53	0.840	0.450
1.75	37.9	22.2	17.1	10.2	5.90	3.28	2.30	1.80	1.50	0.840	0.450
1.80	35.7	22.0	16.2	9.89	5.71	3.18	2.25	1.76	1.48	0.820	0.440

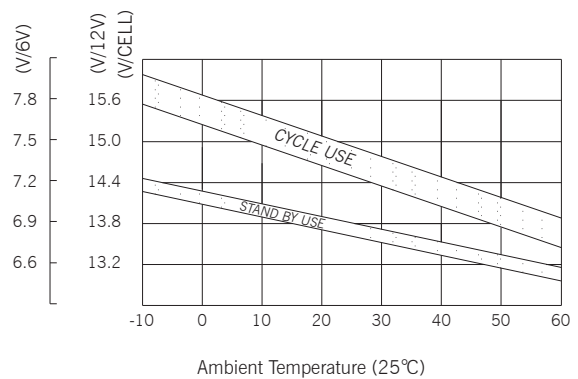
Constant Power Discharge (Watts Per Cell@25°C)

F.V/Time	5Min	10Min	15Min	30Min	60Min	2H	3H	4H	5H	10H	20H
1.60	79.5	49.0	37.3	20.5	12.5	6.80	4.78	3.68	3.12	1.70	0.913
1.65	77.2	48.0	37.0	20.3	12.4	6.57	4.68	3.65	3.10	1.70	0.910
1.70	75.2	47.5	36.7	20.0	12.3	6.48	4.58	3.62	3.08	1.68	0.907
1.75	73.0	47.2	36.3	19.7	12.1	6.42	4.57	3.58	3.05	1.68	0.903
1.80	67.0	45.8	33.8	19.0	11.7	6.23	4.50	3.50	3.02	1.64	0.888

Discharge Curves 77°F(25°C)



Relationship Between Charge Voltage and Temperature



• Manufactured by factory with ISO 9001, ISO 14001, OHSAS 18001, CE, UL STANDARAD