

# FOLDING POCKET DOOR SYSTEM (INSET)



ALT-F



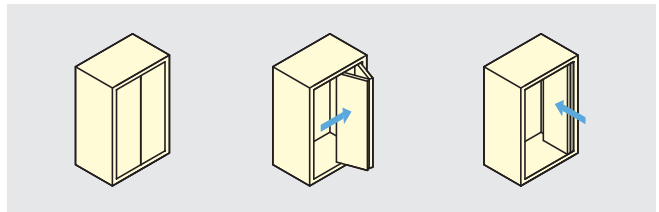
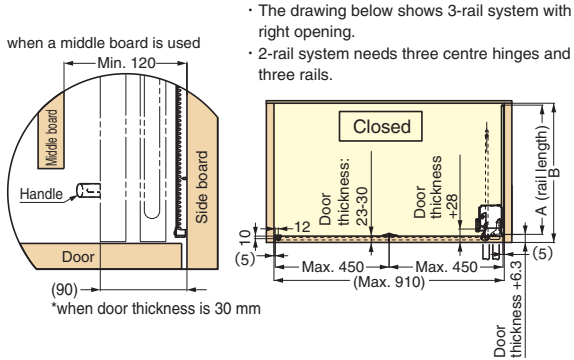
	2 rail system	3 rail system
Door Width	Max. 450 mm	
Door Height	Max. 1830 mm	1831 - 2400 mm
Door Thickness	23 - 30 mm	
Door Weight	Max. 10 kg/Door	

WARDROBE & CABINET DOOR HARDWARE

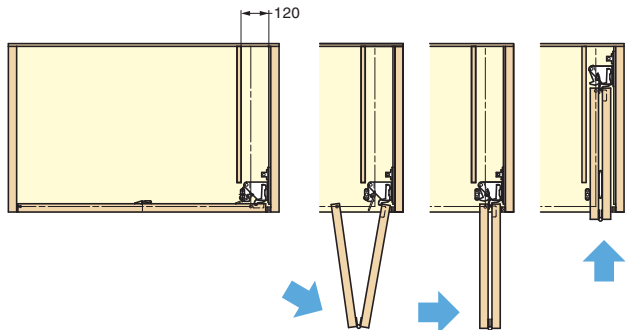
### Features

- Combines folding doors for wider door spaces.
- Folding doors retract into cabinet interior, full access (besides pocket) to the interior.
- Great solution for home and residential in-suite storage including laundry rooms.
- Max door width: 450mm per door. 2 doors per folding side. Total 1800mm wide cabinet entrance.

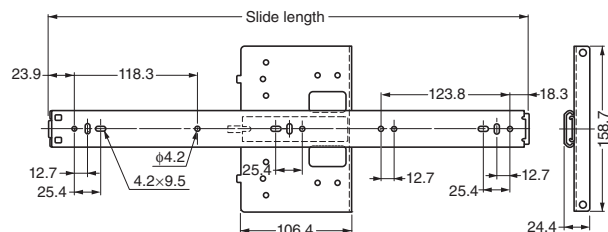
### Installation



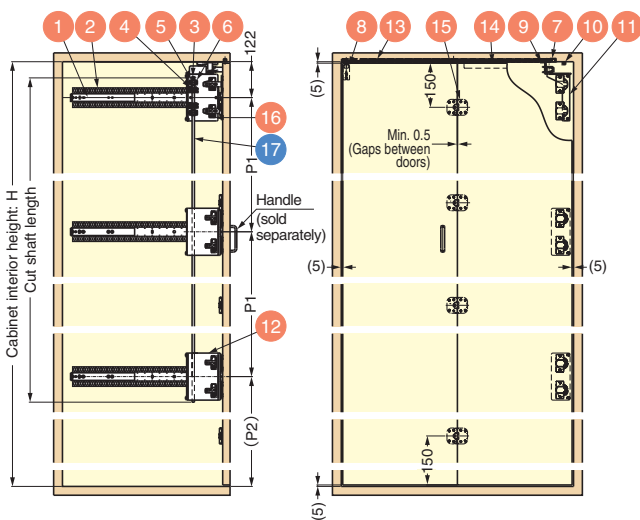
### Top View



### Rail Dimensions



FOLDING POCKET DOOR SYSTEM (INSET)



	2 rail system	3 rail system	
Door height	Max. 1830	1831~1903	1904~2400
Cabinet interior height	Max. 1840	1841~1913	1914~2410
Cut shaft length	H-110		1803
P1	H-250	(H-250)/2	831
(P2)	128		H-1784

Item Name	Rails	Opening	Rail Length	Door Storing	Cabinet Depth
ALT-F18LV2	2	Left Opening	460.4	355.6	466.7 + Door Thickness
		Right Opening			
ALT-F20LV2	2	Left Opening	511.2	406.4	517.5 + Door Thickness
		Right Opening			
ALT-F18LV3	3	Left Opening	460.4	355.6	466.7 + Door Thickness
		Right Opening			
ALT-F20LV3	3	Left Opening	511.2	406.4	517.5 + Door Thickness
		Right Opening			



Parts Set		Necessary Parts		
Please refer to "Qty [a] - [h]" for parts included in each set.				
Set Name		Item Code	Item Name	
[a]	2 Rail System	Left Opening (Door Storing 355.6)	180-035-215	ALT-F18LV2
		Right Opening (Door Storing 355.6)	180-035-216	ALT-F18RV2
		Left Opening (Door Storing 406.4)	180-035-217	ALT-F20LV2
		Right Opening (Door Storing 406.4)	180-035-218	ALT-F20RV2
[e]	3 Rail System	Left Opening (Door Storing 355.6)	180-034-370	ALT-F18LV3
		Right Opening (Door Storing 355.6)	180-034-371	ALT-F18RV3
		Left Opening (Door Storing 406.4)	180-034-372	ALT-F20LV3
		Right Opening (Door Storing 406.4)	180-034-373	ALT-F20RV3

Parts Included

No.	Qty			Part Name	Dimensions	Description
	[a]	[b]	[e]			
[1]	2 pcs	3 pcs		Rail	See P.614	<ul style="list-style-type: none"> <li>Material Steel</li> <li>Finish Black Chromate</li> </ul>
[2]	2 pcs	3 pcs		Rack		<ul style="list-style-type: none"> <li>Material ABS</li> <li>Finish Black</li> </ul>
[3]	1 pc	1 pc		Cap		<ul style="list-style-type: none"> <li>Material Steel</li> <li>Finish Black Chromate</li> </ul>
[4]	4 pcs	6 pcs		Gear		<ul style="list-style-type: none"> <li>Material POM</li> <li>Finish Black</li> </ul>
[5]	4 pcs	6 pcs		Bush		<ul style="list-style-type: none"> <li>Material POM</li> <li>Finish Black</li> </ul>
[6]	4 pcs	6 pcs		Stationary Block		<ul style="list-style-type: none"> <li>Material POM</li> <li>Finish Black</li> </ul> Screw : Binding Head Self Tapping Screw UNC8-32
[7]	1 pc	1 pc		Upper Rail Joint		<ul style="list-style-type: none"> <li>Material POM</li> <li>Finish White</li> </ul>
[8]	1 pc	1 pc		End Guide		<ul style="list-style-type: none"> <li>Material Steel (SPCC) / POM</li> <li>Finish Yellow Zinc Chromate / Natural</li> </ul>
[9]	1 pc	1 pc		Angle Stopper		<ul style="list-style-type: none"> <li>Material Steel (SPCC)</li> <li>Finish Nickel</li> </ul>

No.	Qty			Part Name	Dimensions	Description
	[a]	[b]	[e]			
[10]	1 pc	1 pc		Inner Guide		<ul style="list-style-type: none"> <li>Material POM</li> <li>Finish White</li> </ul>
[11]	1 pc	1 pc		Interlock		<ul style="list-style-type: none"> <li>Material Steel / POM</li> <li>Finish Black / White</li> </ul> Right type shown.
[12]	1 pc	2 pcs		Hinge Cover Bracket		<ul style="list-style-type: none"> <li>Material Steel (SPCC)</li> <li>Finish Black Paint</li> </ul>
[13]	1 pc	1 pc		Upper Rail (1820 mm)		<ul style="list-style-type: none"> <li>Material Aluminium</li> <li>Finish Anodized Silver</li> </ul> Bore Pitch : Approx. 300 mm Pitch End : Approx. 30 mm
[14]	1 pc	1 pc		Bottom Guide Rail (1500 mm)		<ul style="list-style-type: none"> <li>Material Aluminium</li> <li>Finish Anodized Silver</li> </ul>
[15]	3 pcs	4 pcs		Centre Hinge		<ul style="list-style-type: none"> <li>Material Steel</li> <li>Finish Black</li> </ul> Screw : Countersunk Head Tapping Screw 3.5x16
[16]	4 pcs	6 pcs		Hinge Set		<b>Item Code : 180-026-432</b> <b>Item Name : ALT-F-8086HKEZX</b> <ul style="list-style-type: none"> <li>Material Steel / Zinc Alloy</li> <li>Finish Yellow Zinc Chromate / Black</li> </ul>
Included Screws	8 pcs	12 pcs		Cross-recessed pan head tapping screw 4x20 (for [6])		
	18 pcs	27 pcs		Cross-recessed truss head tapping screw 4x20 (for [1])		
	8 pcs	8 pcs		Cross-recessed countersunk screw 4x20 (for [7][10][14])		
	4 pcs	6 pcs		Cross-recessed pan head screw M6x8 (for [11][12])		
	2 pcs	2 pcs		Cross-recessed binding head tapping screw 4.5x20 (for [9])		
	2 pcs	2 pcs		Hexagon head tapping screw with flange 4x16 (for [8])		
	2 pcs	2 pcs		Spring washer 4 (for [8])		
	10 pcs	10 pcs		Cross-recessed countersunk tapping screw 3.5x16 head diameter 6 (for [15])		
8 pcs	12 pcs		Cross-recessed countersunk tapping screw 3.5x20 (for [16])			

Shaft		Necessary Parts				
1 pc is necessary for a pair of doors.						
No.	Length	Qty	Item Code	Part Name	Dimensions	Description
[17]	902±13 mm	1 pc	180-121-047	Shaft		<ul style="list-style-type: none"> <li>Material Steel</li> <li>Finish Black Chromate</li> </ul>
			Item Name 29475-36			
			180-121-048			
	1207±13 mm	1 pc	Item Name 29475-48			
	1816±13 mm	1 pc	Item Name 29475-72			

# POCKET DOOR SYSTEM (INSET)

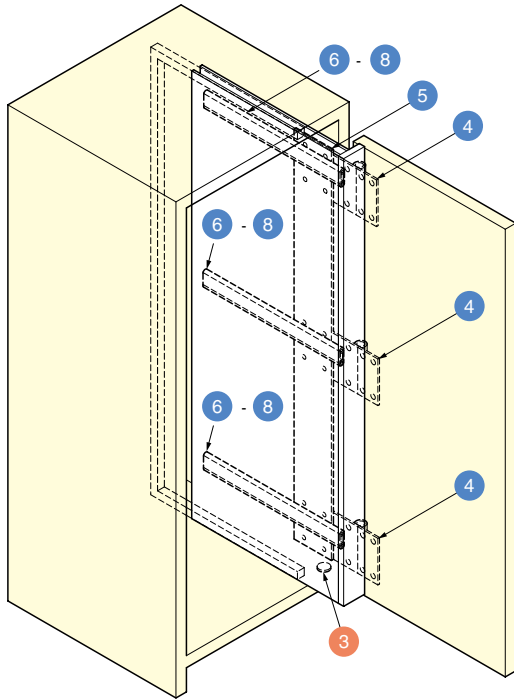
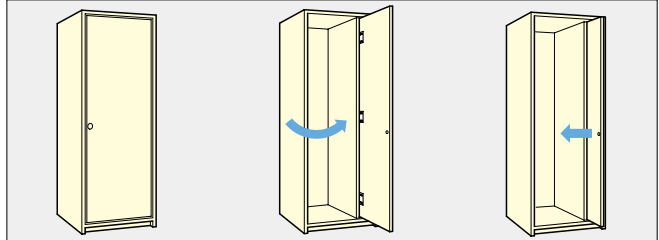


## TSSL-2V

Door Width	Max. 800 mm
Door Height	1760 - 2300 mm
Door Weight	Max. 20 kg/Door

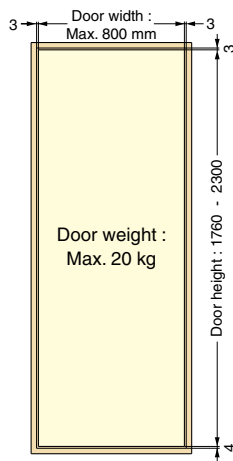
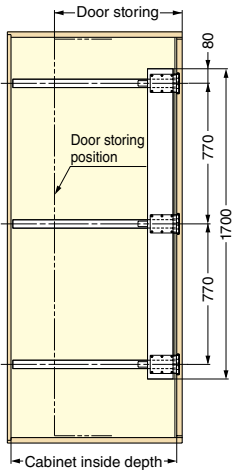
### Features

- Opening door is stored inside the cabinet.
- One touch door installation & removal.



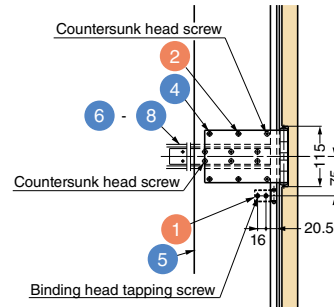
WARDROBE & CABINET DOOR HARDWARE

### Installation

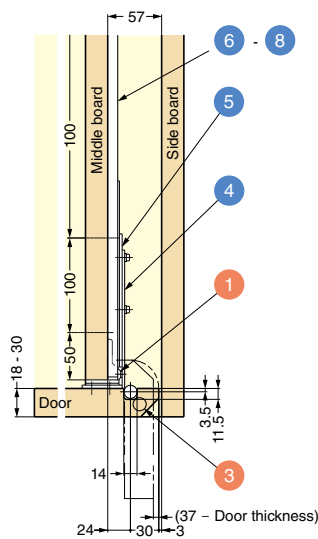


Door weight :  
Max. 20 kg

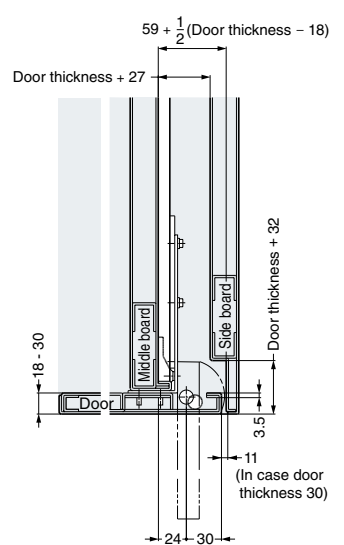
### Side view (Wooden door)



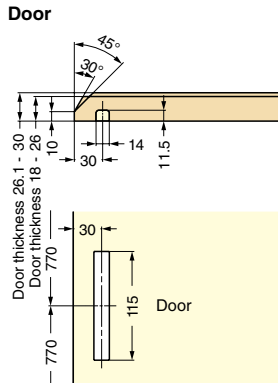
### Top view (Wooden door)



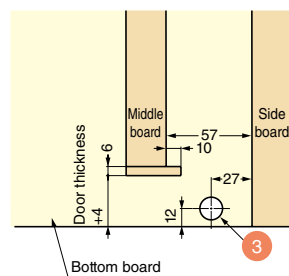
### Top view (Steel door)



### Cut Out Dimensions



### Cabinet


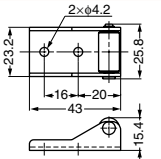

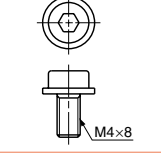

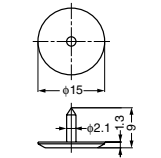


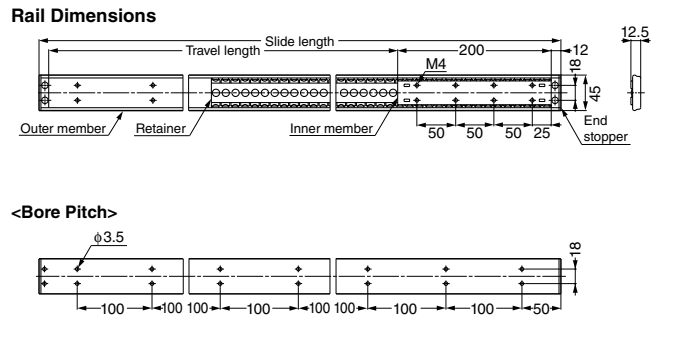
POCKET DOOR SYSTEM (INSET)

• Necessary Parts ..... **Parts Set** + **Hinge** + **Connecting Plate** + **Rails**

Parts Set (Per Door)		Necessary Parts	
Type	Item Code	Item Name	
a) 600 mm Rails	180-110-575	TSSL-2VD600	
b) 800 mm Rails	180-110-576	TSSL-2VD800	
c) 900 mm Rails	180-110-577	TSSL-2VD900	

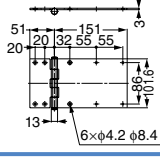

Rail		Necessary Parts			
		3 pcs are necessary for 1 door.			
No.	Type	Qty	Item Code	Part Name	Description
6	Slide Length 600 mm	1 pc	190-110-570	Rail	 <p>* Material SUS304</p>
			TSSL-600SV		
7	Slide Length 800 mm	1 pc	190-110-571	TSSL-800SV	
			TSSL-800SV		
8	Slide Length 900 mm	1 pc	190-110-572	TSSL-900SV	
			TSSL-900SV		

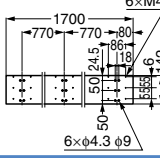

No.	Qty			Part Name	Dimensions	Description
	a	b	c			
1	3 pcs	3 pcs	3 pcs	 <p>Door Stopper</p> 	<ul style="list-style-type: none"> <li>Material Steel</li> <li>Finish Clear Zinc Chromate</li> </ul>	
2	12 pcs	12 pcs	12 pcs	 <p>Bolt</p> 	<ul style="list-style-type: none"> <li>Material Steel</li> <li>Finish Yellow Zinc Chromate</li> </ul>	
3	1 pc	1 pc	1 pc	 <p>Slider</p> 	<p>Item Code : 210-030-122 Item Name : F-15</p> <ul style="list-style-type: none"> <li>Material POM</li> <li>Finish Natural</li> </ul>	



**Parts Included**  
 Binding head tapping screw 3.5x15..... a) 36 pcs, b) 48 pcs, c) 54 pcs  
 Countersunk head screw..... 24 pcs

Item Name	Slide Length	Travel Length	Bore Qty N	Door Storage	Depth Inside Cabinet
TSSL-600SV	600	376	12	402.5+Door thickness	Min. 620
TSSL-800SV	800	576	16	602.5+Door thickness	Min. 820
TSSL-900SV	900	676	18	702.5+Door thickness	Min. 920

Hinge		Necessary Parts			
		3 pcs are necessary for 1 door.			
No.	Qty	Item Code	Part Name	Dimensions	Description
4	1 pc	180-110-562	Hinge		<ul style="list-style-type: none"> <li>Material Steel</li> <li>Finish White</li> </ul>
		TSSL-2VH			

Connecting Plate		Necessary Parts			
		1 pc is necessary for 1 door.			
No.	Qty	Item Code	Part Name	Dimensions	Description
5	1 pc	180-110-563	Connecting Plate		<ul style="list-style-type: none"> <li>Material Steel</li> <li>Finish Yellow Zinc Chromate</li> </ul>
		TSSL-2VP			

WARDROBE & CABINET DOOR HARDWARE

POCKET DOOR SYSTEM (INSET)