

# LAMP® FD80-H SLIDING DOOR SYSTEM Installation Manual (Two-Way Soft Close, Surface Mount Roller)

Part No.FD80DHCMP

Thank you for selecting our product. Before starting installation, please read this manual thoroughly to ensure correct installation. Please keep this manual at hand for future reference.

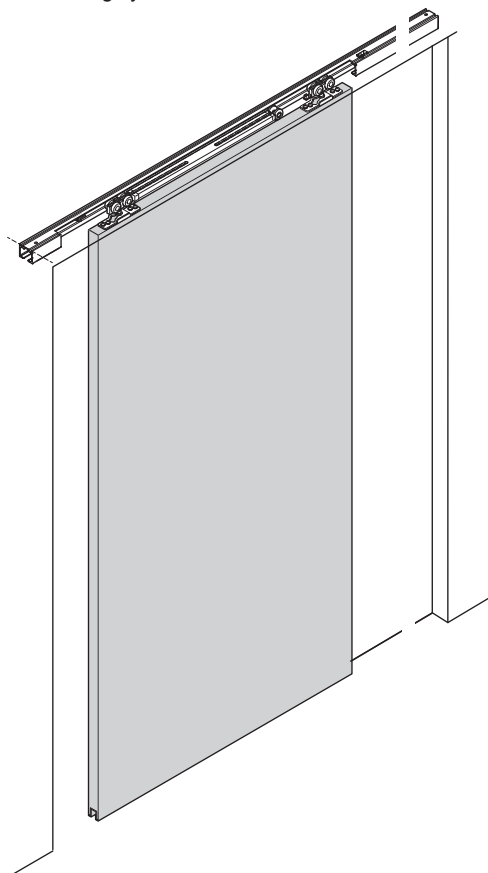
## ABOUT THE PRODUCT

- This product is a parts set for heavy duty sliding door system for indoor use.
- Built in soft closer enables two-way soft closing movement for both directions.

## SPECIFICATIONS

Door height	Max. 2500 mm	2501-2700 mm
Door width	784 mm – 1500 mm	850 mm – 1500 mm
Min. Door thickness	30 mm	
Max. Door weight	80 kg	
Adjustable height range	4 mm upward, 4 mm downward	

- The closing speed of the soft closing type door may change due to ambient temperature, operating method or installation quality.
- Recommended ambient temperature range is 5 to 40 °C.



## FOR YOUR SAFE WORK AND CORRECT INSTALLATION

### Meaning of symbols

 <b>Warning Caution</b>	 <b>Prohibited</b>	 <b>Required</b>
--	---	---

### **WARNING: If not followed, death or serious injury may result.**

- ❗ This (sliding door system) should be installed by a qualified person. If the system is not installed correctly, the door will not operate smoothly, and may cause injury.
- ❗ It is necessary to manufacture the frame with sufficient strength so that it endures the weight of the door and any impact upon opening/closing the door. Only use designated screws and ensure that they are fastened firmly. A frame with poor strength or loose screws might result in the door falling and causing injury.
- ⊘ Do not try to use this product for anything other than its original purpose. Do not use any part for applications outside of its specification.
- ⊘ Do not disassemble nor modify any parts other than those described in this document.

### **Caution: If not followed, injury or damage may result.**

- ❗ Make sure to follow the designated dimensions, specifications, and horizontal/vertical angles. Make sure that the frame is not warped, since it may affect the movement of the door.
- ❗ If cutting any parts, make sure to remove any burrs before installation. Also check the upper track for any left-over burrs or scraps and remove these.
- ❗ This product is a part for architectural fittings. After installation, make sure to test the finished product thoroughly to ensure that it is well-functioning and safe. Please inform the end user about general precautions and safety to prevent improper use.
- ❗ Make sure to test the screws for slack at regular intervals (one month from first usage, half year and then one time every year is recommended).

# COMPONENT PARTS

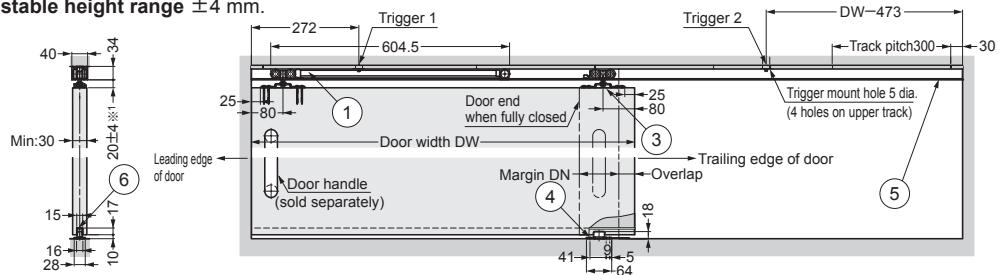
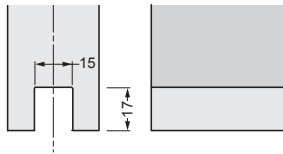
No.	①	②	③	④	⑤	⑥
Name	Surface mount soft closer (two - way)	Trigger	Surface mount roller	Floor guide S	Upper track	Door guide track
Item No.	FD80-WRM-DSC		FD80-WRM	FD50-BG18	FD80-TRM series	FD30-HBRT1500SIL
Item						
	Accessory screw: Pan head tapping screw 4×45 ····· 4 pcs	Accessory screw: Countersunk head tapping screw 4×30(φ6head) ··· 4 pcs	Accessory screw: Pan head tapping screw 4×45 ····· 4 pcs	Accessory screw: Bind head tapping screw 4×16 ····· 5 pcs	(Various sizes) Hole pitch :250 mm Pitch end :30 mm	1500mm Hole pitch :250 mm Pitch end :30 mm
Single sliding	1 pc	2 pcs	1 pc	1 pc	1 pc	1 pc
Double sliding	2 pcs	4 pcs	2 pcs	2 pcs	2 pcs	2 pcs
In line sliding	2 pcs	4 pcs	2 pcs	2 pcs	2 pcs	2 pcs

No.	⑦	⑧	⑨	⑩	⑪
Name	Trigger mount jig	Stopper block	Door stopper (floor)	Floor guide L	Spanner
Item No.	FD80-TRJ	FD80-HSB	FD30-HTKY	FD50-BG32	FD30-FSP
Item					
	<b>OPTIONAL PARTS</b>	Needed when using handles on double sliding doors.	Needed when vertical frame is not used.	This is used when larger space below the door is required.	Nominal designation 10,12
		Accessory screw: Bind head tapping screw 4×30 ····· 3 pcs	Accessory screw: Bind head tapping screw 4×16 ····· 5 pcs	Accessory screw: Pan head tapping screw 5×40	

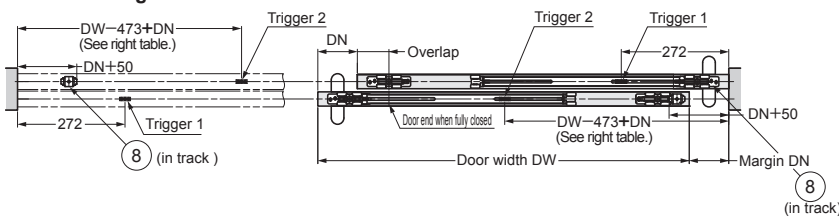
# INSTALLATION DRAWING (EXAMPLE)

※<sup>1</sup> Adjustable height range ±4 mm.

### Door process dimension



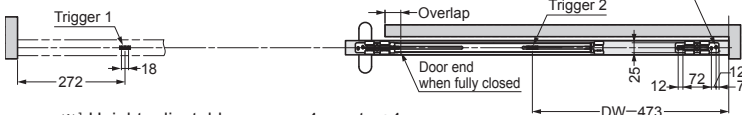
### Double Sliding ※<sup>2</sup>



※<sup>2</sup> For double sliding only.  
**INSTALLATION DIMENSIONS FOR TRIGGER 2**  
Please add the Margin DN to dimension for Trigger 2, if you are using a protruding handle. Example shown below.

DW	[Margin DN=0 mm] Installation dimension for Trigger 2	Example [Margin DN=70 mm] DW-473+DN is the installation dimension for Trigger 2
1,000	527	597
1,100	627	697
1,200	727	797
1,300	827	897
1,400	927	997
1,500	1,027	1,097

### Single Sliding



※<sup>1</sup> Height adjustable range : -4 mm to +4 mm.

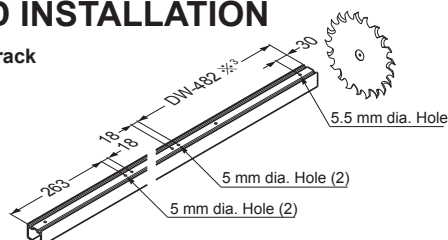
# INSTALLATION PROCEDURE

(This describes installation of a single sliding door.)

## 1 PREPARATION AND INSTALLATION

### 1. Cutting and Drilling holes on Upper Track

When cutting, reinforce the track to prevent deformation at the cut section.  
Remove any dirt or aluminum chips from the track.

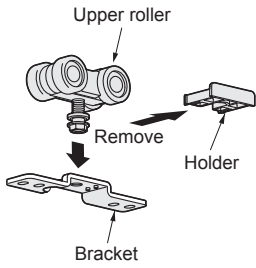


Dimension DW: For detail, refer to Installation Drawing (Example)

※<sup>3</sup> For double sliding DW-482+DN

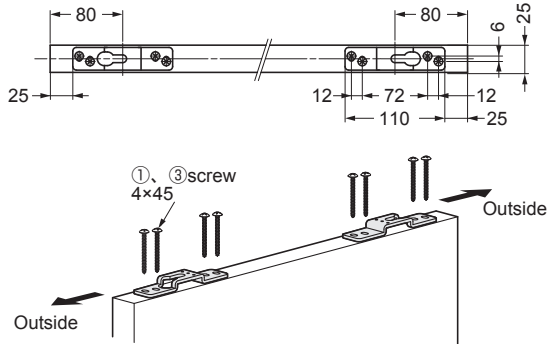
## 2. Installing Bracket

### 1 Disassemble



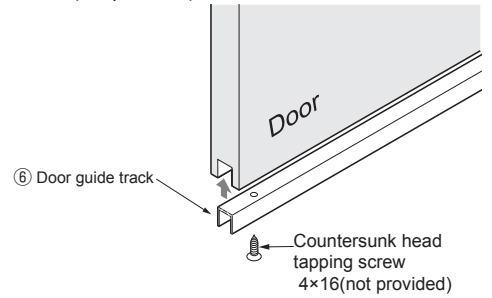
- 1 Pay attention to setting the direction of the bracket.  
The open part of the bracket should face in the outside direction.

### 2 Fastening



## 3. Installation of Door Guide Track

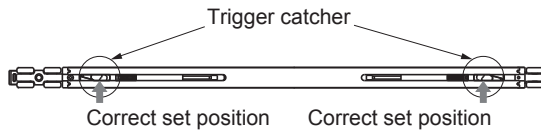
- (1) Cut the track to the same length as the door width.  
1 When cutting, reinforce the track to prevent deformation at the cut section.  
(2) Fasten the track with countersunk head tapping screws 4x16(not provided)



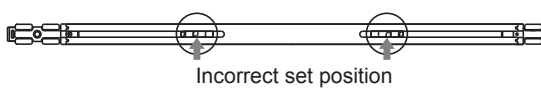
## 4.Verification Before Installing Two-way Soft Closer

⚠ Without verification, the self closing feature may fail.

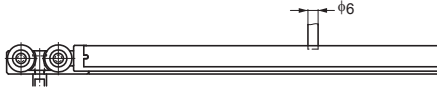
OK



X

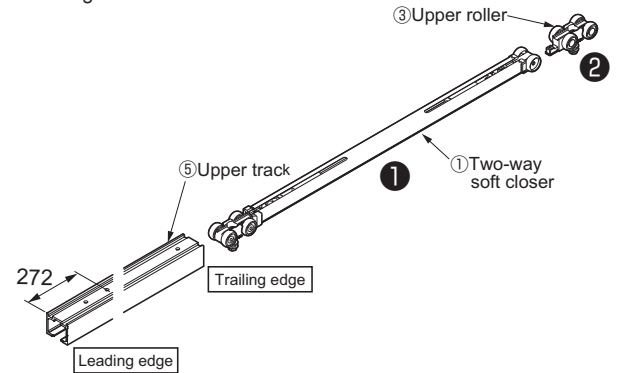


If the position is wrong, pull back the trigger catcher to the correct position using a 6mm diameter round bar.



## 5. Inserting parts into Upper Track

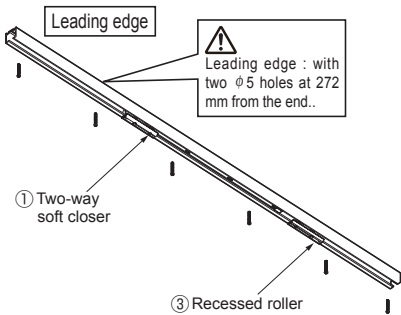
- (1) Assemble the parts in order from 1 to 2 with care of direction.  
(2) Tape around rollers and upper track to prevent the inserted parts from falling.



## 6. Fixing Upper Track

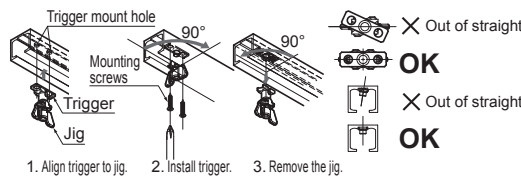
Verify that leading edge of the upper track is in same direction as the leading edge of the door. Fix the upper track with attached screws 5x40.

- 1 Remove any dirt or aluminum chips from the track.



## 7. Fixing Trigger

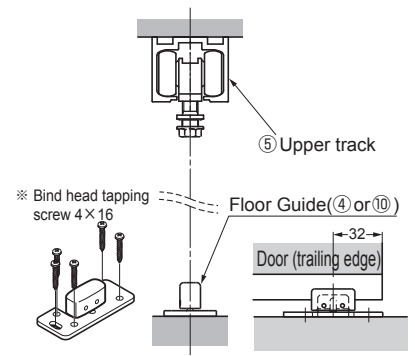
According to "Installation Drawing (Example)", install triggers with provided screws.



※4 Double sliding : DW-473 +DN

## 8. Mounting Floor Guide

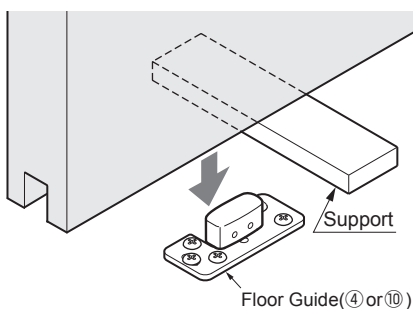
- (1) Position floor guide just below the center of upper track.  
(2) Position the floor guide so that its roller part stays under the door when it is opened or closed.



# 2 HANGING DOOR AND ADJUSTMENT

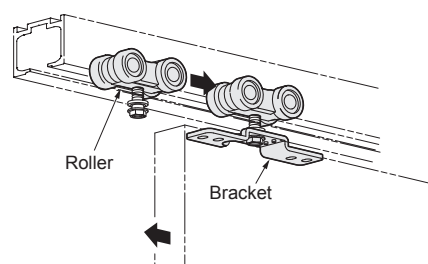
### 1. Hanging (Bottom Part)

Put a 10 mm support under the door.  
While holding the door, insert the floor guide into the groove under the door.



### 2. Hanging (Top Part)

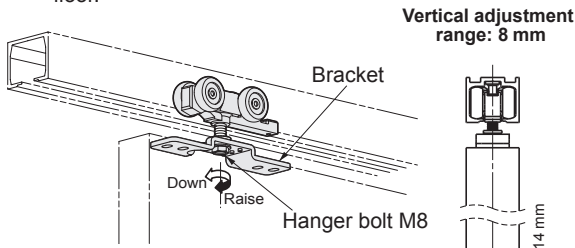
Insert the roller into the bracket as shown in the drawing below.



### 3. Adjusting Door Position

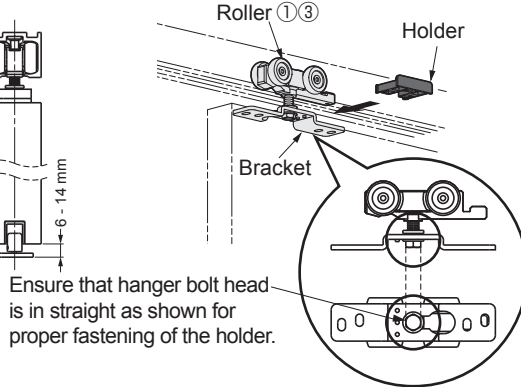
#### 1 Adjustment of door height

- (1) Remove the 10 mm support under the door.
- (2) Adjust the door parallel to the upper track with 6 - 14 mm of clearance between the door and floor.

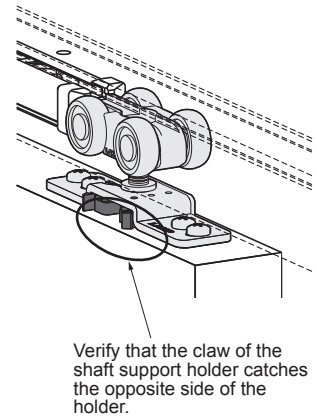


#### 2 Inserting holder

Do not turn adjustment screw more than adjustment range.

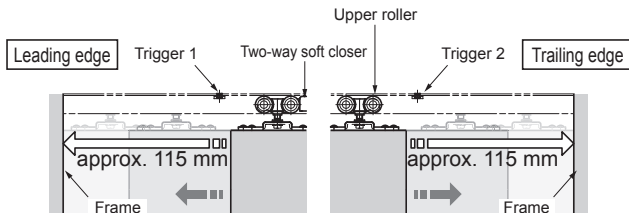


#### 3 Verification of holder



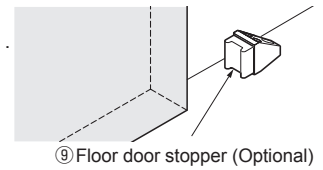
### 4. Verification of Sliding Door Closer Operation

Close the door slowly and check that the soft closer works correctly. The soft closer is engaged approximately 115 mm before the door reaches its final position. Please refer to the "troubleshooting section" when the soft closer does not work correctly.



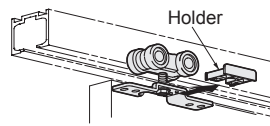
#### ■ When Vertical Frame Is Not Used

Be sure to install the door stopper (floor).



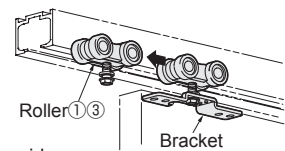
#### ■ How to Remove Door

- (1) Put a support under the door.
- (2) Pull out the Holder.



- (4) Remove the door from the Floor guide.

- (3) Pull out the roller from the bracket.



#### Final verification

Verify that all screws are securely tightened, and verify that all screws have been used.

#### PERIODICAL INSPECTION

- Clean inside of track.
- Check upper and lower gaps between the door and frame. If necessary, adjust the gaps.

## TROUBLESHOOTING

Trouble	Check Point	Solution
Door stops during soft closing	Check if door bottom contacts the floor.	Verify that the track fixing screws are not loosened. Then, adjust the door height such that the clearance between the door bottom and floor is 6- 14 mm.
	Check if upper track is set horizontally.	Using a level gauge, reset upper track horizontally.
	Check if mohair seal is installed.	Reduce the friction between mohair and door.
No soft closing	Check if trigger is installed.	Install trigger to correct position.
	Check if door is closed by excessive force.	Do not close door by excessive force as it may damage soft closer.
	The position of the trigger catcher may become dislocated (See P.3 section 4.)	Check the status of the trigger catcher in P.3 section 4.
Abnormal noise during operation	Check if door bottom contacts with floor.	Verify that the track fixing screws are not loosened. Then, adjust the door height such that the clearance between the door bottom and floor is 6- 14 mm.
	Check if door touches adjacent parts.	Correct door position to avoid contact with other objects. Adjust position of floor guide or stopper.
	Check track rollers for aluminum dust.	Remove the track and pull out the roller. Then, clean the roller.
	Check for loose screws retaining the upper track.	Tighten the screw.
Heavy door operation	Check if door bottom contacts the floor.	Verify that the track fixing screws are not loosened. Then, adjust the door height such that the clearance between the door bottom and floor is 6- 14 mm.
	Check if door touches adjacent parts.	Correct the door position to avoid contact with other objects. Adjust position of the floor guide or stopper.
Door does not move.	Check the track retaining screws for looseness.	Retighten screws to free the roller.
Door starts to move.	Check if the upper track is set horizontally.	Using a level gauge, reset upper track horizontally.

**SUGATSUNE KOGYO CO.,LTD**  
Tokyo, JAPAN  
Phone: +81 (0)3 3866 2260 E-mail:export@sugatsune.co.jp

**SUGATSUNE KOGYO (UK) LTD**  
Reading, UK  
Phone: +44 118 9272 955 E-mail:sales@sugatsune.co.uk

**SUGATSUNE SHANGHAI Co., LTD**  
Shanghai, CHINA  
Phone: +86 21 3632 1858 E-mail:lamp@sugatsune.com.cn

**Guangzhou, CHINA**  
Phone: +86 20 6639 3552 E-mail:lamp@sugatsune.com.cn

**SUGATSUNE AMERICA, INC**  
California, USA  
Phone: +1 310 329 6373 E-mail:sales@sugatsune.com

**Chicago, USA**  
Phone: +1 312 461 1081 E-mail:chicagoshowroom@sugatsune.com.

**SUGATSUNE EUROPE GmbH**  
Düsseldorf, GERMANY  
Phone: +49 211 53812900 E-mail:sales@sugatsune.eu

**SUGATSUNE KOGYO INDIA PRIVATE LIMITED**  
Mumbai, INDIA  
Phone: +91 22 28314490/91 E-mail:sales@sugatsune.in

**SUGATSUNE CANADA, INC.**  
Phone: +1 514 312 5267 E-mail:support@sugatsune.ca

ISO9001(Japan Offices and Sugatsune America) and ISO14001(Chiba Production division and Logistics center), certified.

2018.12 0516-7