

# TANDEM 16 mm 7/8 extension

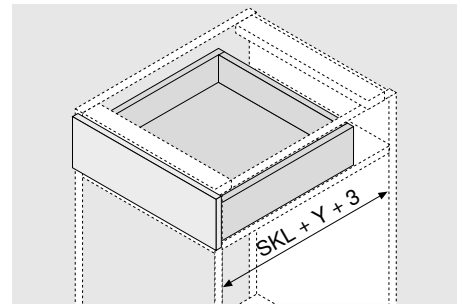
Technical data sheet



540H locking device feature – BLUMOTION



- Concealed runner system for wooden drawers with a panel thickness of 11 to 16 mm
- TANDEM 7/8 extension for ergonomic access
- Includes integrated BLUMOTION motion technology for soft and effortless closing
- Low-friction cylindrical nylon rollers and a soft end stop ensure a feather-light glide
- Tool-free height adjustment via locking device (with T51.1700.04)
- Built-in width and depth tolerance compensation



Drawer depth (SKL) mm	Y mm
300	25
350	25
400	35
450	35
500	30

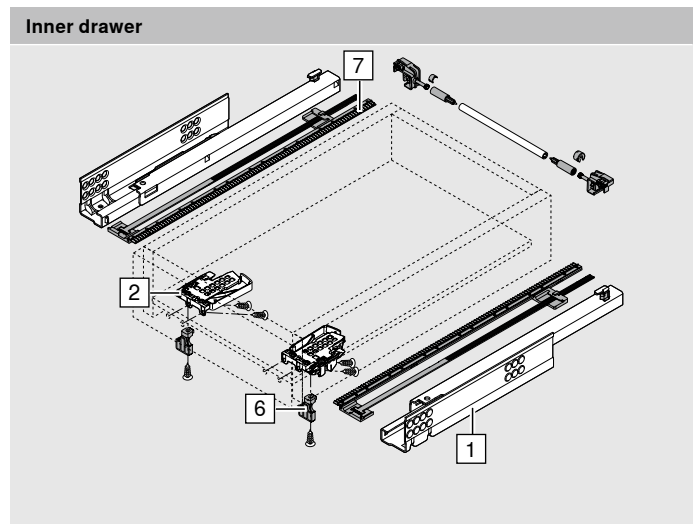
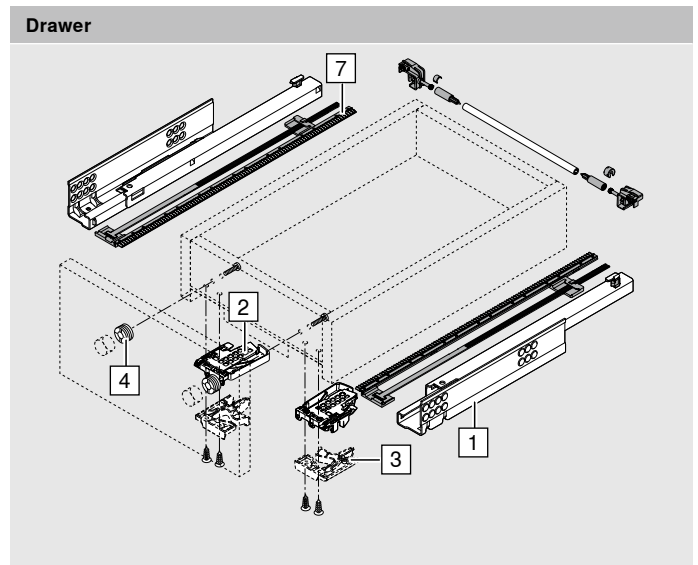
Ordering information

1	Runners left/right		
	Drawer depth SKL mm	Nominal length NL mm	Load bearing capacity 25 kg
	300	325	540H3000B
	350	375	540H3500B
	400	435	540H4000B
	450	485	540H4500B
	500	530	540H5000B
Integrated BLUMOTION			

2	Locking device left/right	
	Nylon/zinc orange	T51.1700.04
	With height adjustment	
	Order left and right	

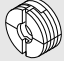
Alternative to 2

3	One-part locking device left/right	
	Nylon R7035 light grey	T51.1400
	Order left and right	
	Cannot be combined with POSISTOP	




## 540H locking device feature – BLUMOTION

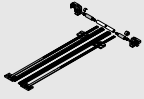
## Accessories

4	Front adjustment bracket	
	Nylon natural	<b>295.1000</b>

6	POSISTOP	
	Material: nylon Colour: RAL 7037 dust grey	<b>298.5500</b>
	Depth stop	
	Can only be combined with locking device T51.1700.04	
	Only for inset applications	

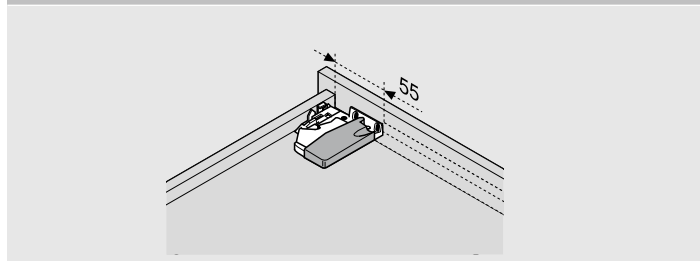
7	Side stabiliser set for 7/8 extension		
	For cutting to size	Nominal length NL (mm)	
	Suitable for cabinet width KB 1400 mm	Up to 400	<b>ZST.410TT</b>
	Colour: RAL 7037 dust grey	Up to 500	<b>ZST.650TT</b>
	Material: nylon	Cutting dimensions: Internal cabinet width LW – 222 mm	

540H locking device feature – BLUMOTION

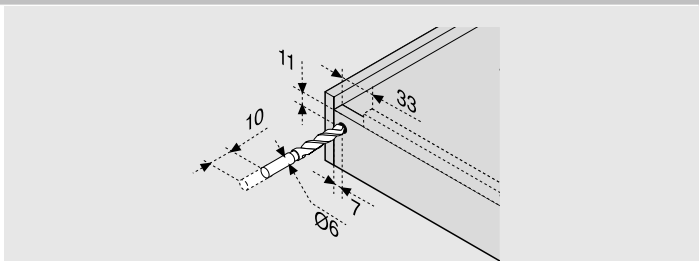
Planning

Space requirements in the cabinet		Drawer/inner drawer		Drawer		Inner drawer	
A	3 mm distance to interchange with full extension	SKW	Internal drawer width	SKL	Drawer depth	ISKL	Inner drawer length
		LW	Internal cabinet width	NL	Nominal length	NL	Nominal length
*	+3 mm with side stabiliser			Y	Drawer back	X	Front thickness
						Y	Drawer back
						*	Additional +2 mm with POSISTOP

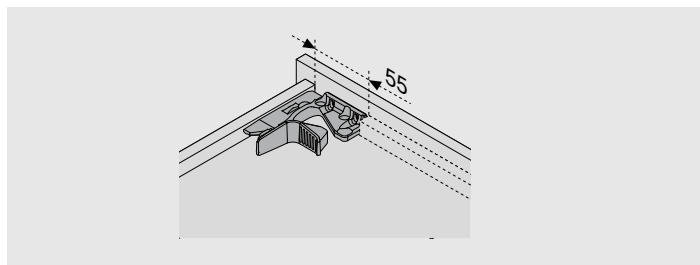
Drawer assembly



Use drilling template T65.1000.02

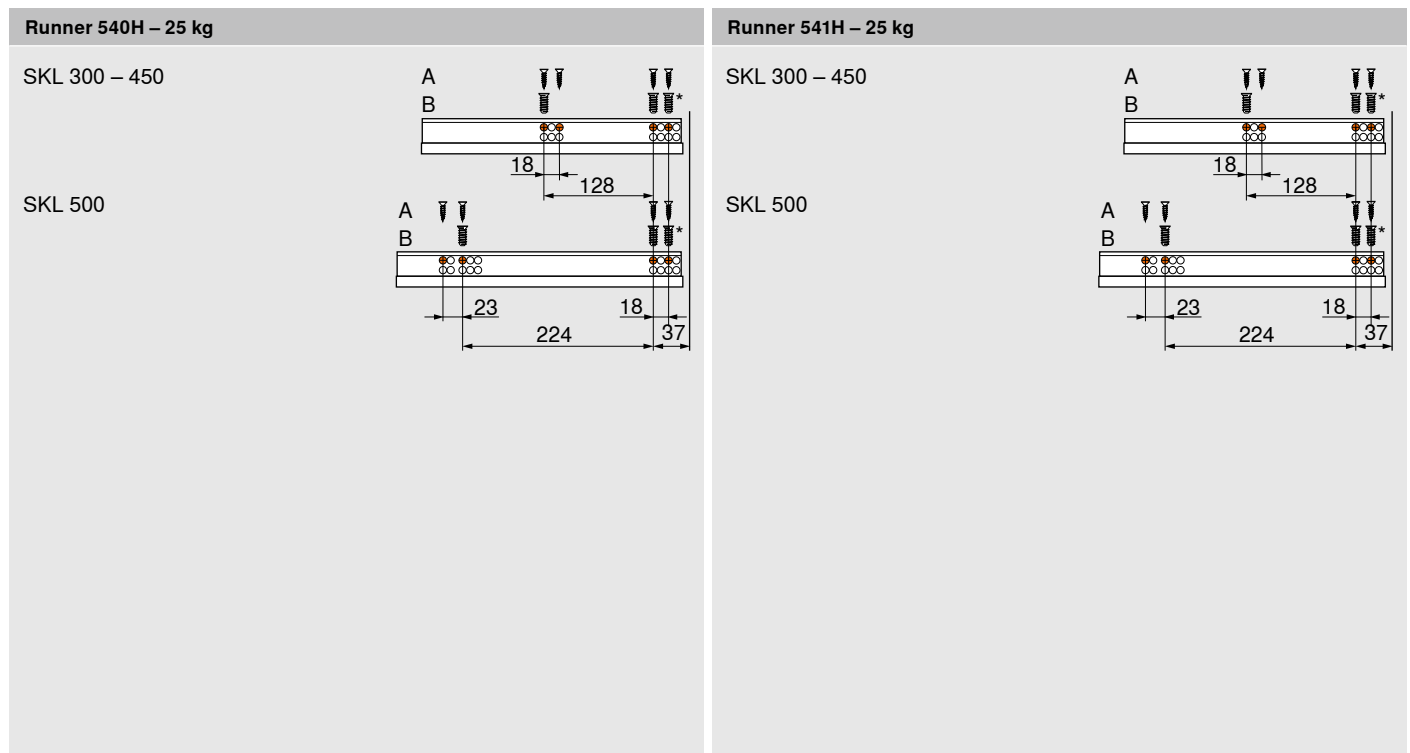


Use drilling template T65.1000.02



Use drilling template T65.1000.02

## Fixing of runners 540H/541H



SKL Drawer depth

A Chipboard screw  $\varnothing 4 \times 15$  mm

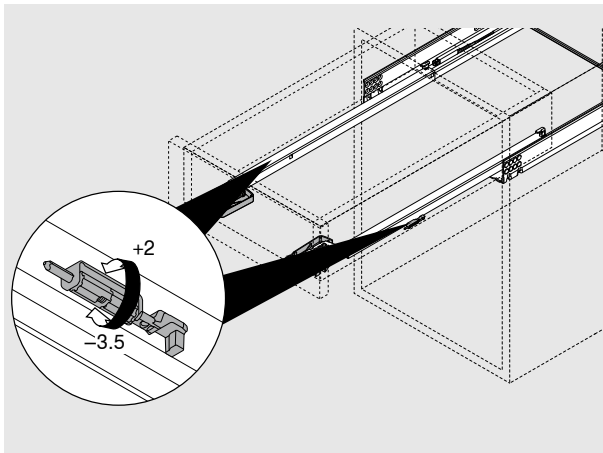
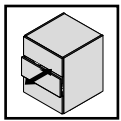
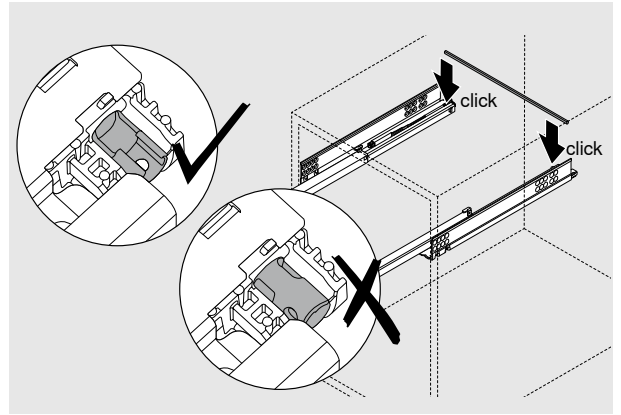
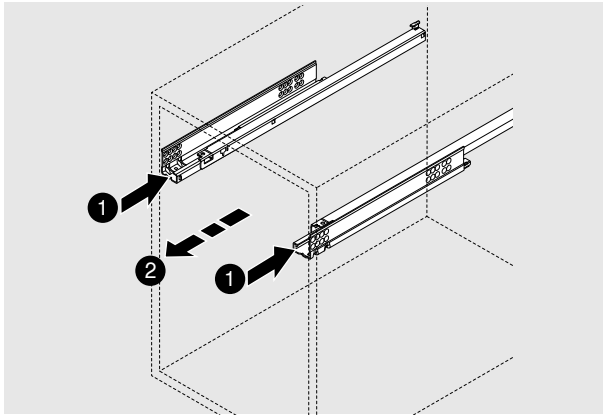
B System screw, part no. 661.1450.HG

\* Can be replaced with chipboard screw  $\varnothing 4 \times 15$  mm

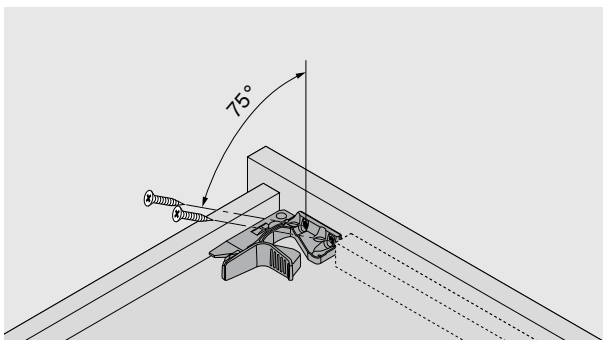
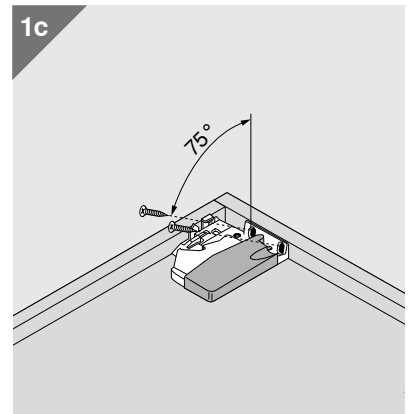
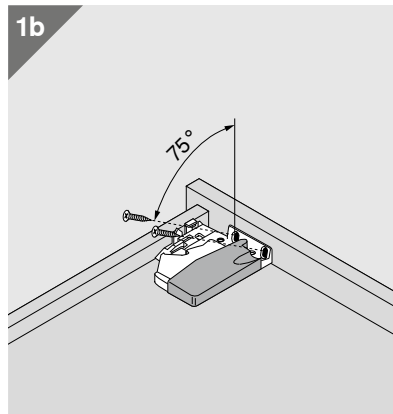
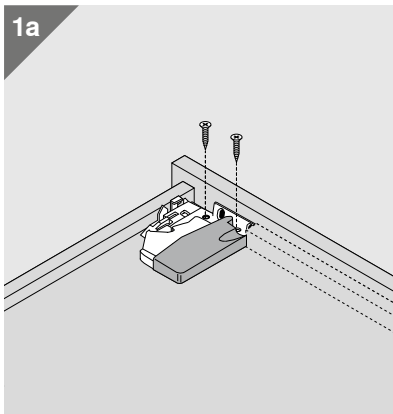
Assembly

540H  
541H

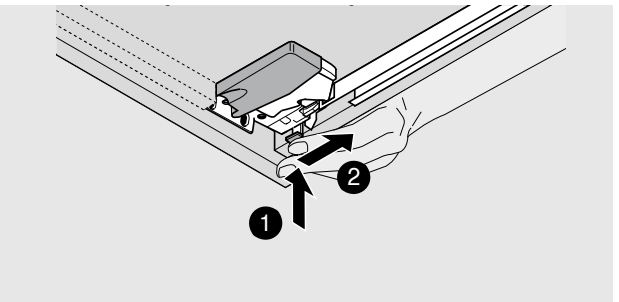
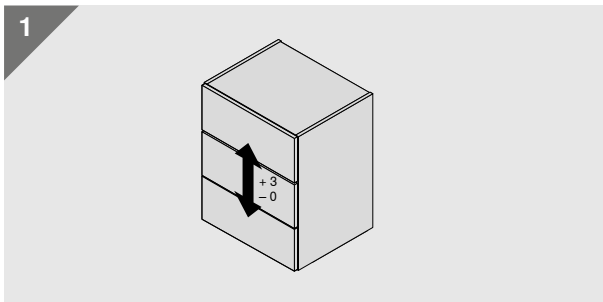
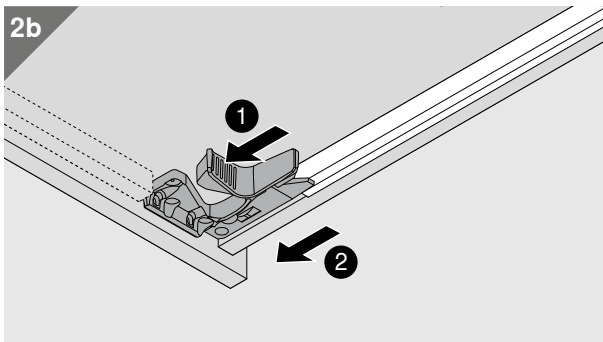
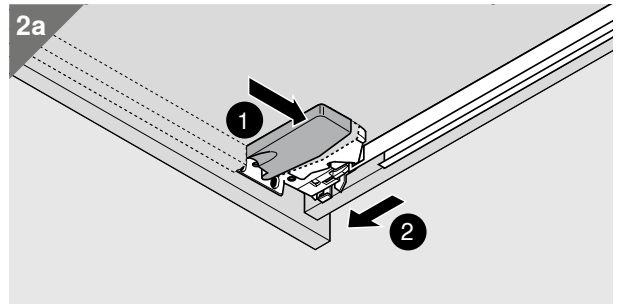
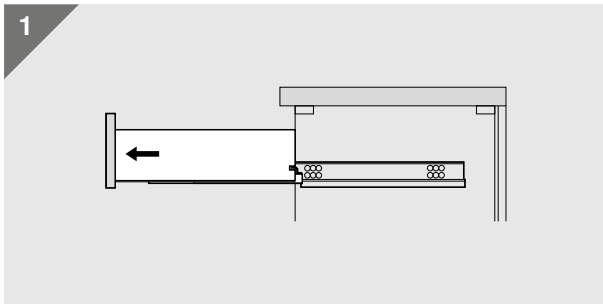
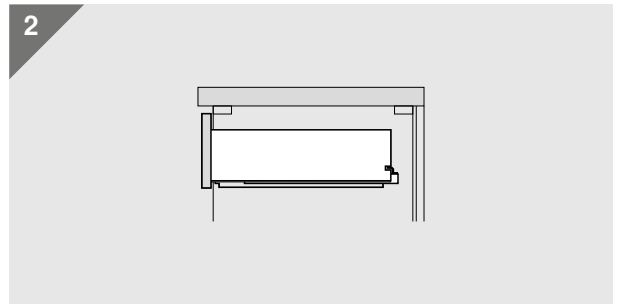
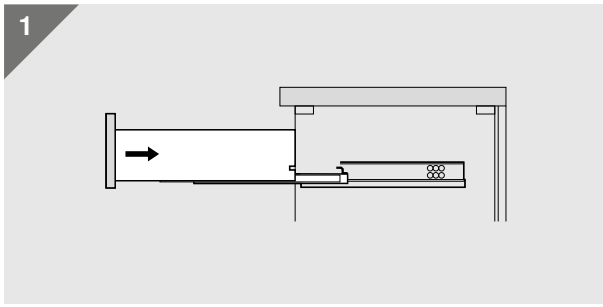
TIP-ON  
by Blum



540H

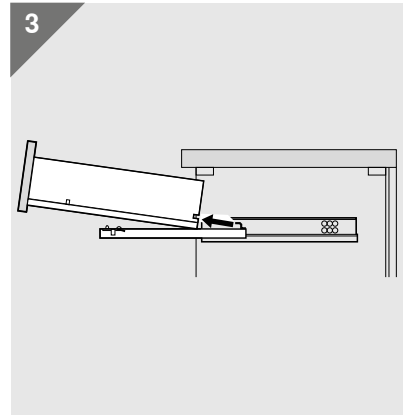
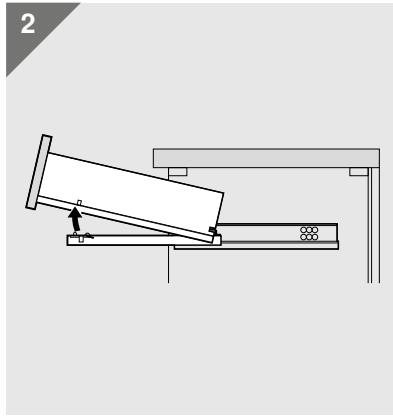
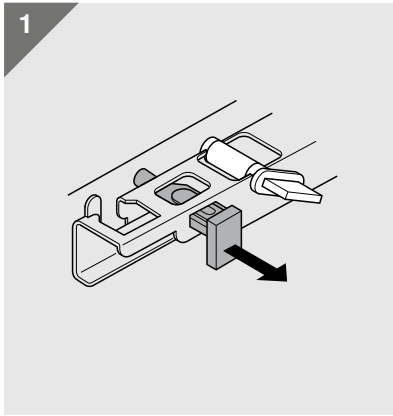
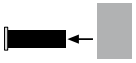
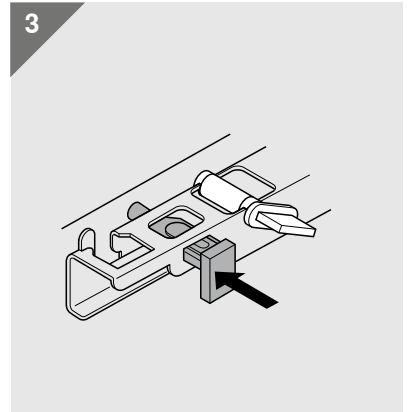
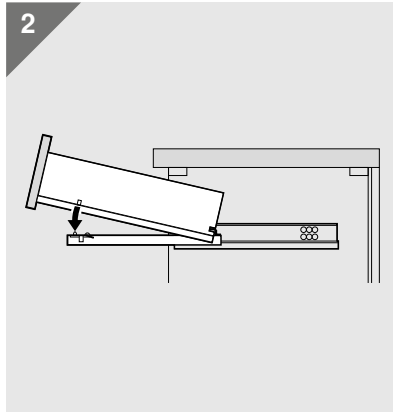
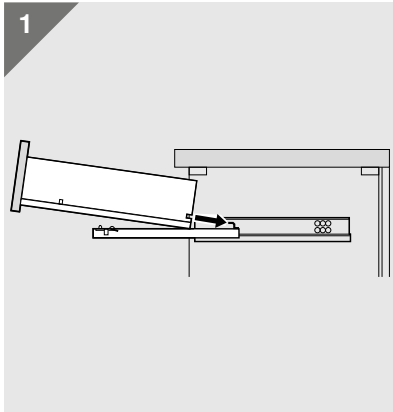


Assembly

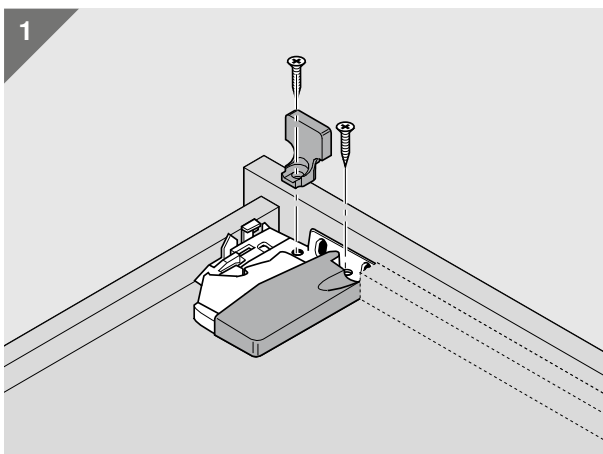
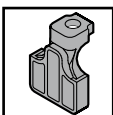
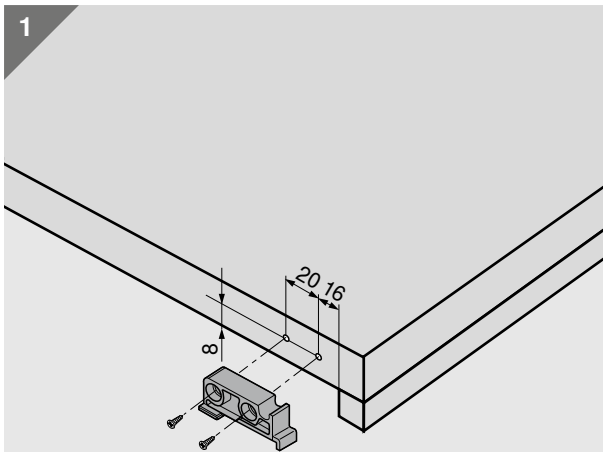
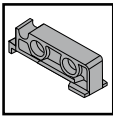
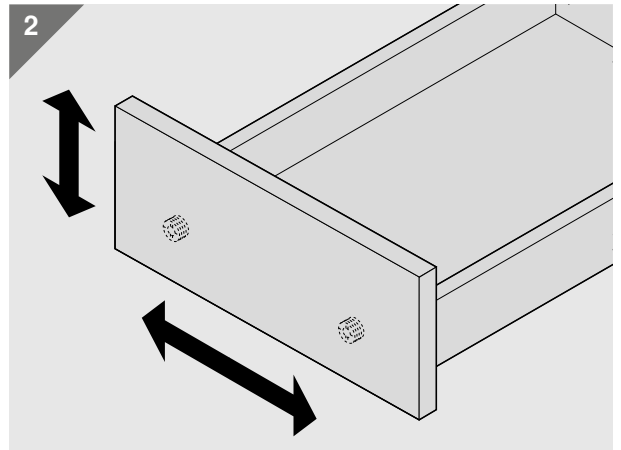
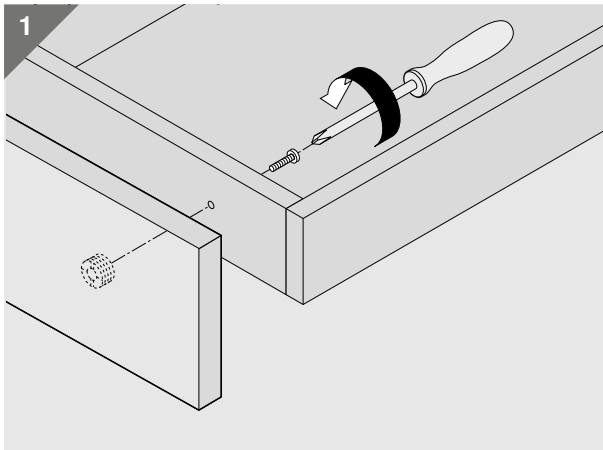
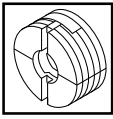


Assembly

541H







Julius Blum GmbH  
Furniture Fittings Mfg.  
6973 Höchst, Austria  
Tel.: +43 5578 705-0  
Fax: +43 5578 705-44  
E-mail: [info@blum.com](mailto:info@blum.com)  
[www.blum.com](http://www.blum.com)

Our sites in Austria, Poland and China are certified to the international standards mentioned below.  
Our site in the USA is certified to ISO 9001.  
Our site in Brazil is certified to ISO 9001 and ISO 14001.



**ISO 9001**  
Certified Quality  
System



**ISO 14001**  
Certified Environmental  
System



**ISO 50001**  
Certified Energy  
System

 **blum**®



Look for our  
FSC™-certified  
products

All content is copyrighted by Blum.  
Subject to technical modifications and changes to the range without notice.  
TD-126/1 EN-AL/12.21