

Hinge systems



- ▶ CLIP top BLUMOTION | CLIP top – hinges
- ▶▶ Profile door application

Hinge systems

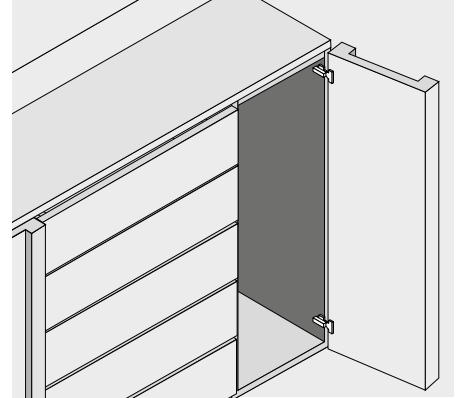
Profile/thick door hinge



- Hinge for **thick doors and doors with profile**
- **CLIP top BLUMOTION** with integrated **BLUMOTION** (with deactivation option)
- **CLIP top** with or without closing mechanism (spring)
- 95° opening angle
- 3-dimensional front adjustment
- Convenient spiral-tech depth adjustment
- Tool-free door to cabinet assembly and removal
- With **INSERTA** tool-free hinge to door assembly

Webcode
DQDITA

Application



Order information

Overlay application

Boss		INSERTA		
Hinge	Spring	Colour	Part no.	
CLIP top BLUMOTION	●	NI ONS	71B9590	
CLIP top	●	NI	71T9590B	
CLIP top	○	NI ONS	70T9590BTL	
● With spring		NI Nickel plated		
○ Unsprung		ONS Onyx black		

Dual application

Boss		INSERTA		
Hinge	Spring	Colour	Part no.	
CLIP top BLUMOTION	●	NI ONS	71B9690	
CLIP top	●	NI	71T9690B	
CLIP top	○	ONS	70T9690BTL	
● With spring		NI Nickel plated		
○ Unsprung		ONS Onyx black		

Inset application

Boss		INSERTA		
Hinge	Spring	Colour	Part no.	
CLIP top BLUMOTION	●	NI ONS	71B9790	
CLIP top	●	NI	71T9790B	
CLIP top	○	ONS	70T9790BTL	
● With spring		NI Nickel plated		
○ Unsprung		ONS Onyx black		

Boss		Screw-on		
Hinge	Spring	Colour	Part no.	
CLIP top BLUMOTION	●	NI ONS	71B9550	
CLIP top	●	NI	71T9550	
CLIP top	○	NI ONS	70T9550.TL	

Boss		Screw-on		
Hinge	Spring	Colour	Part no.	
CLIP top BLUMOTION	●	NI ONS	71B9650	
CLIP top	●	NI	71T9650	
CLIP top	○	NI ONS	70T9650.TL	

Boss		Screw-on		
Hinge	Spring	Colour	Part no.	
CLIP top BLUMOTION	●	NI ONS	71B9750	
CLIP top	●	NI	71T9750	
CLIP top	○	NI ONS	70T9750.TL	

Boss		Knock-in		
Hinge	Spring	Colour	Part no.	
CLIP top BLUMOTION	●	NI ONS	71B9580	
CLIP top	●	NI	71T9580	
CLIP top	○	ONS	70T9580.TL	

Boss		Knock-in		
Hinge	Spring	Colour	Part no.	
CLIP top BLUMOTION	●	NI	71B9680	
CLIP top	●	NI	71T9680	

Boss		Knock-in		
Hinge	Spring	Colour	Part no.	
CLIP top BLUMOTION	●	NI	71B9780	
CLIP top	●	NI	71T9780	

Accessories				
Hinge arm cover cap				
Print Stamp	Logo	Colour	Part no.	
Plain	–	NI ONS	70.1553	
Stamped	Blum	NI	70.1553.BP	

Accessories				
Hinge arm cover cap				
Print Stamp	Logo	Colour	Part no.	
Plain	–	NI ONS	70.1663	
Stamped	Blum	NI	70.1663.BP	

Accessories				
Hinge arm cover cap				
Print Stamp	Logo	Colour	Part no.	
Plain	–	NI ONS	70.1663	
Stamped	Blum	NI	70.1663.BP	

Note

CLIP top BLUMOTION and CLIP top hinges cannot be combined with each other on a door.

Accessories – general

TIP-ON for doors		
Version	Spring	Part no.
Short version	○	956.1004
Extended version	○	956A1004
Extended version	●	956A1006
● With spring	○ Unsprung	

Hinge boss cover cap		
Hinge	Colour	Part no.
CLIP top BLUMOTION	NI ONS	70T3504
CLIP top	NI ONS	70T1504
NI Nickel plated	ONS Onyx black	

Chipboard screws		
Ø (mm)	Length (mm)	Part no.
3.5	15	609.1500
3.5	17	609.1700

Hinge boss spacing		
Hinge	Spacing (mm)	Part no.
CLIP top BLUMOTION	1.5	70T3507.21

Insertion ram		
Colour	Material	Part no.
Orange	Nylon	MZM.0040

Profile/thick door hinge

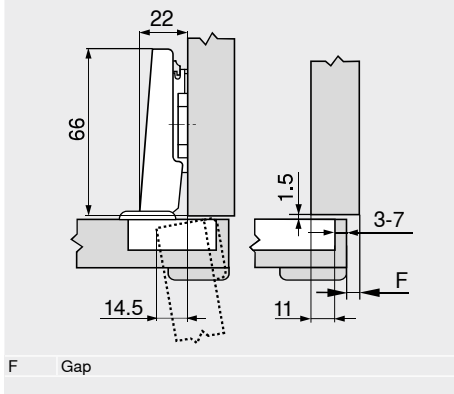
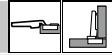
Webcode
DQDITA

Planning

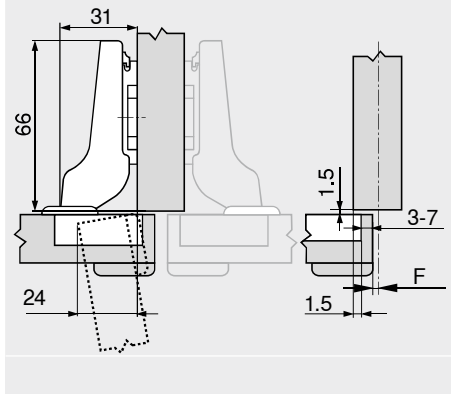
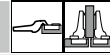
Hinge dimensions and gap calculation based on factory setting (mounting plate spacing = 0 mm)

Hinge and front protrusion at full opening angle

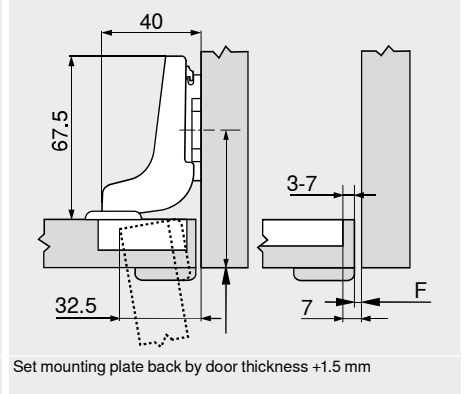
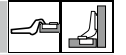
Overlay application



Dual application



Inset application



Drilling distance TB

MD	Front overlay FA (mm)																	
	5	6	7	8	9	10	11	12	13	14	15	16	17	18	19	20	21	22
0																		
3																		
6																		
9																		

MD	Front overlay FA (mm)																	
	-4.5	-3.5	-2.5	-1.5	-0.5	0.5	1.5	2.5	3.5	4.5	5.5	6.5	7.5	8.5	9.5	10.5	11.5	12.5
0																		
3																		
6																		
9																		

MD	Front overlay FA (mm)									
	-7	-6	-5	-4	-3	-2	-1	0	1	2
0										
3										
6										
9										

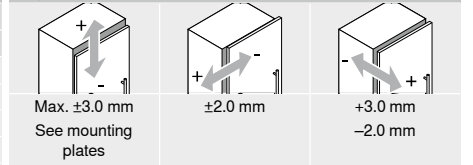
Minimum gap F for fronts with a front radius (R = 1 mm) based on the factory setting

Drilling distance TB (mm)	Front thickness FD (mm)											
	16	18	19	20	22	24	26	28	29	30	31	32
3	0.2	0.3	0.4	0.5	0.8	1.0	1.5	1.9	2.8	3.6	4.5	5.4
4	0.2	0.3	0.4	0.5	0.7	1.0	1.4	1.8	2.5	3.1	4.0	4.8
5	0.2	0.3	0.4	0.5	0.7	1.0	1.4	1.8	2.3	2.7	3.5	4.3
6	0.2	0.3	0.4	0.5	0.7	1.0	1.4	1.8	2.2	2.5	3.2	3.8
7	0.2	0.3	0.4	0.5	0.7	0.9	1.4	1.7	2.1	2.4	3.0	3.5

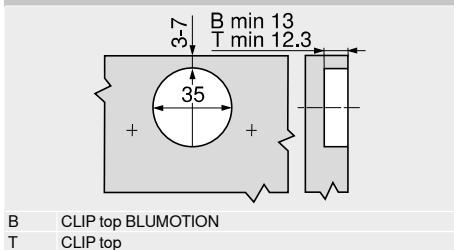
Additional for +2 mm side adjustment

+0.1	+0.2	+0.2	+0.2	+0.3	+0.4	+0.4	+0.5	+0.4	+0.4	+0.4	+0.4	+0.3
------	------	------	------	------	------	------	------	------	------	------	------	------

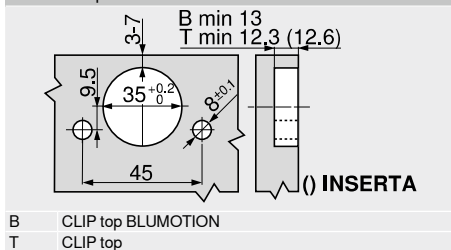
Adjustment



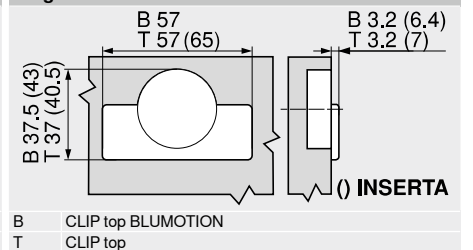
Screw-on



INSERTA | knock-in



Hinge boss dimensions



Page instructions

Overview – CLIP top BLUMOTION CLIP top – hinges	75
Mounting plates	156
Accessories – hinge arm cover cap	164
Accessories – general	166
Overview – BLUMOTION for doors	171

Overview – TIP-ON for doors	185
Overview – assembly devices	561
More technical details	662

Assembly, removal and adjustment

Short-URL
www.blum.com/a210

