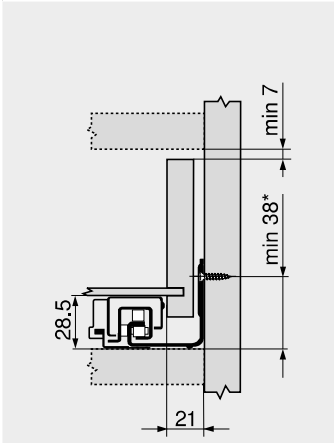


MOVENTO with BLUMOTION – 760H/766H

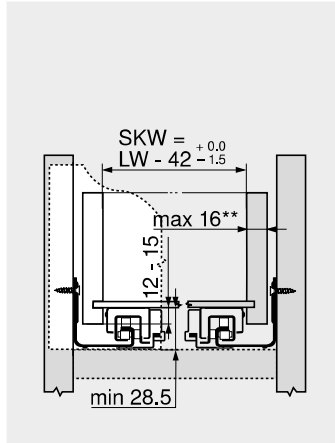
Webcode
 DQCZ3Y

Planning

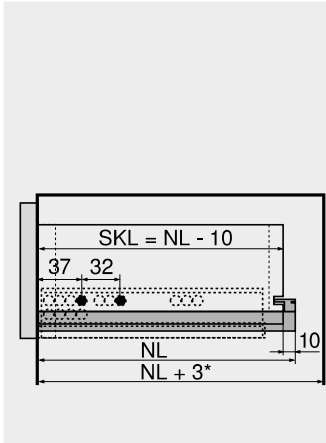
Space requirement in cabinet



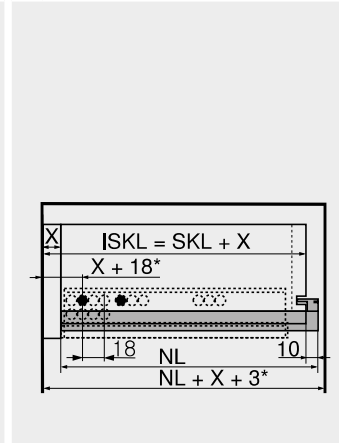
Drawer/inner drawer



Drawer



Inner drawer



* +1 mm for assembly of the cabinet profile on the horizontal cabinet side

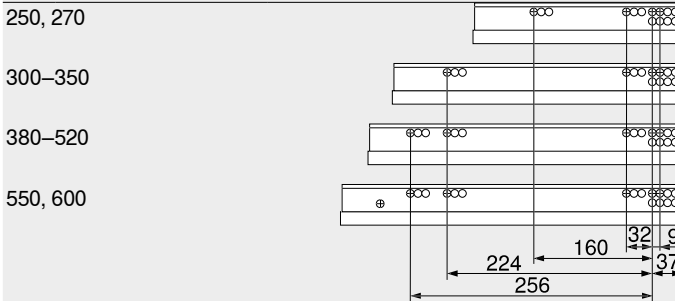
SKW Internal drawer width
 LW Inner cabinet width

SKL Drawer length
 NL Nominal length
 * Additional +12 mm with side stabilisation

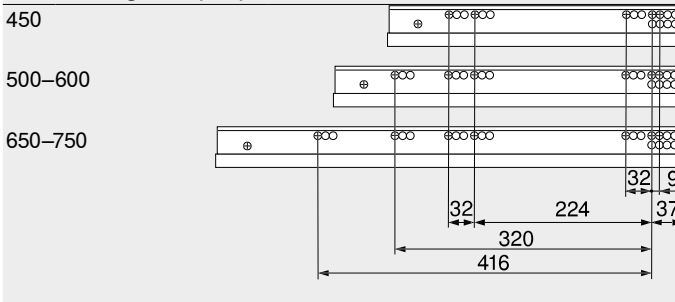
ISKL Inner drawer length
 SKL Drawer length
 NL Nominal length
 * Additional +3 mm with depth adjustment

Screw position – cabinet profiles

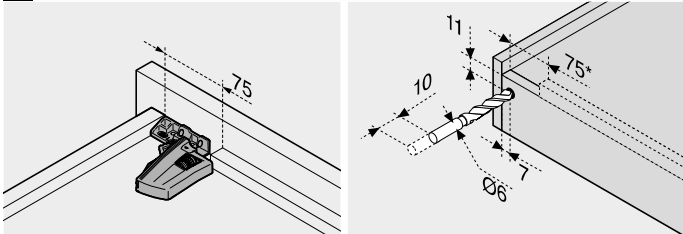
Cabinet profile 760H – 40 kg
 Nominal length NL (mm)



Cabinet profile 766H – 60 kg
 Nominal length NL (mm)



Drawer assembly



Use drilling template T65.1000.02

* TIP-ON BLUMOTION
 125 mm

Note

** Limited side adjustment for a drawer side panel thickness of 16 mm, but with full tolerance utilisation of the internal width of the drawer SKW

Page instructions

Overview – MOVENTO	427	More technical details	774
Overview – SERVO-DRIVE for MOVENTO/TANDEM	591		
Accessories	436		
Cabinet profile fixing positions	441		
Assembly, removal and adjustment	443		
Overview – assembly devices	683		