

Hinge systems



- ▶ **MODUL – hinges**
- ▶▶ **Standard application**

100° hinge

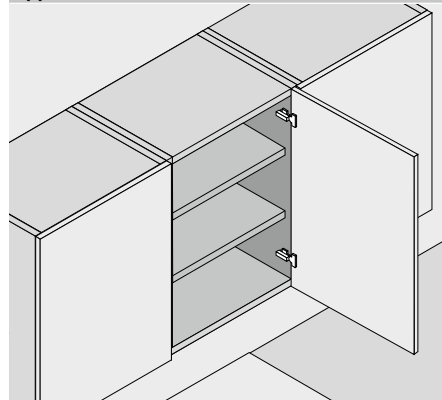
Webcode

DQE3XA



- **MODUL** with closing mechanism (spring)
- Slide on hinge arm
- 100° opening angle
- 3-dimensional front adjustment
- Integrated pull-out stop

Application



Order information

Overlay application

Boss		Screw-on	
Hinge	Spring	Colour	Part no.
MODUL	●	NI	91M2550
● With spring		NI Nickel plated	

Boss		Knock-in	
Hinge	Spring	Colour	Part no.
MODUL	●	NI	91M2580

Accessories

Hinge arm cover cap		Hinge arm cover cap	
Print Stamp	Logo	Colour	Part no.
Plain	–	NI	90M2503
Stamped	Blum	NI	90M2503.BP

Dual application

Boss		Screw-on	
Hinge	Spring	Colour	Part no.
MODUL	●	NI	91M2650
● With spring		NI Nickel plated	

Boss		Knock-in	
Hinge	Spring	Colour	Part no.
MODUL	●	NI	91M2680

Accessories

Hinge arm cover cap		Hinge arm cover cap	
Print Stamp	Logo	Colour	Part no.
Plain	–	NI	90M2603
Stamped	Blum	NI	90M2603.BP

Inset application

Boss		Screw-on	
Hinge	Spring	Colour	Part no.
MODUL	●	NI	91M2750
● With spring		NI Nickel plated	

Boss		Knock-in	
Hinge	Spring	Colour	Part no.
MODUL	●	NI	91M2780

Accessories

Hinge arm cover cap		Hinge arm cover cap	
Print Stamp	Logo	Colour	Part no.
Plain	–	NI	90M2603
Stamped	Blum	NI	90M2603.BP

Accessories – general

Chipboard screws		
Ø (mm)	Length (mm)	Part no.
3.5	15	609.1500
3.5	17	609.1700

Insertion ram		
Colour	Material	Part no.
Orange	Nylon	MZM.0040

100° hinge

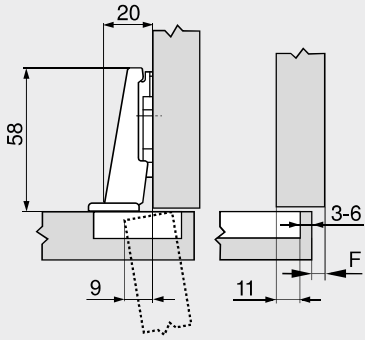
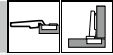
Webcode
DQE3XA

Planning

Hinge dimensions and gap calculation based on factory setting (mounting plate spacing = 0 mm)

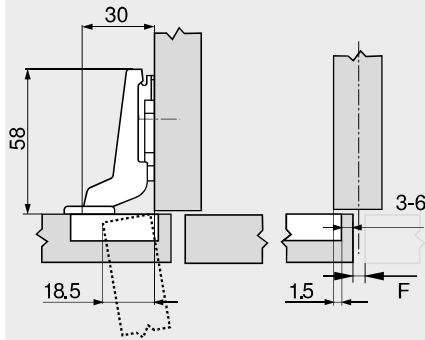
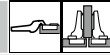
Hinge and front protrusion at full opening angle

Overlay application

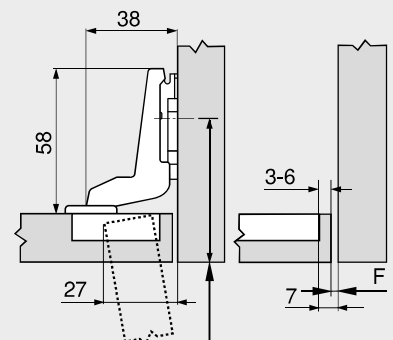
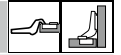


F Gap

Dual application



Inset application



Set mounting plate back by door thickness

Drilling distance TB

MD	Front overlay FA (mm)												
	5	6	7	8	9	10	11	12	13	14	15	16	17
0										3	4	5	6
3										3	4	5	6
9	3	4	5	6									
-													

MD Mounting plate spacing (mm)

MD	Front overlay FA (mm)														
	-4.5	-3.5	-2.5	-1.5	-0.5	0.5	1.5	2.5	3.5	4.5	5.5	6.5	7.5		
0												3	4	5	6
3												3	4	5	6
9	3	4	5	6											
-															

MD Mounting plate spacing (mm)

MD	Front overlay FA (mm)						
	-7	-6	-5	-4	-3	-2	-1
0							
3							
9							
-							

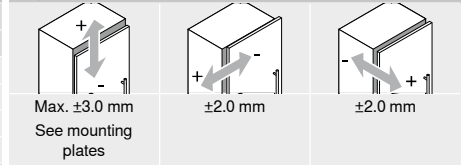
MD Mounting plate spacing (mm)

Minimum gap F for fronts with a front radius (R = 1 mm) based on the factory setting

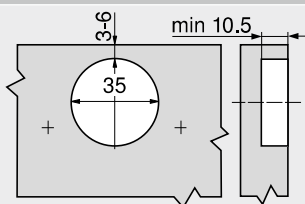
Drilling distance TB (mm)	Front thickness FD (mm)											
	16	18	19	20	21	22	24	26	28	30	31	32
3	0.3	0.5	0.7	1.0	1.3	1.6	3.3	Δ	Δ	Δ	Δ	Δ
4	0.3	0.5	0.7	1.0	1.2	1.6	3.2	Δ	Δ	Δ	Δ	Δ
5	0.3	0.5	0.7	0.9	1.2	1.5	2.6	Δ	Δ	Δ	Δ	Δ
6	0.3	0.5	0.7	0.9	1.1	1.4	2.4	Δ	Δ	Δ	Δ	Δ
Additional for +2 mm side adjustment												
	+0.1	+0.3	+0.3	+0.4	+0.4	+0.5	+0.4					

Δ In these cases a trial is recommended

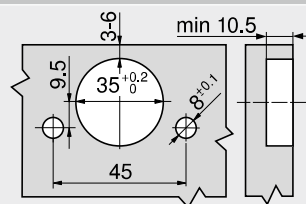
Adjustment



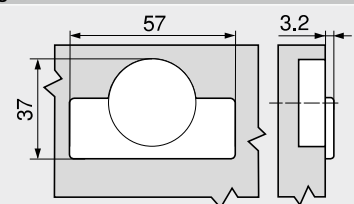
Screw-on



Knock-in



Hinge boss dimensions



Page instructions

Overview – MODUL – hinges	189	Assembly, removal and adjustment
Mounting plates	196	
Accessories – hinge arm cover cap	199	
Accessories – general	200	Short-URL
Overview – assembly devices	561	www.blum.com/a240
More technical details	662	

