

LAMP

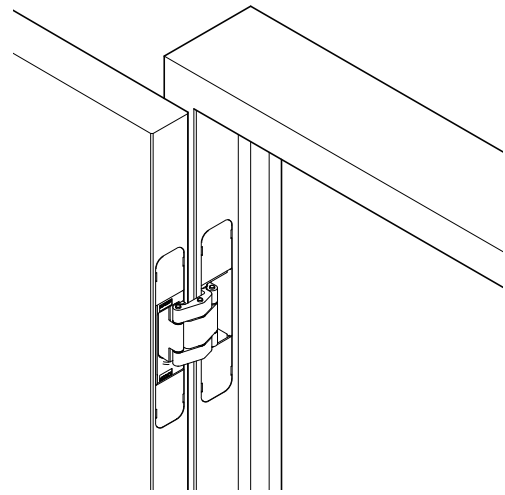
HES
Hinge & Escapement

INSTALLATION MANUAL

FOR HES3D-120 CONCEALED HINGE

Thank you for using our product. Before installation, please read this manual thoroughly to ensure correct installation.

Please keep this manual at hand for future reference.



ABOUT THE PRODUCT

- This product is a concealed hinge for indoor use that is recessed into door and doorframe.
- Three dimensional adjustment function allows vertical, horizontal, and depth adjustment.

DOOR SPECIFICATION

Min. Door thickness	29 mm
Max. Door weight	30 kg per 2 hinges, 40 kg per 3 hinges
Max. Door size	Width: 900 mm, Height: 2400 mm

COMPONENT PARTS (PER BOX)

• Concealed hinge	2 pcs
• Screw cover	4 pcs x 2 bags
• Template	1 pc
• Countersunk head tapping screw 5x20	4 pcs x 2 bags
• Hex Key 3 mm	1 pc

FOR YOUR SAFE WORK AND CORRECT INSTALLATION

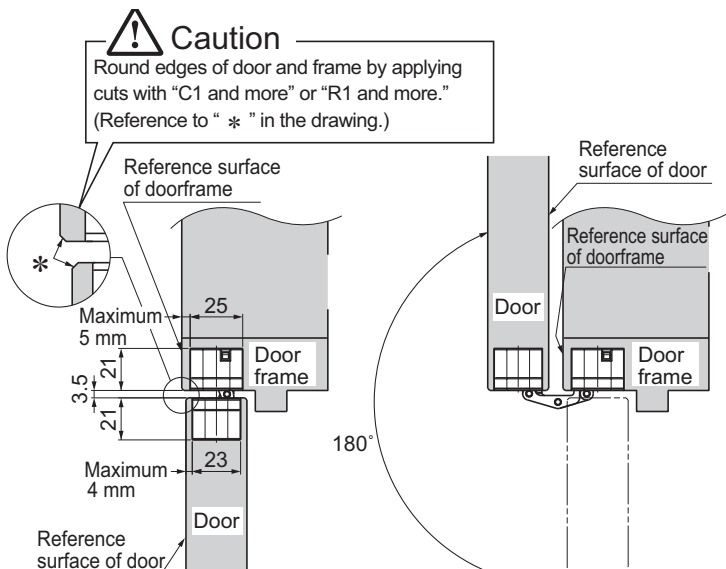
Meaning of symbols



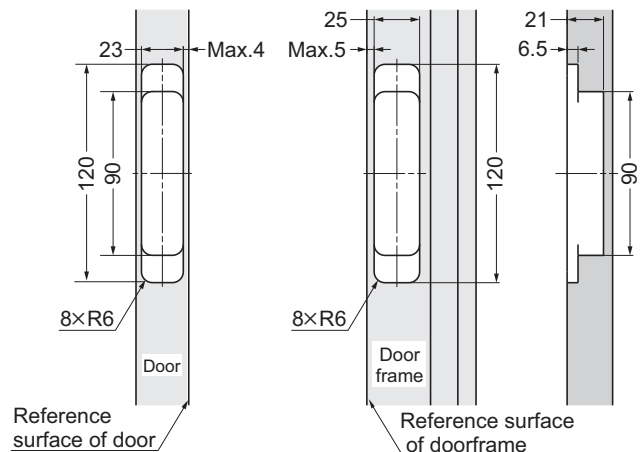
Caution: If not followed, injury or damage may result.

- ❗ Provide a frame that can withstand the weight and impact of opening and closing the door. Be sure to use the specified screws and tighten them securely. If the mounting strength is insufficient, the door may fall and cause injury.
- ⊘ Do not try to use this product for any other purposes other than originally intended for. Do not use the parts for applications that are out of specification.
- ⊘ Use in conjunction with a door closer is not recommended. For soft-close option, we recommend Sugatsune LDD-V or LDD-S door damper. When using a door restrictor, please use HES3D-120-A100 instead.
- ❗ Follow the specified dimensions, specifications, and alignment of the cabinet. Warping, tilting or twisting of the cabinet or door may cause failure.
- ❗ This product is a part for architectural fittings. After installation, please check the function and safety of the final product. Please inform the end user how to use the product safely.
- ❗ Make sure to test the screws for slack at regular intervals (one month from first usage, half year and then one time every year is recommended).

INSTALLATION DRAWING (EXAMPLE)

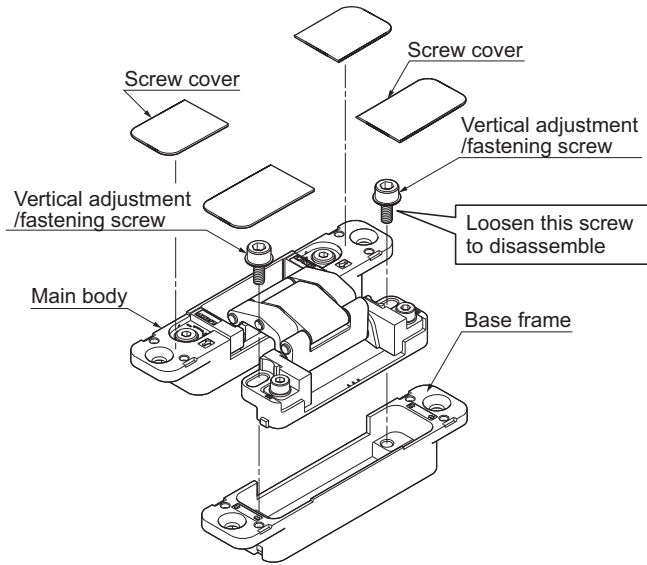


CUT OUT DRAWING FOR DOOR AND DOORFRAME

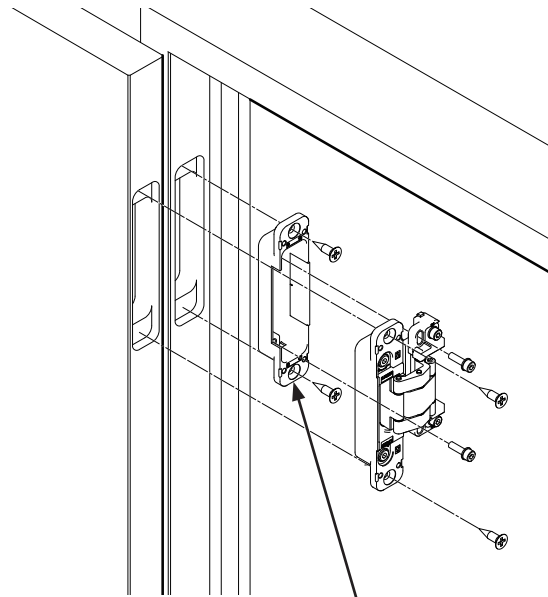


INSTALLATION PROCEDURE

1 Disassembly of Hinge



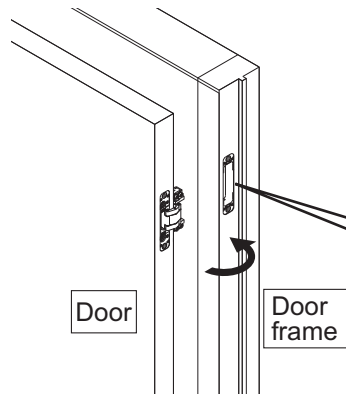
2 Installing Hinge to Door and Cabinet



⚠ Caution

- ⓘ Before installing base frame into doorframe, check that it is oriented correctly. If the orientation is incorrect, the door cannot be installed.

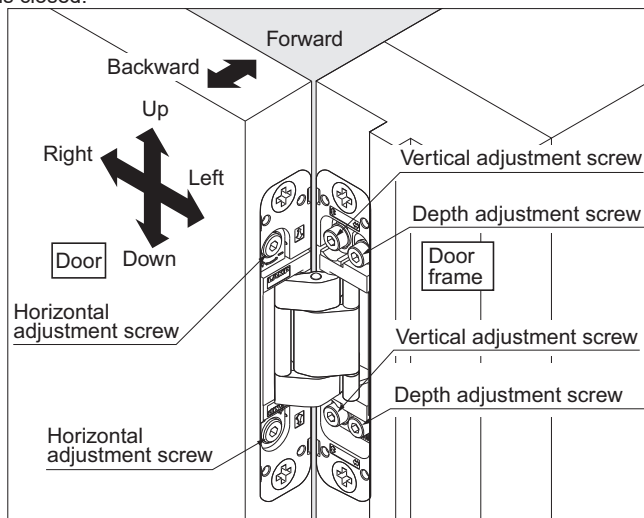
3 Hanging Door



While holding the door, insert the hinge main body into the base frame on the doorframe. Keep holding the door and fix the hinge with the fixing screws at once.

ADJUSTING DOOR POSITION

The arrows should point in the direction of adjustment when the door is closed.



- When adjusting the vertical position or the depth, loosen the screws 360-degree, then hold the door at the suitable position and re-tighten the screws. Use wedges to support the door. (Tightening torque is 3N·m.)

- When adjusting horizontal position, turn Horizontal adjustment screw. (There are two screws per hinge.)

The gap between door and frame will be expanded by turning the screw clockwise.

⚠ Caution

- ⊘ Do not remove the depth adjustment screw. The door may fall and cause injury.
- ⓘ When adjusting the horizontal position, turn the two screws a little, by the same amount. The hinge may be broken if you keep turning one screw only.
- ⚠ Horizontal adjustment range is ± 2 mm. When turning the screw to the right, if you move the part more than 2 mm, the cover cannot be put on, since the part protrudes. If you still turn the screw, the door will fall.

SUGATSUNE KOGYO CO., LTD
Tokyo, JAPAN
Phone: +81 (0)3 3866 2260 E-mail: export@sugatsune.co.jp

SUGATSUNE KOGYO (UK) LTD
Reading, UK
Phone: +44 118 9272 955 E-mail: sales@sugatsune.co.uk

SUGATSUNE EUROPE GmbH
Düsseldorf, GERMANY
Phone: +49 211 53812900 E-mail: sales@sugatsune.eu

ISO9001(Japan Offices and Sugatsune America) and ISO14001(Chiba Production division and Logistics center), certified.

SUGATSUNE SHANGHAI Co., LTD
Shanghai, CHINA
Phone: +86 21 3632 1858 E-mail: lamp@sugatsune.com.cn

Guangzhou, CHINA
Phone: +86 20 6639 3552 E-mail: lamp@sugatsune.com.cn

SUGATSUNE KOGYO INDIA PRIVATE LIMITED
Mumbai, INDIA
Phone: +91 22 28314490/91 E-mail: sales@sugatsune.in

SUGATSUNE AMERICA, INC
California, USA
Phone: +1 310 329 6373 E-mail: sales@sugatsune.com
Chicago, USA
Phone: +1 312 461 1081 E-mail: chicagoshowroom@sugatsune.com.

SUGATSUNE CANADA, INC.
Phone: +1 514 312 5267 E-mail: support@sugatsune.ca