

## Hinge systems



- ▶ CLIP top BLUMOTION | CLIP top – hinges
- ▶▶ Thin door application

### Hinge for thin doors

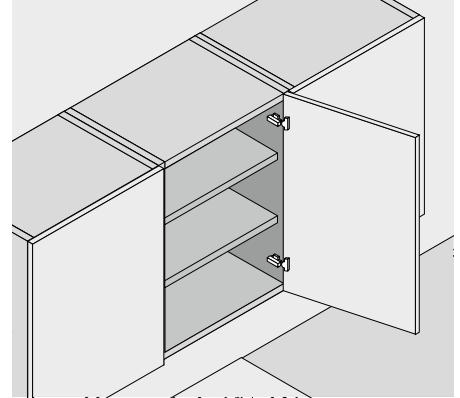
Webcode

DQGT1A

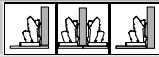


- Thin fronts from 8–14 mm
- EXPANDO T fixing system for a variety of front materials
- CLIP top BLUMOTION with integrated BLUMOTION (with deactivation option)
- CLIP top with or without closing mechanism (spring)
- 0-protrusion (for cabinets with inner pull-outs or pull-out shelves)
- 110° opening angle
- 3-dimensional front adjustment
- Tool-free door to cabinet assembly and removal

#### Application



#### Order information



The different overlay applications can be achieved with the appropriate fixing positions

Boss		<input type="checkbox"/> EXPANDO T	
Hinge	Spring	Colour	Part no.
CLIP top BLUMOTION	●	NI   ONS	71B453T
CLIP top	●	NI	71T453T
CLIP top	○	NI	70T453T.TL
● With spring		NI Nickel plated	
○ Unsprung		ONS Onyx black	

#### Area of application – EXPANDO T

EXPANDO T is suitable for fixing Blum fittings to thin front materials in furniture manufacturing

With sufficient stability and strength, front materials of 8 mm thickness and above may be used

#### Area of application and assembly recommendation

Materials tested by Blum	Transverse tensile strength (N/mm <sup>2</sup> )	Min. tightening torque (Nm)
Chipboard	> 0.40	1.5
MDF	> 0.60	1.5
HDF		2
HPL		2
Mineral composites		2
Nero Assoluto natural granite stone		3
Quartz composite artificial stone		3
Ceramic plates		3

#### Accessories

Hinge arm cover cap			
Print   Stamp	Logo	Colour	Part no.
Plain	–	NI   ONS	70.4503
Stamped	Blum	NI	70.4503.BP

#### Limitation of liability

Blum accepts no liability for the use of EXPANDO T in combination with materials not listed or fittings from other manufacturers

It is recommended that the assembly be carried out by an experienced furniture manufacturer

#### Note

A trial application is recommended when combining CLIP top BLUMOTION hinges and CLIP top hinges with springs on small, light fronts up to 300 mm wide. Combining these is not recommended for wider fronts.

#### Accessories – general

Opening angle stop		
Opening angle	Colour	Part no.
85°	Dark grey	70T4503
92°	R7037	70T4503.09
R7037	RAL 7037 dust grey	

TIP-ON for doors			
Version	Hinge	Spring	Part no.
Short version	CLIP top	○	956.1004
Extended version	CLIP top	○	956A1004
Extended version	CLIP top	●	956A1006
● With spring		○ Unsprung	

Hinge boss cover cap		
Hinge	Colour	Part no.
CLIP top BLUMOTION	NI   ONS	70T4504
CLIP top	NI	70T4504
NI Nickel plated	ONS Onyx black	

Hinge for thin doors

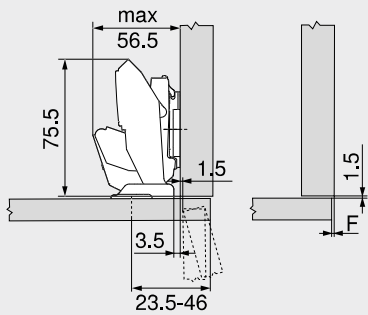
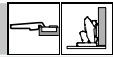
Webcode  
DQGT1A

Planning

Hinge dimensions and gap calculation based on factory setting (mounting plate spacing = 0 mm)

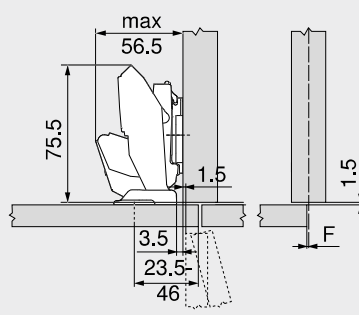
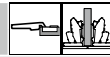
Hinge and front protrusion at 90° opening angle

Overlay application



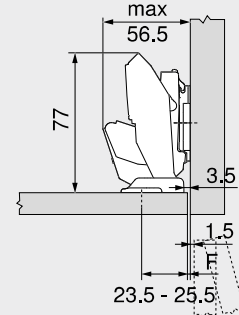
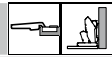
F Gap

Dual application



F Gap

Inset application



Set mounting plate back by door thickness +1.5 mm

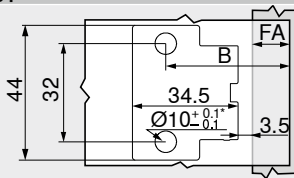
F Gap

Fixing position

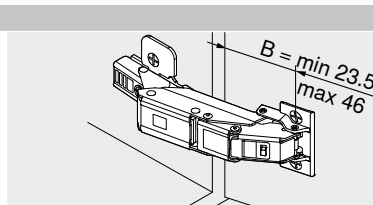
MD	Front overlay FA (mm)																	
	-3.5	-3	-2.5	-2	-1.5	-1	2.5	4	5.5	7	8.5	10	11.5	13	14.5	16	17.5	19
0	23.5	24	24.5	25	25.5	26	29.5	31	32.5	34	35.5	37	38.5	40	41.5	43	44.5	46
3	26.5	27	27.5	28	28.5	29	32.5	34	35.5	37	38.5	40	41.5	43	44.5	46		
6	29.5	30	30.5	31	31.5	32	35.5	37	38.5	40	41.5	43	44.5	46				
9	32.5	33	33.5	34	34.5	35	38.5	40	41.5	43	44.5	46						

MD Mounting plate spacing (mm)

Fixing position

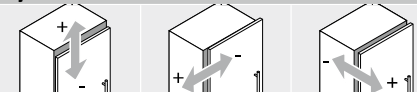


B Fixing position  
B = FA + 27 mm  
FA Front overlay  
\* Stone and ceramic +0.2/-0.1 mm



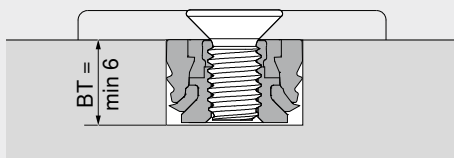
B Fixing position

Adjustment



Max. ±3.0 mm  
See mounting plates  
±2.0 mm  
+3.0 mm  
-2.0 mm

Drilling depth



BT Drilling depth

Mounting plate spacing MD – cabinet hinge side on the wall

SWD (mm)	Front thickness FD (mm)							
	8	9	10	11	12	13	14	
15								
16								
17								
18								
19								
20								

SWD Cabinet side panel thickness  
  Mounting plate spacing MD 0 mm possible  
  Mounting plate spacing MD 3 mm required  
  Mounting plate spacing MD 6 mm required

Page instructions

Overview – CLIP top BLUMOTION   CLIP top – hinges	75	Overview – TIP-ON for doors	185	More technical details	662
Mounting plates	156	Assembly recommendation and limitation of liability – EXPANDO T	555	<b>Assembly, removal and adjustment</b>	
Accessories – hinge arm cover cap	164	Fixing system for thin fronts – EXPANDO T	554	Short-URL <a href="http://www.blum.com/a210">www.blum.com/a210</a>	
Accessories – general	166	Overview – assembly devices	561		