

3-WAY ADJUSTABLE CONCEALED HINGE HES2S-140-A125 125° Opening

INSTRUCTION



Passed 300,000 open/close private cycle test

Dark Grey

Light Grey



Closed

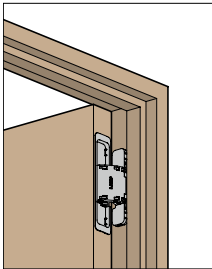


Back



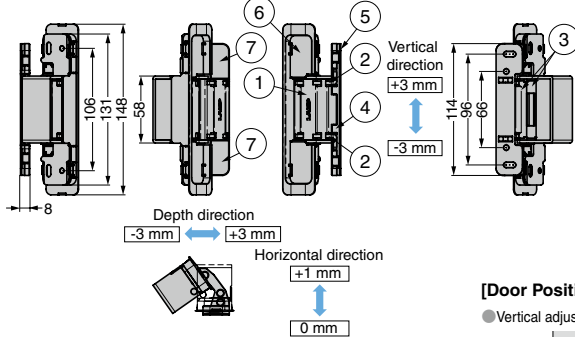
With cover and plate removed

[Usage Image]



With front screws not requiring frame side drilling, installation is simple.

[Opened to 125°] (with cover)



No.	Part Name	Material	Finish / Colour
①	Body	POM	Dark Grey, Light Grey
②	Base Plate	SPCC	Nickel
③	Arm	Zinc Alloy (ZDC)	Chemical Treatment
④	Distance Plate	PBT	Dark Grey, Light Grey
⑤	Horizontal Adjustment Plate	POM	
⑥	Socket Cover	ABS	
⑦	Base Plate Cover		

- Surface mount for door frame enables easy installation.
- 3-way adjustment function allows vertical, horizontal, and depth adjustment after hinge installed.

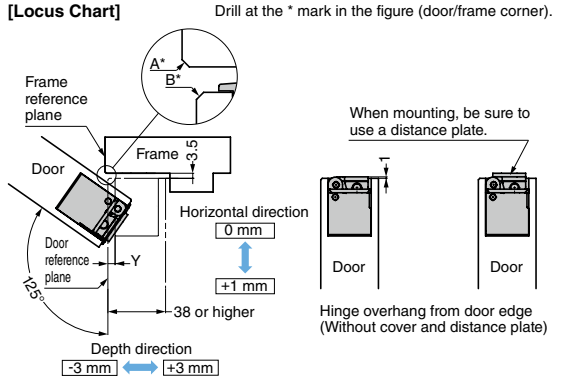
[Remarks]

- Use with a door stopper, etc. to prevent opening farther than 125°.
- The hinge cannot be divided between the door and frame.

[Parts included]

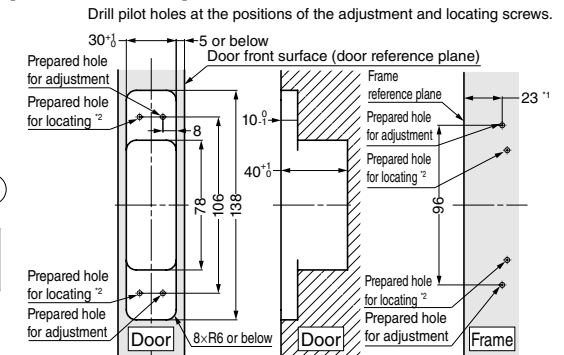
- Countersunk head tapping screw 4x20 (8 pcs/hinge) Steel
- Door side drilling/frame side mounting template

[Locus Chart]



Y: Door Machining Margin	B: Door chamfering	A: Frame chamfering
4 or below	1 or higher	1 or higher
5		

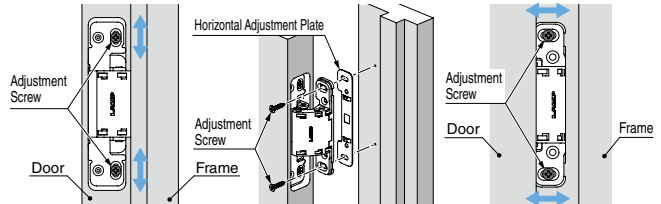
[Cut Out Dimensions]



¹ When door machining margin is 5 mm.
² The position of prepared hole for locating changes according to adjustment.

[Door Position Adjustment]

- Vertical adjustment (±3 mm)
- Horizontal adjustment (+1 mm)
- Depth adjustment (±3 mm)



Adjust in the vertical/depth directions with oval hole screws and in the horizontal direction with the plate.

RoHS	CAD	Item Code	Item Name	Colour	Door Width	Door Height	Door Thickness	Door Weight kgf/2 pcs	Door Weight kgf/3 pcs	Opening Angle
-	3D	170-053-252	HES2S-140-A125-DGR	Dark Grey	Max. 900	Max. 2700	Min. 38	50	65	125°
-	3D	170-053-253	HES2S-140-A125-LGR	Light Grey						

TORQUE HINGES

DAMPER HINGES

LIFT ASSIST HINGES

DETENT HINGES

CONCEALED HINGES

BUTT HINGES

PIANO HINGES

STEP HINGES

LIFT-OFF HINGES

PIVOT HINGES

SPRING HINGES

CLEAN ROOM HINGES

HINGES FOR ALUMINIUM FRAME

DROP HINGES

GLASS DOOR HINGES

SPECIAL HINGES