

# Hinge systems



- ▶ CLIP top BLUMOTION | CLIP top – hinges
- ▶▶ Glass door application

Hinge systems

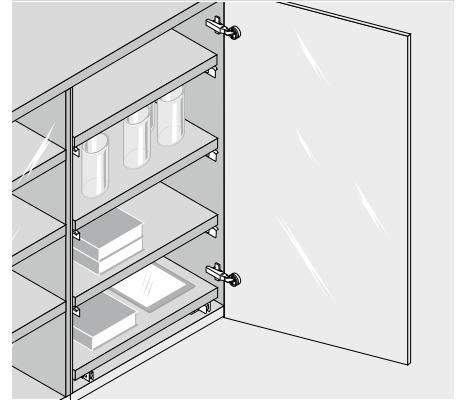
## Glass door hinge

Webcode  
DQDP5A



- Glass door hinge
- For glass thickness 4.5–7 mm
- CLIP top with closing mechanism (spring)
- 94° opening angle
- 3-dimensional front adjustment
- Convenient spiral-tech depth adjustment
- Tool-free door to cabinet assembly and removal
- Boss fixing screws are included

### Application



### Order information

#### Overlay application

Boss		Screw-on		
Hinge	Spring	Colour	Part no.	
CLIP top	●	NI	75T4100	
● With spring		NI	Nickel plated	

Hinge boss cover cap		
Colour	Part no.	
S   G   CR   NI-M	84.4120	
S Black	G Gold plated	
CR Chrome plated	NI-M Matt nickel	

Hinge boss cover cap		
Colour	Part no.	
S   G   CR   NI-M	84.4140	
S Black	G Gold plated	
CR Chrome plated	NI-M Matt nickel	

#### Accessories

BLUMOTION 971A		
Version	Part no.	
In adapter plate for overlay application	971Axxxx	

Hinge arm cover cap			
Print   Stamp	Logo	Colour	Part no.
Plain	–	NI	70.1553
Stamped	Blum	NI	70.1553.BP

#### Dual application

Boss		Screw-on		
Hinge	Spring	Colour	Part no.	
CLIP top	●	NI	75T4200	
● With spring		NI	Nickel plated	

Hinge boss cover cap		
Colour	Part no.	
S   G   CR   NI-M	84.4120	
S Black	G Gold plated	
CR Chrome plated	NI-M Matt nickel	

Hinge boss cover cap		
Colour	Part no.	
S   G   CR   NI-M	84.4140	
S Black	G Gold plated	
CR Chrome plated	NI-M Matt nickel	

#### Accessories

BLUMOTION 970A		
Version	Part no.	
For drilling	970A1002	

Hinge arm cover cap			
Print   Stamp	Logo	Colour	Part no.
Plain	–	NI	70.1553
Stamped	Blum	NI	70.1553.BP

#### Inset application

Boss		Screw-on		
Hinge	Spring	Colour	Part no.	
CLIP top	●	NI	75T4300	
● With spring		NI	Nickel plated	

Hinge boss cover cap		
Colour	Part no.	
S   G   CR   NI-M	84.4120	
S Black	G Gold plated	
CR Chrome plated	NI-M Matt nickel	

Hinge boss cover cap		
Colour	Part no.	
S   G   CR   NI-M	84.4140	
S Black	G Gold plated	
CR Chrome plated	NI-M Matt nickel	

#### Accessories

BLUMOTION 970A		
Version	Part no.	
For drilling	970A1002	

Hinge arm cover cap			
Print   Stamp	Logo	Colour	Part no.
Plain	–	NI	70.1553
Stamped	Blum	NI	70.1553.BP

### Accessories – general

TIP-ON for doors		
Version	Spring	Part no.
Extended version	●	956A1006
● With spring		

Glass door hinge

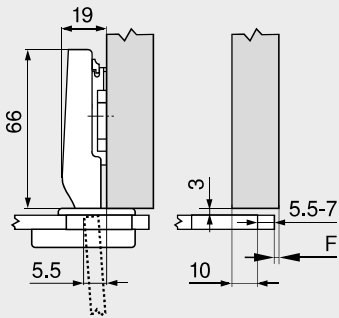
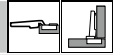
Webcode  
DQDP5A

Planning

Hinge dimensions and gap calculation based on factory setting (mounting plate spacing = 0 mm)

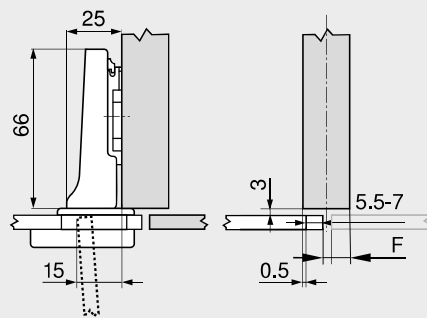
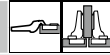
Hinge and front protrusion at full opening angle

Overlay application



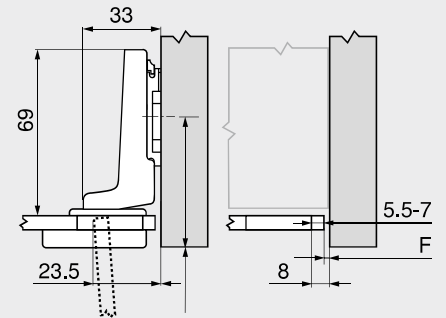
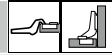
F Gap

Dual application



F Gap

Inset application



F Gap  
Set mounting plate back by glass thickness and height of cover cap +3 mm

Drilling distance TB

MD	Front overlay FA (mm)										
	7	8	9	10	11	12	13	14	15	16	17
0										6	7
3							6	7			
6				6	7						
9	6	7									

MD Mounting plate spacing (mm)

MD	Front overlay FA (mm)										
	-2.5	-1.5	-0.5	0.5	1.5	2.5	3.5	4.5	5.5	6.5	7.5
0										6	7
3							6	7			
6				6	7						
9	6	7									

MD Mounting plate spacing (mm)

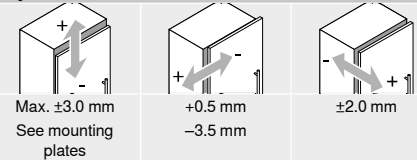
MD	Front overlay FA (mm)					
	-2.5	-2	-1.5	-1		
0			5.5	6	6.5	7
3						
6						
9						

MD Mounting plate spacing (mm)

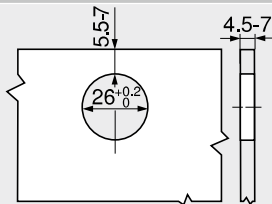
Minimum gap F for fronts with a front radius (R = 1 mm) based on the factory setting

For glass thicknesses from 4.5 to 7 mm no gap is required

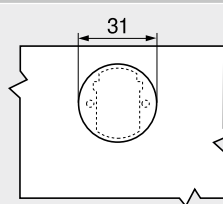
Adjustment



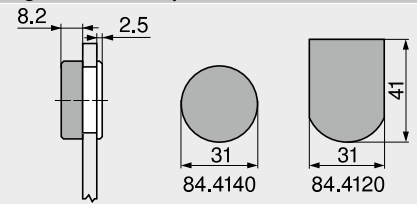
Screw-on



Hinge boss dimensions



Hinge boss cover cap



Page instructions

Overview – CLIP top BLUMOTION   CLIP top – hinges	75
Mounting plates	156
Accessories – hinge arm cover cap	164
Accessories – general	166
Overview – BLUMOTION for doors	171

Overview – assembly devices  
More technical details

561  
662

Assembly, removal and adjustment

Short-URL  
[www.blum.com/a210](http://www.blum.com/a210)

