



AVENTOS HK-XS

Small fitting, great convenience

www.blum.com

 **blum**[®]



Small fitting – high quality

AVENTOS HK-XS is the compact fitting for small stay lifts in high and wall cabinets. Thanks to the narrow style, AVENTOS HK-XS offers a high level of design freedom.

 **blum**

Contents

- 4** Quality of motion
- 6** Wide range of applications
- 8** Assembly
- 10** TIP-ON for handle-less lift systems
- 11** AVENTOS programme
- 12** Ordering and planning information
- 18** Blum

High quality of motion – typical of AVENTOS

AVENTOS HK-XS proves itself with the familiar AVENTOS quality of motion. Stay lifts open and close with seemingly weightless movement. They close silently and effortlessly in combination with CLIP top BLUMOTION hinges.

 blum®



High quality of motion

The variable stop allows the lift system to remain in any desired position and always within easy reach.



Numerous possibilities

Whether thick wooden fronts with wide or narrow aluminium frames, the fixing positions always remain the same. This allows different materials and front thicknesses to be easily integrated.



Proven Blum quality

The lift mechanism with a robust spring package is the core element of the compact fitting. The AVENTOS HK-XS proves itself in this way with high stability and durability. High quality is ensured for the lifetime of the furniture.



A wide range of applications in every living area

The compact design of the AVENTOS HK-XS means that cabinets with small internal depths can be equipped easily. The symmetrical lift mechanism can be used on one or both sides. For the widest range of applications and a high level of design freedom.

 blum®



Wide folding fronts

If the lift mechanism is utilised on both sides, large, heavy fronts can also be used.



Above the extractor

Thanks to the small installation depth, it is possible with AVENTOS HK-XS to make optimal use of the space above the extractor, for example.



In the mirror cabinet

Wall cabinets with small internal depths are also ideal for use in the bathroom, for example over the sink. This has the advantage that storage items are well organised and always close to hand.





Cabinet fixing

There are various fixing methods available for fixing the lift mechanism to the cabinet. The fixing positions always remain the same, regardless of the thickness and material of the front.



Front fixing bracket

Fixing brackets are available for wooden fronts and for wide or narrow aluminium frames.



CLIP mechanism

The lift mechanism can be assembled tool-free using the CLIP mechanism.



Easy assembly

AVENTOS HK-XS can be assembled virtually tool-free. The infinitely variable adjustment is carried out from the front using the adjustment screw. Calibration helps to ensure the front is balanced. This guarantees the front will stop in any desired position.



> View assembly video
www.blum.com/Z3VmS

The Blum logo, consisting of a stylized upward-pointing arrow followed by the word "blum" in a lowercase, sans-serif font.

TIP-ON for handle-less stay lifts

Handle-less furniture has become an increasingly popular fixed element of modern furniture design. TIP-ON, the mechanical opening system, makes opening easy and convenient – also compatible with AVENTOS HK-XS.

blum®



Easy opening

A single touch on the front releases the lift system so that you can open it upwards with ease.



Colour variants

The TIP-ON unit is available with matching adapter plates. The adapter plate is also available with a nickel finish. This allows it to be integrated discreetly into the cabinet or to create contrasts in colour.



Integrated front gap adjustment

The front gap adjustment is integrated in all versions and can also be used with drilled in TIP-ON. The front gap can be made larger or smaller by simply turning the ejector.

AVENTOS – An inspiring range of lift systems

AVENTOS lift systems ensure high quality of motion. Whether in the kitchen or another living area, for small fronts or large, AVENTOS ensures that lift systems can be opened with consummate ease. Freedom of movement is guaranteed throughout, and fronts are always out of the user's way.



BLUMOTION
by Blum
SERVO-DRIVE
by Blum

AVENTOS HF

Bi-fold lift system

- Ideal for high, bi-fold fronts in wall cabinets
- Low upward space requirement
- Can be used with fronts of different heights



BLUMOTION
by Blum
SERVO-DRIVE
by Blum

AVENTOS HS

Up & over lift system

- Ideal for large, one-part fronts in wall cabinets
- The lift system pivots over the cabinet
- Can also be combined with cornice or crown moulding



BLUMOTION
by Blum
SERVO-DRIVE
by Blum

AVENTOS HL

Lift up

- Ideal for large, one-part fronts in larders and wall cabinets
- Suitable for use with fronts above it
- Conceals electronic devices, for example, behind a continuous front



BLUMOTION
by Blum
SERVO-DRIVE
by Blum
TIP-ON
by Blum

AVENTOS HK

Stay lift

- Ideal for heavy fronts in wall cabinets
- Low upward space requirement
- Complete fitting



BLUMOTION
by Blum
TIP-ON
by Blum

AVENTOS HK-S

Small stay lift

- Ideal for small fronts in top wall cabinets
- Lift mechanism fits harmoniously into small cabinets, e.g. above the refrigerator or larder
- Complete fitting



BLUMOTION
by Blum
TIP-ON
by Blum

AVENTOS HK-XS

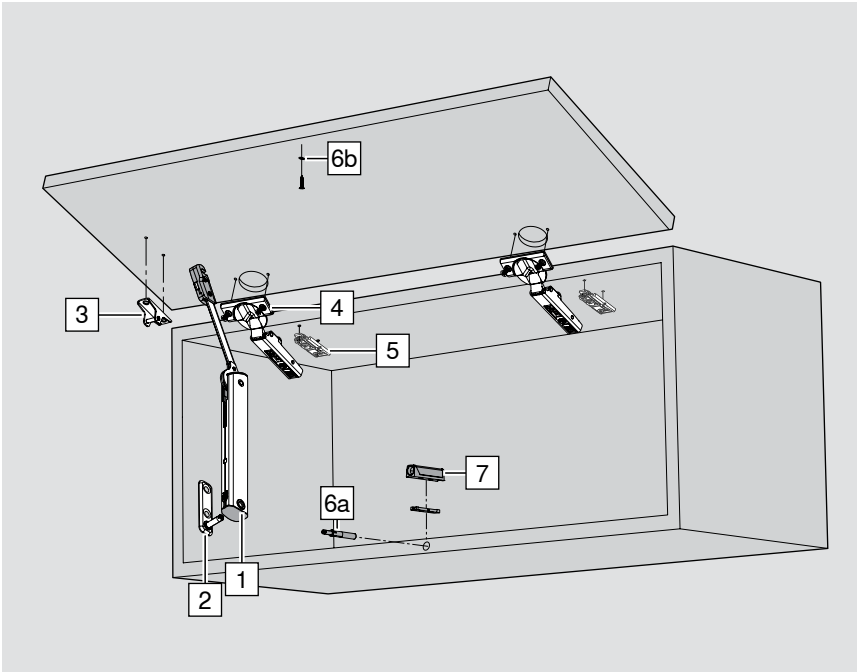
Small stay lift

- Ideal for small, top wall cabinets
- Also suitable for cabinets with low internal depths, e.g. above the extractor
- Small fitting, can be used on one or both sides

AVENTOS HK-XS



Order specification



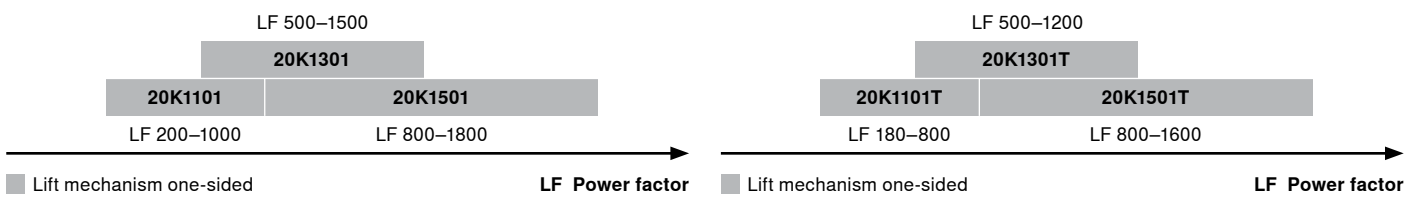
- Well suited for top wall cabinets
- Cabinet height from 240 mm to 600 mm
- Interior depth minimum 125 mm
- Closes silently and effortlessly in conjunction with CLIP top BLUMOTION hinges
- Can be combined with TIP-ON to open handle-less fronts
- Well-balanced quality of motion due to light operating forces, a variable stop and BLUMOTION
- Simple, virtually tool-free assembly and easy adjustment
- Symmetrical lift mechanism – can be used on one or both sides
- High-quality design



Power factor LF = cabinet height KH (mm) x door weight incl. double handle weight (kg)

□ Standard

■ TIP-ON



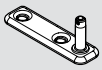
Note: the power factor is doubled when used on both sides.


A trial application is recommended when you are in a borderline area for the individual lift mechanism.


□	1	Symmetrical lift mechanism	
	Power factor		
	200–1000		20K1101
	500–1500		20K1301
	800–1800		20K1501
	105° opening angle*		


■	1	Symmetrical lift mechanism	
	Power factor		
	180–800		20K1101T
	500–1200		20K1301T
	800–1600		20K1501T
	105° opening angle*		

* For hinges with smaller opening angles, these are limited by the hinges.

2 Cabinet fixing	
	Nickel plated steel
	Screws 20K5101
	EXPANDO 20K51E1


7 Horizontal adapter plate	
	Plastic, screws
	NI-L, SW, PG, TS ³⁾
	Short version 956.1201


3 Front fixing bracket	
	Nickel plated steel
	Screws ¹⁾ 20K4101
	EXPANDO 20K41E1
	Narrow aluminium frames 20K4101A


Bit PZ cross slot	
	Size 2, length 39 mm
	BIT-PZ KS2


Accessories CLIP top BLUMOTION 110°/CLIP top 110°


4 Hinge recommendation ²⁾	
	CLIP top BLUMOTION 110°
	Screws With spring 2x* 71B3550
	INSERTA With spring 2x* 71B3590
	CLIP top 110° for TIP-ON
	Screws Unsprung 2x* 70T3550.TL
	INSERTA Unsprung 2x* 70T3590.TL


Hinge arm cover cap	
	Print/Stamp
	Plain 70.1503
	Stamped Blum 70.1503.BP


Hinge boss cover cap	
	CLIP top BLUMOTION 70T3504
	CLIP top 70T3504

5 Mounting plate recommendation	
	Standard mounting plates, distance depends on the top gap
	Fixing Spacing
	Screws 0 mm 2x* 175H3100
	EXPANDO 0 mm 2x* 177H3100E

Hinge boss spacing	
	1.5 mm
	Screw-on
	CLIP top BLUMOTION 70T3507.21

6 TIP-ON set	
	For drilling Ø 10 x 50 mm
	Plastic
	SW, PG, TS ³⁾
	Short version, length 50 mm 956.1004
	Consisting of:
6a	1 x TIP-ON
6b	1 x screw-on catch plate ⁴⁾
	1 x chipboard screw 609.1500

Opening angle stop 86°	
	Plastic
	Black 70T3553

Chipboard screws	
	Ø 3.5 x 15 mm 609.1500
	Ø 3.5 x 17 mm 609.1700

¹⁾ Use 2 chipboard screws (609.1x00) for wooden fronts. Use 2 countersunk self-tapping screws (660.0950) for wide aluminium frames.

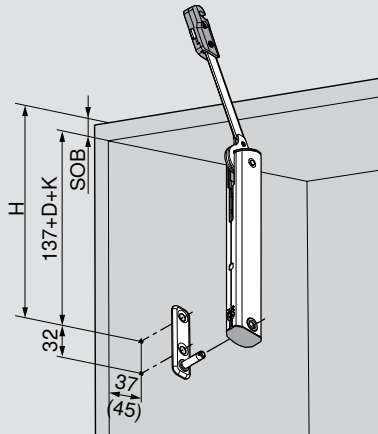
²⁾ Alternatively, use the CLIP top BLUMOTION hinges, 95° profile door hinges, 95° aluminium frame hinges or the CLIP top hinges 107°, 110°, 95° profile door hinges, 95° aluminium frame hinges in combination with clip-on BLUMOTION 973A or unsprung (TIP ON). See Blum catalogue.

³⁾ NI-L nickel finish, SW silk white, PG platinum grey, TS terra black.

⁴⁾ Note: the glue-on catch plate should not be used in combination with TIP-ON for AVENTOS HK-XS.

* Number of hinges, see front assembly

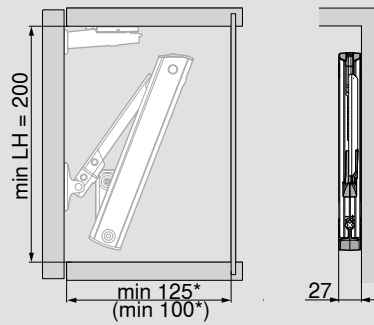
Drilling position



$H = 137 + D + K + SOB$

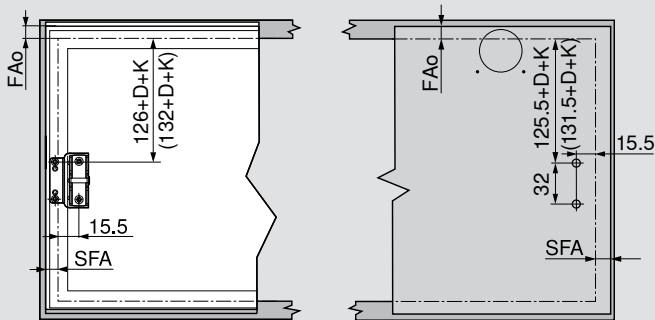
- D Mounting plate spacing
- K Hinge crank
 - Horizontal hinge arm 0 mm
 - Cranked hinge arm 9.5 mm
 - Double cranked hinge arm 18 mm
- SOB Top panel thickness

Space requirement



- LH Internal cabinet height
- * min. 200 mm with visible wall hanging bracket

Front assembly



Narrow aluminium frames

Wooden fronts and wide aluminium frames¹⁾

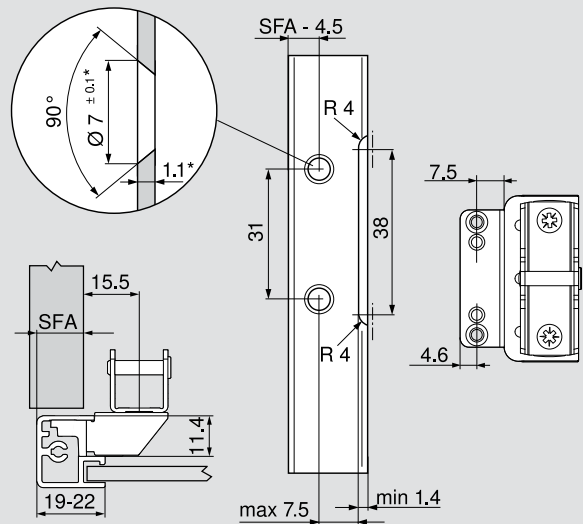
- Ø 3.5 x 15 mm
- FAo Upper front overlay
- SFA Side front overlay

Number of hinges

- 3 hinges starting at cabinet width 900 mm and/or power factor 1800
- 4 hinges starting at cabinet width 1200 mm and/or power factor 2700

¹⁾ Use 2 chipboard screws (609.1x00) for wooden fronts.
Use 2 countersunk self-tapping screws (660.0950) for wide aluminium frames.

Planning for narrow aluminium frames



For frame frieze width 19 mm: SFA of 11–18 mm possible

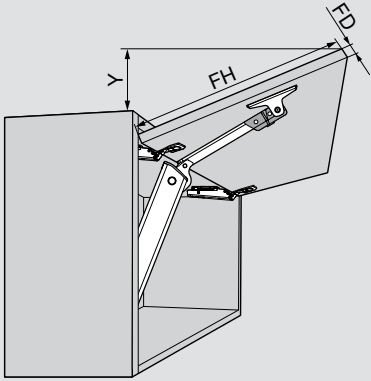
- SFA Side front overlay
- R Radius

* When changing material thickness, adjust the assembly dimensions accordingly.

() Special drilling positions for a minimum internal depth of 100 mm

i To ensure optimal motion, use standard drilling positions for a minimum internal depth of 125 mm

Space requirement



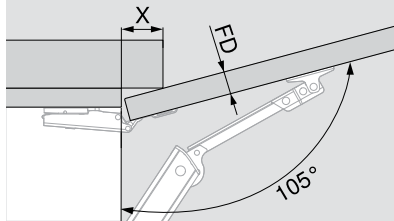
$Y = (FH - a) \times 0.3$

FD (mm)	16	19	22	24
a (mm)	45	34	23	15

FD Front thickness

FH Front height

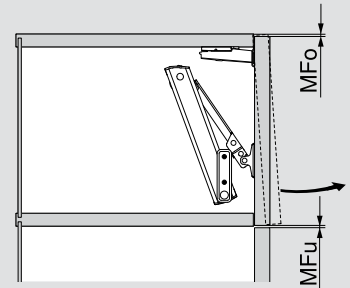
Cornice and crown moulding clearance



FD (mm)	16	19	22	24
X (mm)	45	34	23	15

FD Front thickness

Minimum gap



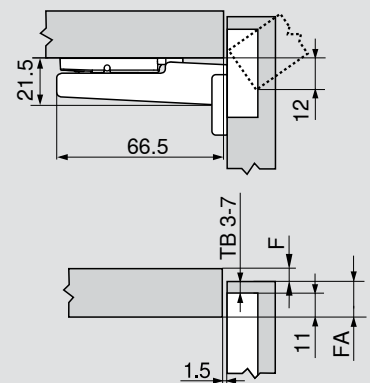
MFu Minimum gap at the bottom (1.5 mm)

MFo Minimum gap at the top depending on hinge used – see Blum catalogue

Minimum gap (F) for fronts with a front radius (R = 1 mm) based on the factory setting for CLIP top BLUMOTION 110°/ CLIP top 110°

		Front thickness FD											A trial application is recommended
		16	18	19	20	21	22	23	24	25	26	28	
 TB	3	0.5	0.8	1.0	1.2	1.5	1.8	2.2	2.7	3.5	4.3		
	4	0.5	0.8	1.0	1.2	1.4	1.7	2.0	2.5	3.1	3.8		
	5	0.5	0.8	0.9	1.2	1.4	1.7	2.0	2.4	2.9	3.4		
	6	0.5	0.8	0.9	1.2	1.3	1.6	1.9	2.3	2.7	3.2		
	7	0.5	0.8	0.9	1.1	1.3	1.6	1.9	2.2	2.6	3.0		
		Additional for + 2 mm side adjustment											
		+0.2	+0.4	+0.4	+0.5	+0.5	+0.5	+0.5	+0.5	+0.5	+0.5		

CLIP top BLUMOTION 110°/ CLIP top 110°



F Gap

FA Front overlay

TB Drilling distance

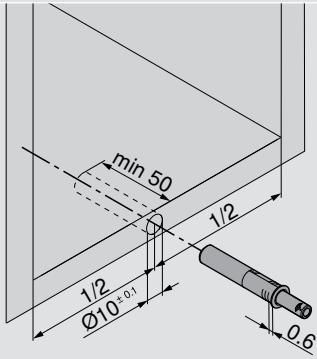
CLIP top BLUMOTION 110°/CLIP top 110°

		Front overlay FA													
		5	6	7	8	9	10	11	12	13	14	15	16	17	18
TB	0										3	4	5	6	7
	3							3	4	5	6	7			
	6				3	4	5	6	7						
	9	3	4	5	6	7									
		Mounting plate													

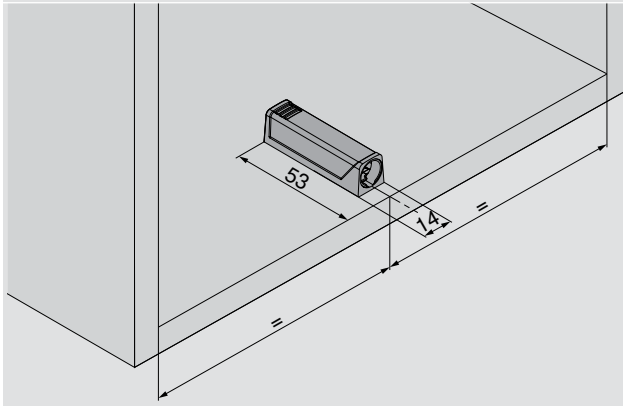
TB Drilling distance

Fixing position

TIP-ON short version

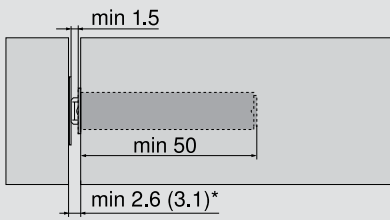


Horizontal adapter plate short



Installation dimensions

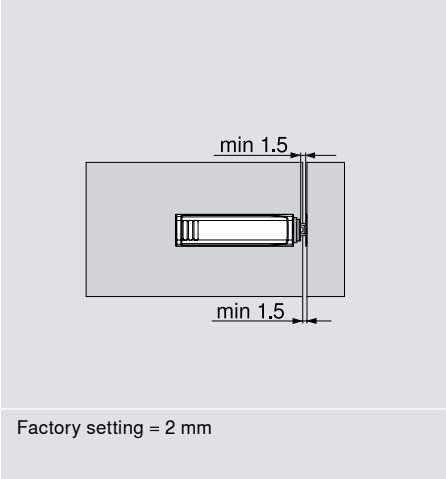
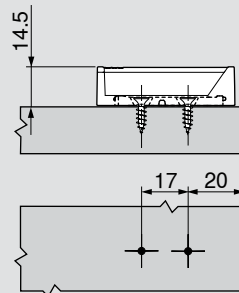
TIP-ON short version



* min. 2.6 mm with glue-on catch plate

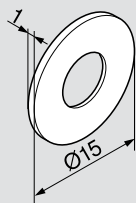
* min. 3.1 mm with screw-on catch plate

Horizontal adapter plate short

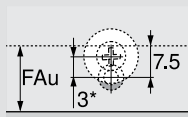


Factory setting = 2 mm

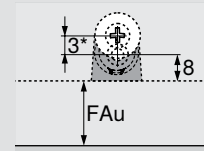
Screw-on catch plate planning



For drilling



Horizontal adapter plate



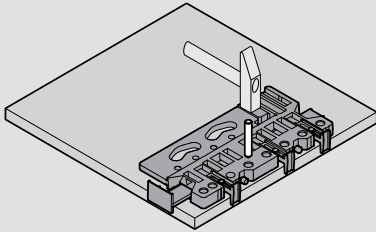
FAu Lower front overlay

* We recommend offsetting the positioning of TIP-ON by 3 mm for the screw-on catch plate.

Note: the glue-on catch plate should not be used in combination with TIP-ON for AVENTOS HK-XS.

Front assembly

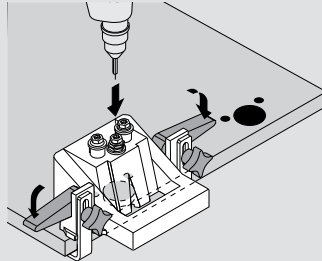
Front fixing bracket



Universal drilling template

ZML.0040

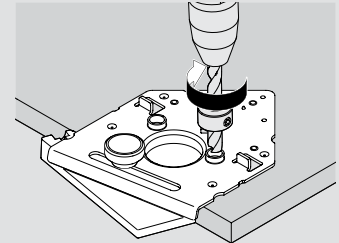
Hinges



ECODRILL

M31.1000

Hinges



Drilling template for hinges

Ø 8 mm / Ø 2.5 mm

65.059A

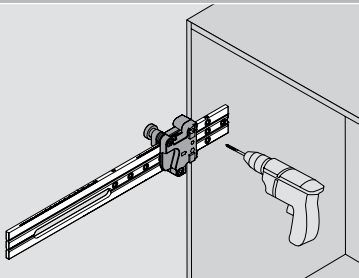
Drilling template for hinges

Ø 2.5 mm

65.055A

Cabinet assembly

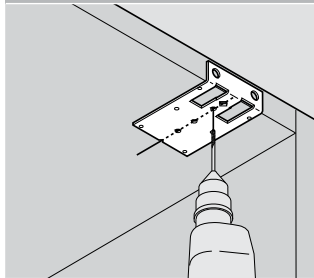
Cabinet assembly



Universal-single template

65.1051.02

Mounting plate

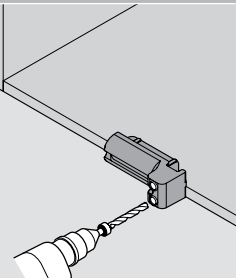


Template

65.5300

Can also be used for cabinet fixing

TIP-ON assembly



TIP-ON drilling template

For drilling

65.5010

Can also be used for TIP-ON for AVENTOS

The company Blum

Founded over 60 years ago by Julius Blum, Blum is a family-owned company that operates on an international scale. Its strategic business segments include lift, hinge and pull-out systems. All our product developments focus on perfecting motion.

www.blum.com

 **blum**[®]





Blum in Austria and around the world

The company has seven plants in Vorarlberg, Austria, additional production sites in Poland, the USA and Brazil and 29 subsidiaries/representative offices. Blum supplies more than 120 markets. The Blum Group employs 7.300 people in total, 5.500 of whom work in Vorarlberg.



Global customer benefits

“Whether manufacturer, distributor, fitter or kitchen user – everybody should personally enjoy the benefits of Blum products” – that is Blum’s philosophy on global customer benefits.



Innovations

To support customers with innovative fittings solutions and secure long-term success for the company, we need to consistently invest in research and development, in plants and facilities and in employee training. With more than 2.600 patents worldwide, Blum is one of Austria’s most innovative companies.



Quality

Blum’s comprehensive concept of quality does not only apply to products. Services and collaboration with customers and partners should also meet the same quality requirements.



Environment

At Blum, we believe that responsible ecological behaviour has long-term economic benefits. The longevity of products is just one of many important aspects. Other important measures include the use of environmentally-friendly processes, the intelligent use of materials and prudent energy management.



DYNAMIC SPACE

Good workflows, optimum use of storage space and top quality motion are important features of a practical kitchen. Blum’s ideas for practical kitchens are designed to bring function, convenience and ergonomics to furniture interiors.



Blue International Co.,Ltd.
8,10,12 Soi Ramkhamhaeng 26/1
Ramkhamhaeng
Rd., Huamark, Bangkok
BANGKOK 10240
THAILAND
Tel: +66 2 374 7755
Fax: +66 2 374 9176
E-Mail: info@blue-inter.com
www.blum.com

Julius Blum GmbH
Furniture Fittings Mfg.
6973 Höchst, Austria
Tel.: +43 5578 705-0
Fax: +43 5578 705-44
E-mail: info@blum.com
www.blum.com

