

Hinge systems



- ▶ CLIP top BLUMOTION | CLIP top – hinges
- ▶▶ Angled application – standard

Hinge systems

+45° I – angled hinge half overlay



- For corner cabinets with set back fronts
- CLIP top BLUMOTION with integrated BLUMOTION (with deactivation option)
- CLIP top without closing mechanism (spring)
- +45° I angled hinge
- 95° opening angle
- 3-dimensional front adjustment
- Convenient spiral-tech depth adjustment
- Tool-free door to cabinet assembly and removal
- With INSERTA tool-free hinge to door assembly

Webcode

DQDR9A

Page instructions

WA	Angle		
	40°	45°	50°
N° 23	N° 24	N° 25	
	123	125	123
N° 108	N° 53	N° 54	
	126	123	123
N° 8	N° 9	N° 10	
	126	125	125
N° 43	N° 44	N° 45	
	126	127	127
N° 109	N° 60	N° 61	
	127	123	123
Overview – angled applications			120
WA	Angled application		

Order information

Boss		INSERTA	
Hinge	Spring	Colour	Part no.
CLIP top BLUMOTION	●	NI ONS	79B9698
●	With spring	NI	Nickel plated
○	Unsprung	ONS	Onyx black

Boss		Screw-on	
Hinge	Spring	Colour	Part no.
CLIP top BLUMOTION	●	NI	79B9658
CLIP top	○	NI	78A9658.T

Accessories			
Hinge arm cover cap			
Print Stamp	Logo	Colour	Part no.
Plain	–	NI ONS	70.1553
Stamped	Blum	NI	70.1553.BP

Hinge boss cover cap		
Hinge	Colour	Part no.
CLIP top BLUMOTION	NI ONS	70T3504
CLIP top	NI	70T1504

TIP-ON for doors		
Version	Spring	Part no.
Short version	○	956.1004
Extended version	○	956A1004
Extended version	●	956A1006

Chipboard screws		
Ø (mm)	Length (mm)	Part no.
3,5	15	609.1500
3,5	17	609.1700

Note

CLIP top BLUMOTION and CLIP top hinges cannot be combined with each other on a door.

Page instructions

Overview – CLIP top BLUMOTION CLIP top – hinges	75	Overview – TIP-ON for doors	185
Mounting plates	156	Overview – assembly devices	561
Accessories – hinge arm cover cap	164	More technical details	662
Accessories – general	166		

Assembly, removal and adjustment

Short-URL

www.blum.com/a210

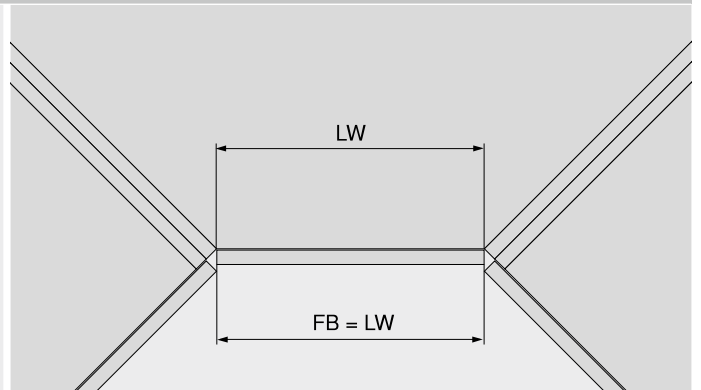
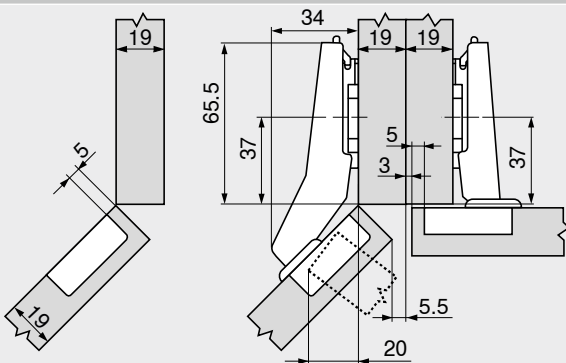


Planning

Note

These dimensions are based on the factory setting. The application changes in cases of deviation. In these cases a trial is recommended. Some applications require the mounting plate to be moved from the standard fixing positions.

Corner cabinet

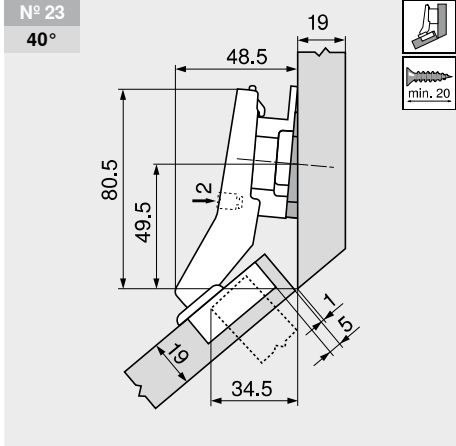


FB Front width
LW Internal cabinet width

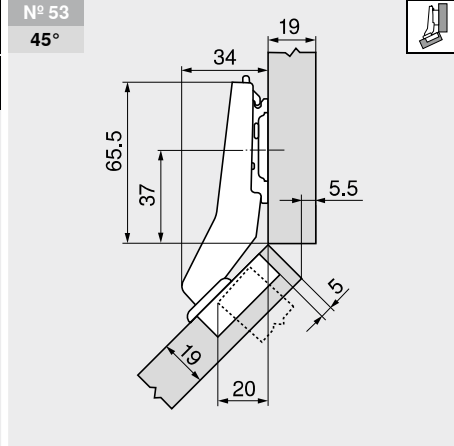
+45° I – angled hinge half overlay

Webcode
 DQDR9A

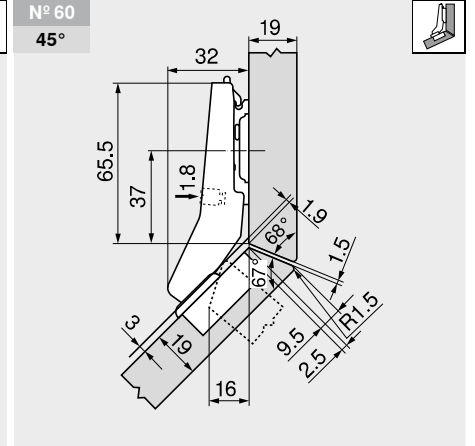
Planning



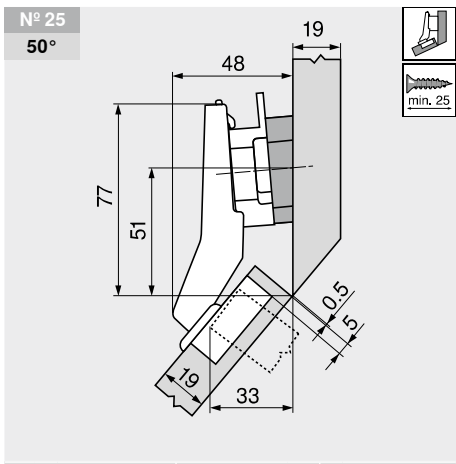
Description	Spacing (mm)	Part no.
Mounting plate	9	175H7190
Angled spacer	-5°	171A5500



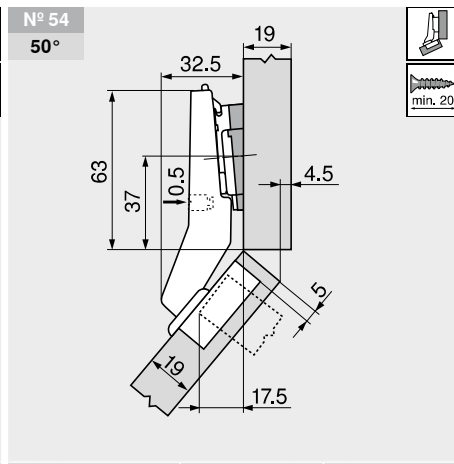
Description	Spacing (mm)	Part no.
Mounting plate	0	173H7100



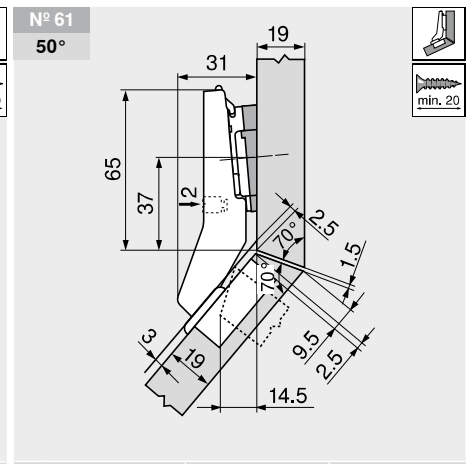
Description	Spacing (mm)	Part no.
Mounting plate	0	173H7100



Description	Spacing (mm)	Part no.
Mounting plate	9	175H7190
Angled spacer	+5° 3 x	171A5070

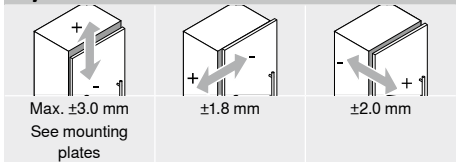


Description	Spacing (mm)	Part no.
Mounting plate	0	173H7100
Angled spacer	+5°	171A5010

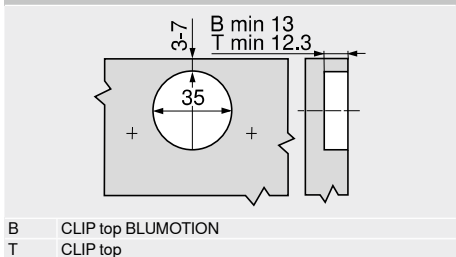


Description	Spacing (mm)	Part no.
Mounting plate	0	173H7100
Angled spacer	+5°	171A5010

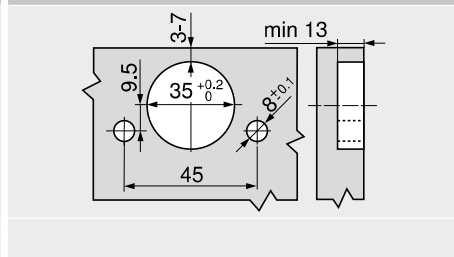
Adjustment



Screw-on



INSERTA



Hinge boss dimensions

