

LAMP® ALT-2V-10 POCKET DOOR HARDWARE (OVERLAY) Installation Manual

Thank you for selecting our product. Before starting installation, please read this manual thoroughly to ensure correct installation. Please keep this manual at hand for future reference.

ABOUT THE PRODUCT

- This product is a parts set for installation of a pocket door for cabinets.
- The door is stored inside the cabinet.

FOR YOUR SAFE WORK AND CORRECT INSTALLATION

Meaning of symbols



Caution If not followed, injury or damage may result.

- ❗ Provide a cabinet that can withstand the weight and impact of opening and closing the door. Be sure to use the specified screws and tighten them securely. If the mounting strength is insufficient, the door may fall and cause injury.
- ❗ Follow the specified dimensions, specifications, and alignment of the cabinet. Warping, tilting or twisting of the cabinet or door may cause failure.
- ❗ Position the handle so that the hand holding the handle does not strike the side board.
- ❗ Make middle board removable for maintenance.
- ❗ When moving the cabinet, remove the door and re-assemble it at the site.
- ❗ This product is a part for furniture. After installation, please check the function and safety of the final product. Please inform the end user how to use the product safely.
- ❗ Make sure to check the screws for slack at regular intervals (one month from first usage, half year and then one time every year is recommended).

About door operation . . . Inform cabinet users of the following precautions.

- ⊘ Do not try to open the door more than 90°.
- ❗ Do not try to close the door before pulling out fully. It will damage the hinges.
- ❗ To prevent injuries, ensure that there is enough space around the handle.

COMPONENT PARTS

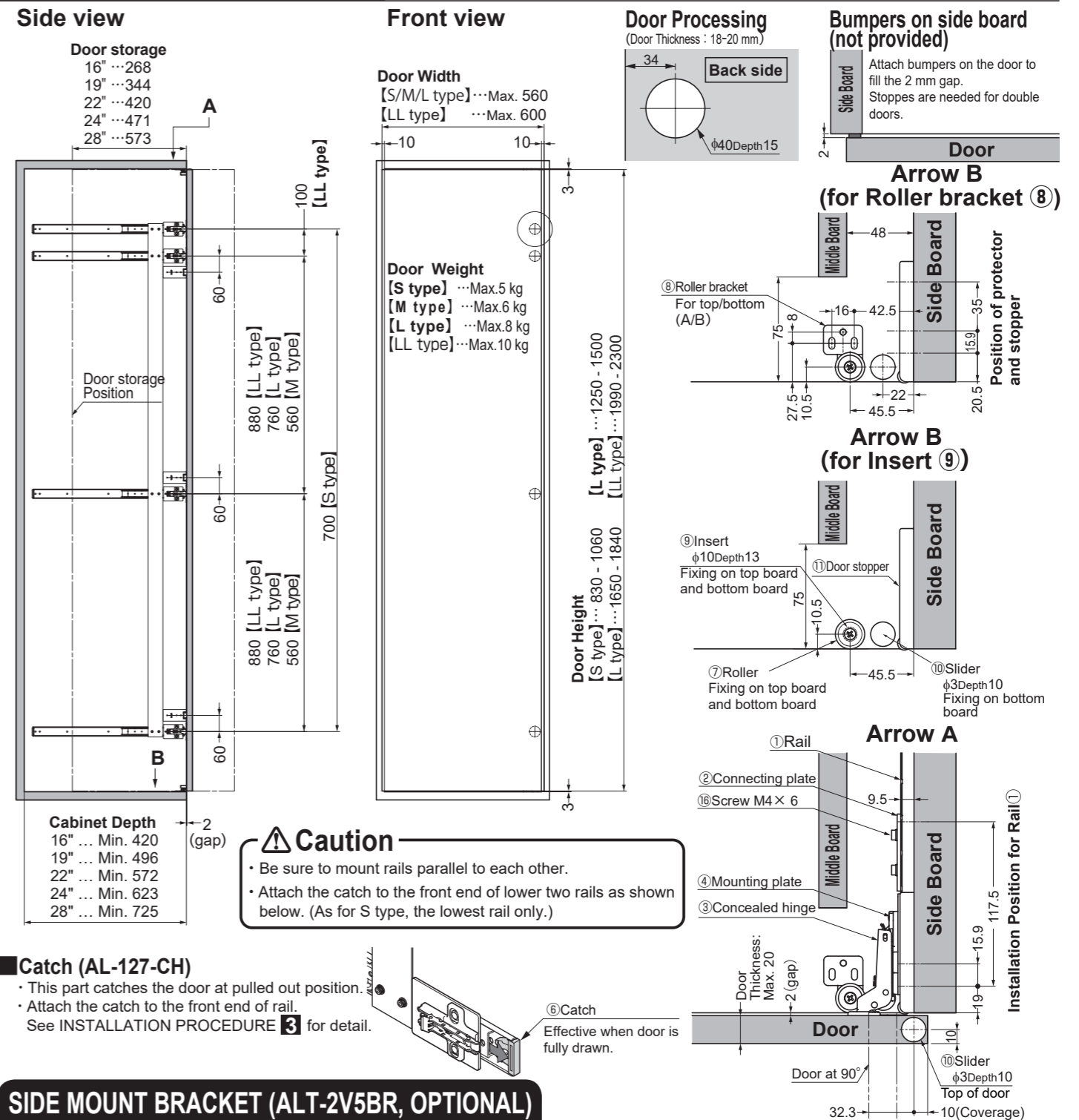
Item Name (Excluding last 2-digits)	Parts set										
	1	2	3	4	5	6	7	8	9	10	11
ALT - 2V - 10S [S type] Max Door Weight : 5 kg, Max Door Width : 560 mm, Door Height : 830 - 1060 mm, Max Door Thickness : 18-20 mm	2	ALT55-S : 1	2	2	2	1	2	A:1 B:1	2	2	2
ALT - 2V - 10M [M type] Max Door Weight : 6 kg, Max Door Width : 560 mm, Door Height : 1250 - 1500 mm, Max Door Thickness : 18-20 mm	3	ALT55-M : 1	3	3	3	2	2	A:1 B:1	2	2	3
ALT - 2V - 10L [L type] Max Door Weight : 8 kg, Max Door Width : 560 mm, Door Height : 1650 - 1840 mm, Max Door Thickness : 18-20 mm	3	ALT55-L : 1	3	3	3	2	2	A:1 B:1	2	2	3
ALT - 2V - 10LL [LL type] Max Door Weight : 10 kg, Max Door Width : 600 mm, Door Height : 1990 - 2300 mm, Max Door Thickness : 18-20 mm	4	ALT55-LL : 1	4	4	3	2	2	A:1 B:1	2	2	3

Item Name (Excluding last 2-digits)	SCREWS AND TOOL SUPPLIED						
	12 Cross recessed blind head tapping screw 3.5×15	13 Cross recessed blind head tapping screw 4×16	14 Cross recessed raised countersunk head tapping screw 3.5×15	15 Low countersunk head screw M4×8	16 Hexagon socket head flange screw M4×6	17 Hexagon socket screw keys	
ALT - 2V - 10S	20	6	4	2	6	1	
ALT - 2V - 10M/L	30	6	6	3	9	1	
ALT - 2V - 10LL	37	6	8	4	12	1	



INSTALLATION DRAWING

Door: 10 mm overlay to side, Inset to top and bottom.



Caution
Warn the users as the bracket protrudes.

Side mount bracket(ALT-2V5BR) (optional parts)



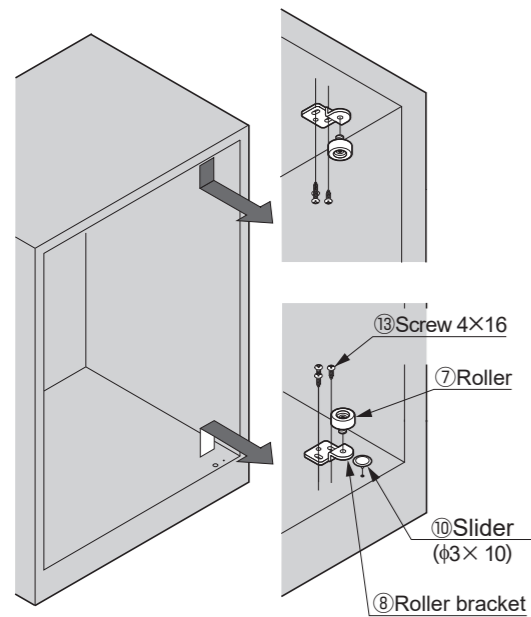
INSTALLATION PROCEDURE

1 Fixing Roller and Slider

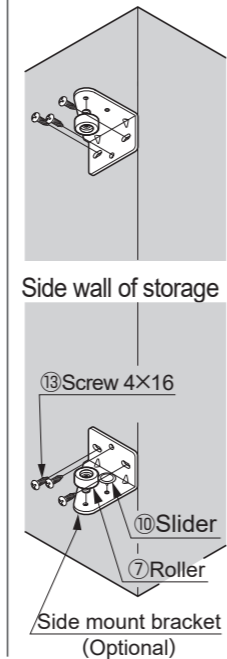
Fixing on top board and bottom board

Use Roller bracket ⑧

Use Insert ⑨



Fixing on side board

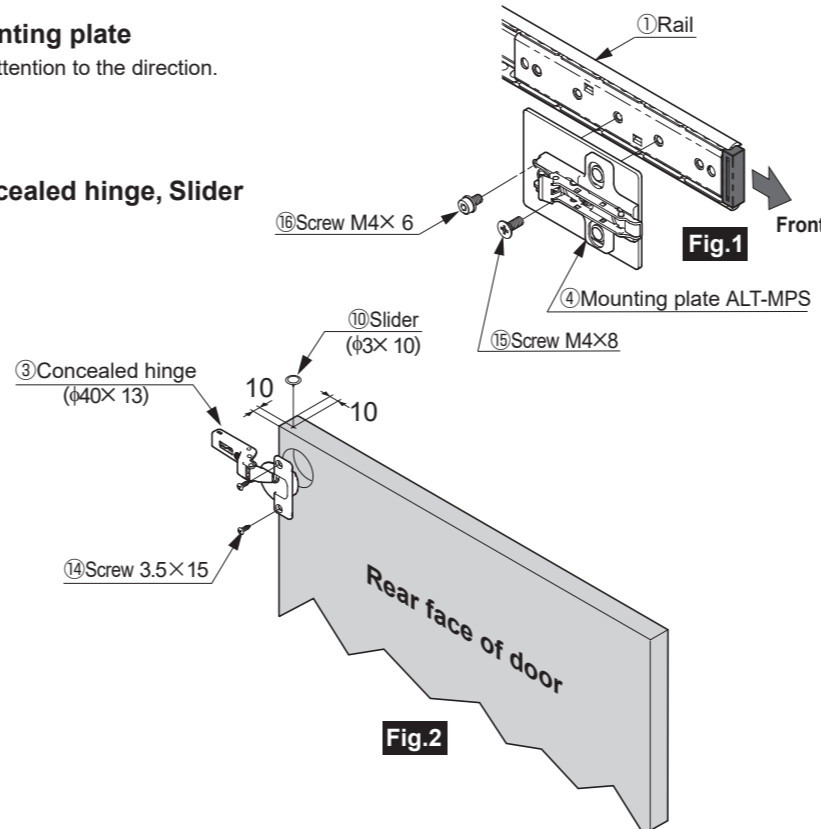


2 Fixing Mounting plate, Concealed hinge, Slider

Mounting plate

Pay attention to the direction.

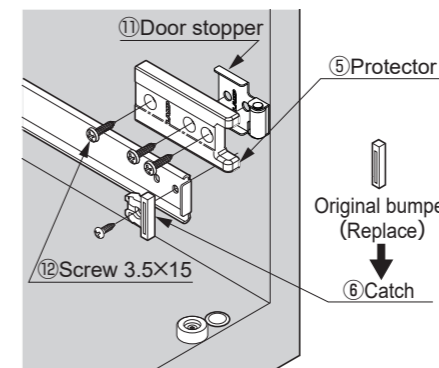
Concealed hinge, Slider



3 Mounting Rail temporarily, Fixing Door stopper, protector

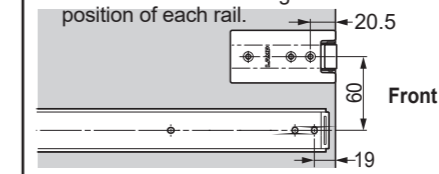
protector ⑤, Door stopper ⑪

Remove the original bumpers from the lower two rails (one for S type), and replace them with the catches. If the number of rails is two, replace it for the lower rail only.



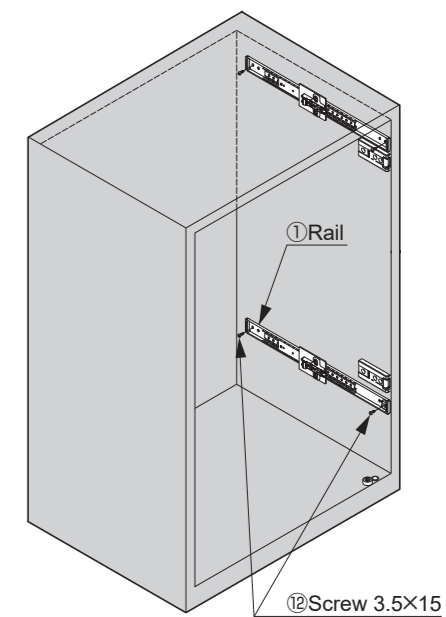
Position of Rail

See "Installation drawing" for the position of each rail.



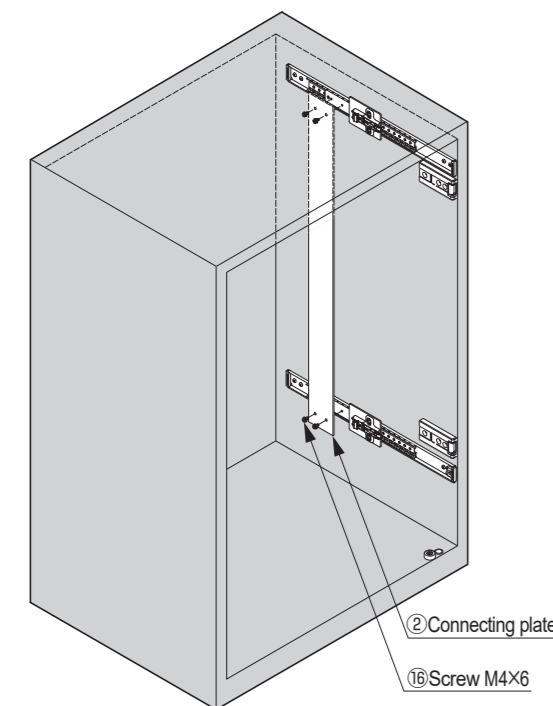
Rail

Mount the rails in the specified position temporarily with two screws only. (Bind tapping screw 3.5 x 1.5) The rails will be fixed later.



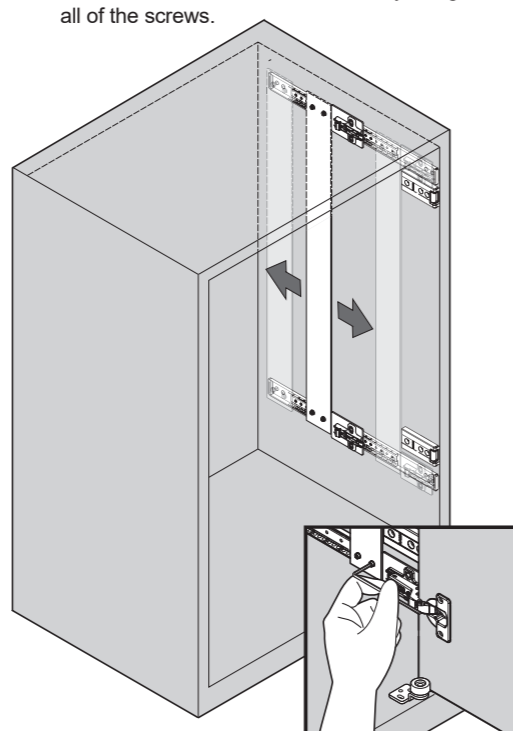
4 Fixing Connection plate

Mount the connecting plate onto the rails temporarily.



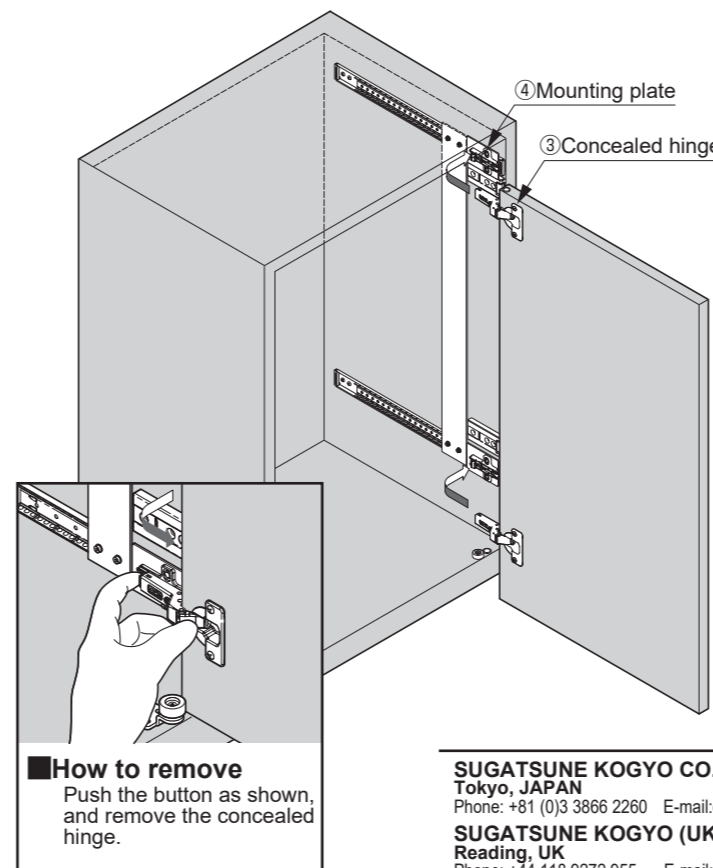
5 Alignment of Rails

- Hold the connecting plate and move it from the front end to the rear end, and align the rails so that the connecting plate moves smoothly.
- Tighten the screws of the connecting plate, and check the movement again.
- Tighten the screws on the rails, and check the movement.
- If the movement is OK, fix the rails by fixing all of the screws.



6 Hanging door

- Hold the door and mount concealed hinges on the mounting plates as shown.
- Ensure that all of the screws are tightened firmly.



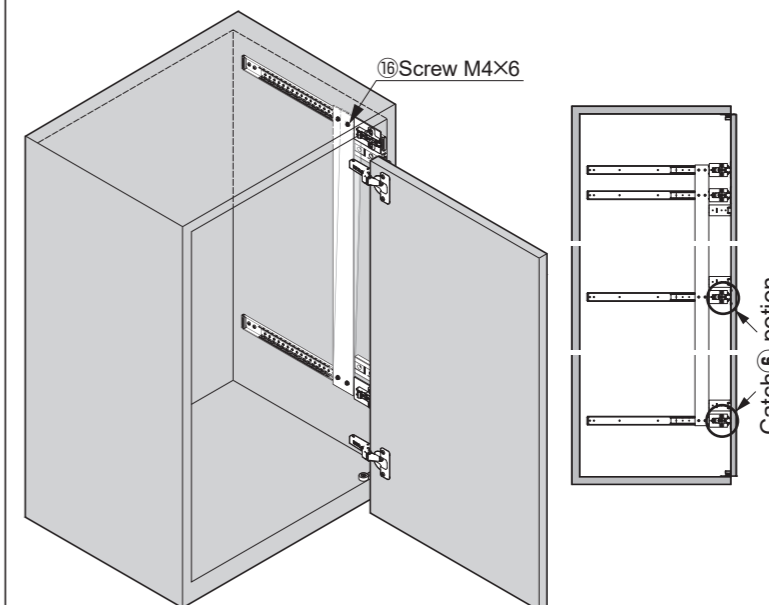
How to remove

Push the button as shown, and remove the concealed hinge.

7 Adjusting door

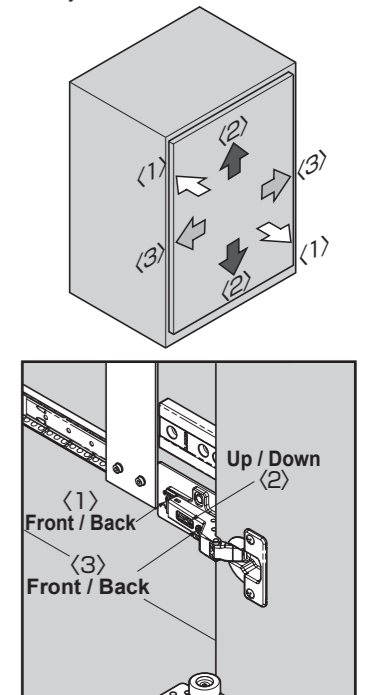
How to adjust inclined door like the illustration below.

- Remove the door.
- Loosen hexagon socket head screw ⑯
- Pushing the top of connecting plate ② to the rear, re-tighten the hexagon socket head screw ⑯.



8 Adjusting door position

Door front and rear, Vertical, Horizontal adjustment
If the door is tilted, adjust with the adjustment screws shown below.



Caution

- Do not use motor screwdrivers.
- Be careful not to overtighten the screws.