

# HV SERIES

Single row connector



## HV single row inserts



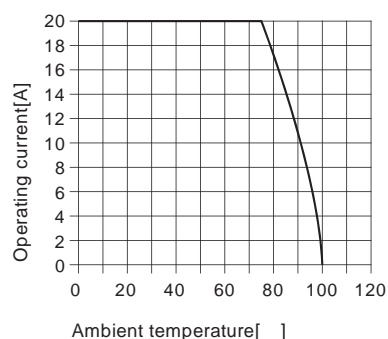
### Technical characteristics

Specifications	DIN EN 60 664 DIN EN 61 984
<b>Inserts</b>	
Number of contacts	8 +PE
Rated current	20A
Rated voltage	400V
Rated impulse voltage	6KV
Pollution degree	3
Insulation resistance	$10^{10}$
Flammability acc. to UL 94	V0
Mechanical working life(mating cycles)	500V
Material	PA
Limiting temperatures	-40 ...+100
<b>Contacts</b>	
Material	copper alloy
Surface	tin plating
Contact resistance	1m
<b>Terminal</b>	
- Screw terminal	
- Wire gauge	0.2—4.0mm <sup>2</sup>
- Tightening torque	0.5~0.6Nm
- Stripping length	7.0mm
<b>Hoods/Housings</b>	
Material	Zine - alloy
Surface	nickel plating
Locking element	Screw locking
Sealing element	NBR
Flammability acc. to UL 94	V0
Limiting temperatures	-40 ~+125
Degree of protection	IP67

### Current carrying capacity

The current carrying is limited by maximum temperature of materials for inserts and contacts including terminals

Control and test procedures according to DIN EN 60512 - 5



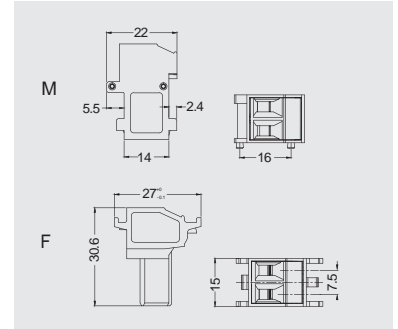
## HV single row inserts

400V 20A 8+

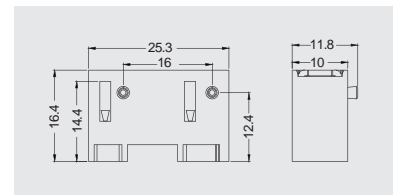
### Inserts



Insert	Designation	Order No.
Male	HV - S02 - M	13V00210100
Female	HV - S02 - F	13V00210200



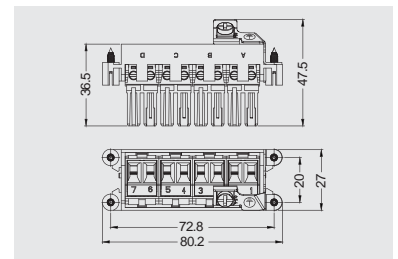
Description	Designation	Order No.
Panel ground	HV - A - PEA	03V00101000



External member 1  
with female inserts and frame



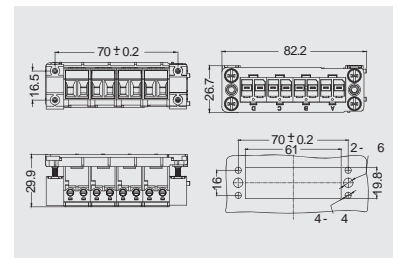
Description	Designation	Order No.
hoods/housings frame external member	HV - HF3/4M - PEA - S2222	A3V03C10240



External member 2  
with male inserts and frame



Description	Designation	Order No.
Panel frame external member	HV - AF3/4M - PEA - S2222	A3V03C20240



Plug piece

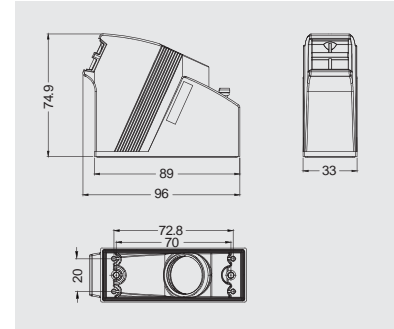


Description	Designation	Order No.
Preventing interpolation	CODE - V	08131109500

Hoods/Housings, nickel plating



Thread	Designation	Order No.
M25	EMC.HV - PM - H3/C - M25	03V03151310



Frame



Description	Designation	Order No.
with 4 module hoods/housings frame	HV - HF3/4M - PEA	03V03C04100

