

Crimp contacts



Crimp contacts

Crimp contacts 5A (for HM,EMC-008,D-SUB,HR23 inserts)

Contact resistance 3m

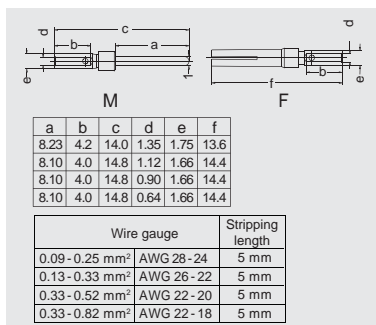
silver plated



gold plated



Male	Designation	Female	Designation
CSSM - 0.25	08121171100	CSSF - 0.25	08121172100
CSSM - 0.33	08121173100	CSSF - 0.33	08121174100
CSSM - 0.52	08121175010	CSSF - 0.52	08121176010
CSSM - 0.82	08121177100	CSSF - 0.82	08121178100
CSGM - 0.25	08121171000	CSGF - 0.25	08121172000
CSGM - 0.33	08121173000	CSGF - 0.33	08121174000
CSGM - 0.52	08121175000	CSGF - 0.52	08121176000
CSGM - 0.82	08121177000	CSGF - 0.82	08121178000



Crimp contacts 10A (for HD,HDD,HM,HK,HQ inserts)

Contact resistance 3m

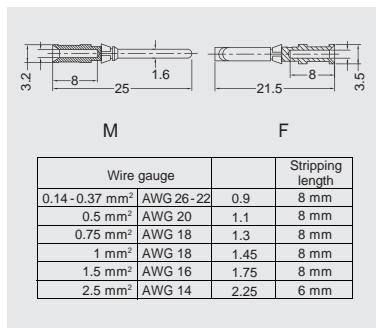
silver plated



gold plated



Male	Designation	Female	Designation
CDSM - 0.37	08121101000	CDSF - 0.37	08121102000
CDSM - 0.5	08121103000	CDSF - 0.5	08121104000
CDSM - 0.75	08121105000	CDSF - 0.75	08121106000
CDSM - 1.0	08121107000	CDSF - 1.0	08121108000
CDSM - 1.5	08121109000	CDSF - 1.5	08121110000
CDSM - 2.5	08121111000	CDSF - 2.5	08121112000
CDGM - 0.37	08121101010	CDGF - 0.37	08121102010
CDGM - 0.5	08121103010	CDGF - 0.5	08121104010
CDGM - 0.75	08121105010	CDGF - 0.75	08121106010
CDGM - 1.0	08121107010	CDGF - 1.0	08121108010
CDGM - 1.5	08121109010	CDGF - 1.5	08121110010
CDGM - 2.5	08121111010	CDGF - 2.5	08121112010



Crimp contacts 10A, take two claws support (for HD,HDD,HM,HK,HQ inserts)

Contact resistance 3m

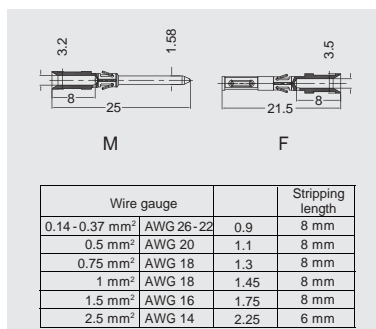
silver plated



gold plated



Male	Designation	Female	Designation
CDSM - 0.37B	08121101030	CDSF - 0.37B	08121102030
CDSM - 0.5B	08121103030	CDSF - 0.5B	08121104030
CDSM - 0.75B	08121105030	CDSF - 0.75B	08121106030
CDSM - 1.0B	08121107030	CDSF - 1.0B	08121108030
CDSM - 1.5B	08121109030	CDSF - 1.5B	08121110030
CDSM - 2.5B	08121111030	CDSF - 2.5B	08121112030
CDGM - 0.37B	08121101040	CDGF - 0.37B	08121102040
CDGM - 0.5B	08121103040	CDGF - 0.5B	08121104040
CDGM - 0.75B	08121105040	CDGF - 0.75B	08121106040
CDGM - 1.0B	08121107040	CDGF - 1.0B	08121108040
CDGM - 1.5B	08121109040	CDGF - 1.5B	08121110040
CDGM - 2.5B	08121111040	CDGF - 2.5B	08121112040



Crimp contacts 10A, take three claws support (for HD,HDD,HM,HK,HQ inserts)

Contact resistance 3m

silver plated

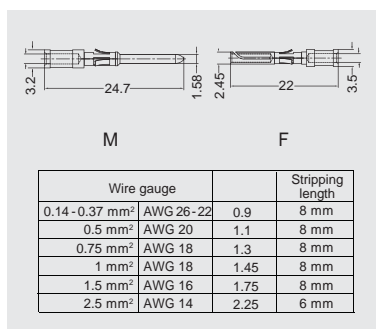


gold plated



Can not be compatible use with above two 10A Crimp contacts.

Male	Designation	Female	Designation
ZCDSM - 0.37	08121101006	ZCDSF - 0.37	08121102006
ZCDSM - 0.5	08121103006	ZCDSF - 0.5	08121104006
ZCDSM - 0.75	08121105006	ZCDSF - 0.75	08121106006
ZCDSM - 1.0	08121107006	ZCDSF - 1.0	08121108006
ZCDSM - 1.5	08121109006	ZCDSF - 1.5	08121110006
ZCDSM - 2.5	08121111006	ZCDSF - 2.5	08121112006
ZCDGM - 0.37	08121101016	ZCDGF - 0.37	08121102016
ZCDGM - 0.5	08121103016	ZCDGF - 0.5	08121104016
ZCDGM - 0.75	08121105016	ZCDGF - 0.75	08121106016
ZCDGM - 1.0	08121107016	ZCDGF - 1.0	08121108016
ZCDGM - 1.5	08121109016	ZCDGF - 1.5	08121110016
ZCDGM - 2.5	08121111016	ZCDGF - 2.5	08121112016



Thermocouple crimp contacts 10A (IEC 584 type J)

Contact resistance 3m

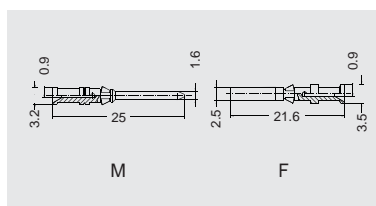
constantan



iron;gold plated



Male	Designation	Female	Designation
CDNM - 0.37CuNi	08121101600	CDFN - 0.37CuNi	08121102600
CDGM - 0.37Fe	08121101510	CDGF - 0.37Fe	08121102510



Crimp contacts.

Crimp contacts 16A (for HAC,HEC,HEE,HM,HK inserts)

Contact resistance $\leq 1\text{m}\Omega$

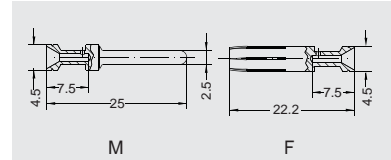
silver plated



gold plated



Male	Order No.	Female	Order No.
CESM - 0.37	08121131000	CESF - 0.37	08121132000
CESM - 0.5	08121133000	CESF - 0.5	08121134000
CESM - 0.75	08121135000	CESF - 0.75	08121136000
CESM - 1.0	08121137000	CESF - 1.0	08121138000
CESM - 1.5	08121139000	CESF - 1.5	08121140000
CESM - 2.5	08121141000	CESF - 2.5	08121142000
CESM - 3.0	08121143000	CESF - 3.0	08121144000
CESM - 4.0	08121145000	CESF - 4.0	08121146000
CEGM - 0.37	08121131010	CEGF - 0.37	08121132010
CEGM - 0.5	08121133010	CEGF - 0.5	08121134010
CEGM - 0.75	08121135010	CEGF - 0.75	08121136010
CEGM - 1.0	08121137010	CEGF - 1.0	08121138010
CEGM - 1.5	08121139010	CEGF - 1.5	08121140010
CEGM - 2.5	08121141010	CEGF - 2.5	08121142010
CEGM - 3.0	08121143010	CEGF - 3.0	08121144010
CEGM - 4.0	08121145010	CEGF - 4.0	08121146010



Identification	Wire gauge	Stripping length	
no groove	0.14 - 0.37 mm ²	AWG 26 - 22	7.5mm
no groove	0.5 mm ²	AWG 20	7.5mm
1 groove	0.75 mm ²	AWG 18	7.5mm
1 groove	1 mm ²	AWG 18	7.5mm
2 groove	1.5 mm ²	AWG 16	7.5mm
3 groove	2.5 mm ²	AWG 14	7.5mm
wide groove	3 mm ²	AWG 12	7.5mm
no groove	4 mm ²	AWG 12	7.5mm

Crimp contacts 16A (with crown contact)(for HAC,HEC,HEE,HM,HK inserts)

Contact resistance $\leq 1\text{m}\Omega$

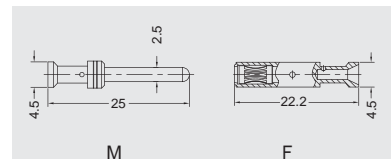
silver plated



gold plated



Male	Order No.	Female	Order No.
CESM - 0.37	08121131000	CESF - 0.37G	08121132200
CESM - 0.5	08121133000	CESF - 0.5G	08121134200
CESM - 0.75	08121135000	CESF - 0.75G	08121136200
CESM - 1.0	08121137000	CESF - 1.0G	08121138200
CESM - 1.5	08121139000	CESF - 1.5G	08121140200
CESM - 2.5	08121141000	CESF - 2.5G	08121142200
CESM - 3.0	08121143000	CESF - 3.0G	08121144200
CESM - 4.0	08121145000	CESF - 4.0G	08121146200
CEGM - 0.37	08121131010	CEGF - 0.37G	08121132210
CEGM - 0.5	08121133010	CEGF - 0.5G	08121134210
CEGM - 0.75	08121135010	CEGF - 0.75G	08121136210
CEGM - 1.0	08121137010	CEGF - 1.0G	08121138210
CEGM - 1.5	08121139010	CEGF - 1.5G	08121140210
CEGM - 2.5	08121141010	CEGF - 2.5G	08121142210
CEGM - 3.0	08121143010	CEGF - 3.0G	08121144210
CEGM - 4.0	08121145010	CEGF - 4.0G	08121146210



Identification	Wire gauge	Stripping length	
no groove	0.14 - 0.37 mm ²	AWG 26 - 22	7.5mm
no groove	0.5 mm ²	AWG 20	7.5mm
1 groove	0.75 mm ²	AWG 18	7.5mm
1 groove	1 mm ²	AWG 18	7.5mm
2 groove	1.5 mm ²	AWG 16	7.5mm
3 groove	2.5 mm ²	AWG 14	7.5mm
wide groove	3 mm ²	AWG 12	7.5mm
no groove	4 mm ²	AWG 12	7.5mm

Crimp contacts 16A (with crown contact, take three claws support) (for HE-006-MC/N/FC/N, HE-046-MC/N/FC/N inserts)

Contact resistance $\leq 1\text{m}\Omega$

silver plated



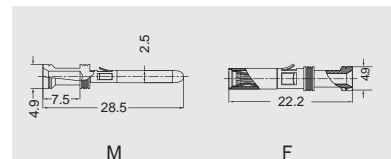
gold plated



Can not be compatible use with above two 10A Crimp contacts.

Male contact removal tool: TL00
Female contact removal tool: TL09

Male	Order No.	Female	Order No.
CESM - 0.37/N	08121131008	CESF - 0.37G/N	08121132008
CESM - 0.5/N	08121133008	CESF - 0.5G/N	08121134008
CESM - 0.75/N	08121135008	CESF - 0.75G/N	08121136008
CESM - 1.0/N	08121137008	CESF - 1.0G/N	08121138008
CESM - 1.5/N	08121139008	CESF - 1.5G/N	08121140008
CESM - 2.5/N	08121141008	CESF - 2.5G/N	08121142008
CESM - 3.0/N	08121143008	CESF - 3.0G/N	08121144008
CESM - 4.0/N	08121145008	CESF - 4.0G/N	08121146008
CEGM - 0.37/N	08121131018	CEGF - 0.37G/N	08121132018
CEGM - 0.5/N	08121133018	CEGF - 0.5G/N	08121134018
CEGM - 0.75/N	08121135018	CEGF - 0.75G/N	08121136018
CEGM - 1.0/N	08121137018	CEGF - 1.0G/N	08121138018
CEGM - 1.5/N	08121139018	CEGF - 1.5G/N	08121140018
CEGM - 2.5/N	08121141018	CEGF - 2.5G/N	08121142018
CEGM - 3.0/N	08121143018	CEGF - 3.0G/N	08121144018
CEGM - 4.0/N	08121145018	CEGF - 4.0G/N	08121146018



Identification	Wire gauge	Stripping length	
no groove	0.14 - 0.37 mm ²	AWG 26 - 22	7.5mm
no groove	0.5 mm ²	AWG 20	7.5mm
1 groove	0.75 mm ²	AWG 18	7.5mm
1 groove	1 mm ²	AWG 18	7.5mm
2 groove	1.5 mm ²	AWG 16	7.5mm
3 groove	2.5 mm ²	AWG 14	7.5mm
wide groove	3 mm ²	AWG 12	7.5mm
no groove	4 mm ²	AWG 12	7.5mm

Thermocouple crimp contacts 16A (IEC 584 type J)

Contact resistance 1m

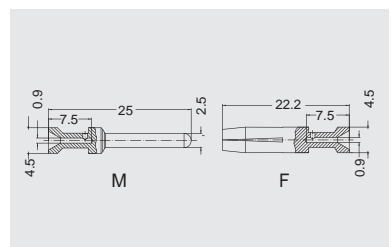
constantan



iron;gold plated



Male	Order No.	Female	Order No.
CENM - 0.37CuNi	08121131600	CENF - 0.37CuNi	08121132600
CENM - 0.50CuNi	08121133600	CENF - 0.50CuNi	08121134600
CEGM - 0.37Fe	08121131510	CEGF - 0.37Fe	08121132510
CEGM - 0.50Fe	08121133510	CEGF - 0.50Fe	08121134510



Crimp contacts.

Crimp contacts 40A (for HM,HK inserts)

Contact resistances $\leq 0.3m\Omega$

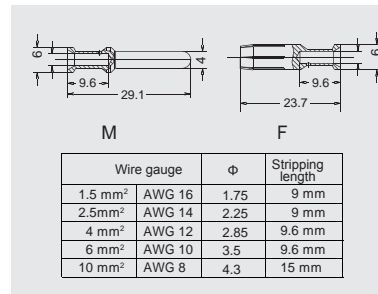
silver plated



gold plated



Male	Order No.	Female	Order No.
CCSM - 1.5	08121151000	CCSF - 1.5	08121161000
CCSM - 2.5	08121152000	CCSF - 2.5	08121162000
CCSM - 4.0	08121153000	CCSF - 4.0	08121163000
CCSM - 6.0	08121154000	CCSF - 6.0	08121164000
CCSM - 10.0	08121155000	CCSF - 10.0	08121165000
CCGM - 1.5	08121151010	CCGF - 1.5	08121161010
CCGM - 2.5	08121152010	CCGF - 2.5	08121162010
CCGM - 4.0	08121153010	CCGF - 4.0	08121163010
CCGM - 6.0	08121154010	CCGF - 6.0	08121164010
CCGM - 10.0	08121155010	CCGF - 10.0	08121165010



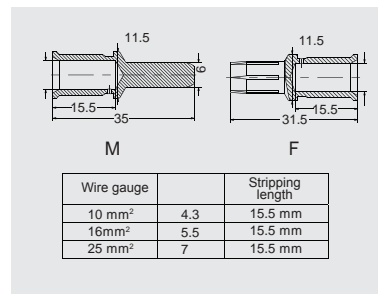
Crimp contacts 70A (for HM inserts)

Contact resistances $\leq 0.5m\Omega$

silver plate



Male	Order No.	Female	Order No.
CKSM70 - 10	08121069100	CKSF70 - 10	08121070100
CKSM70 - 16	08121071100	CKSF70 - 16	08121072100
CKSM70 - 25	08121073100	CKSF70 - 25	08121074100



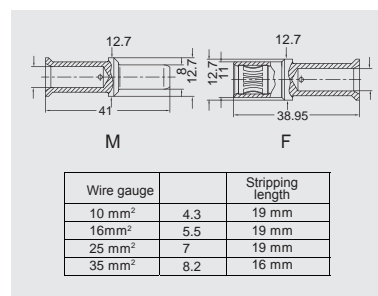
Crimp contacts 100A (with crown contact) (for HM,HK inserts)

Contact resistances $\leq 0.3m\Omega$

silver plate



Male	Order No.	Female	Order No.
CKSM - 10	08121069000	CKSF - 10G	08121070200
CKSM - 16	08121071000	CKSF - 16G	08121072200
CKSM - 25	08121073000	CKSF - 25G	08121074200
CKSM - 35	08121075000	CKSF - 35G	08121076200
		Slot structure	
		CKSF - 10	08121070000
		CKSF - 16	08121072000
		CKSF - 25	08121074000
		CKSF - 35	08121076000



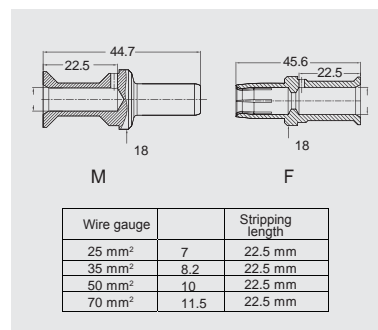
Crimp contacts 200A (for HM inserts)

Contact resistances $\leq 0.3m\Omega$

silver plate



Male	Order No.	Female	Order No.
CHSM200 - 25	8121401100	CHSF200 - 25	08121402200
CHSM200 - 35	8121403100	CHSF200 - 35	08121404200
CHSM200 - 50	8121405100	CHSF200 - 50	08121406200
CHSM200 - 70	8121407100	CHSF200 - 70	08121408200

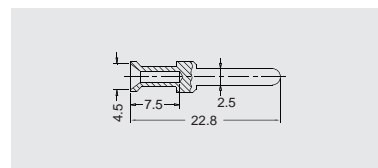


Relay contact

silver plate



Wire gauge(mm ²)	Designation	Order No.
1	CESM - 1.0R	08121137300
1.5	CESM - 1.5R	08121139300
2.5	CESM - 2.5R	08121141300



Crimp contacts.

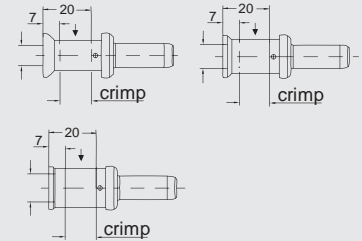
Crimp contacts 250A (with crown contact)(for HC250 inserts)

Contact resistance $\leq 0.3\text{m}\Omega$

silver plated



NO.	Male	Order No.	Female	Order No.
	CHSM250 - 35	08121421000	CHSF250 - 35G	08121422000
	CHSM250 - 50	08121423000	CHSF250 - 50G	08121424000
	CHSM250 - 70	08121425000	CHSF250 - 70G	08121426000

For stranded wire acc. to IEC 60 228 - 5
Crimp zone acc. to DIN 46 235

NO.	Wire gauge		Stripping length
	35 mm ²	8.45 mm	22 mm
	50 mm ²	10.25mm	22 mm
	70 mm ²	11.75 mm	22 mm

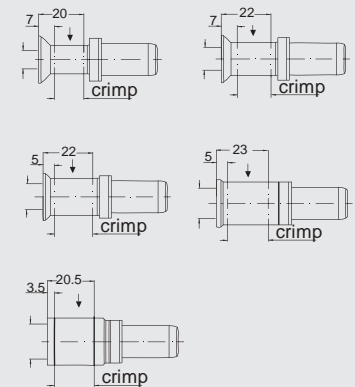
Crimp contacts 350A (with crown contact)(for HC350 inserts)

Contact resistance $\leq 0.3\text{m}\Omega$

silver plated



NO.	Male	Order No.	Female	Order No.
	CHSM350 - 35	08121501000	CHSF350 - 35G	08121502000
	CHSM350 - 50	08121503000	CHSF350 - 50G	08121504000
	CHSM350 - 70	08121505000	CHSF350 - 70G	08121506000
	CHSM350 - 95	08121507000	CHSF350 - 95G	08121508000
	CHSM350 - 120	08121509000	CHSF350 - 120G	08121510000

For stranded wire acc. to IEC 60 228 - 5
Crimp zone acc. to DIN 46 235

NO.	Wire gauge		Stripping length
	35 mm ²	8.45mm	26 mm
	50 mm ²	10.0mm	28 mm
	70 mm ²	11.5 mm	28 mm
	95 mm ²	13.5 mm	30 mm
	120 mm ²	15.5 mm	24 mm

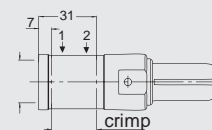
Crimp contacts 650A (with crown contact)(for HC650 inserts)

Contact resistance $\leq 0.3\text{m}\Omega$

silver plated



NO.	Male	Order No.	Female	Order No.
	CHSM650 - 240	08121601000	CHSF650 - 240G	08121602000

For stranded wire acc. to IEC 60 228 - 5
Crimp zone acc. to DIN 46 235

NO.	Wire gauge		Stripping length
	240 mm ²	22.5 mm	46 mm