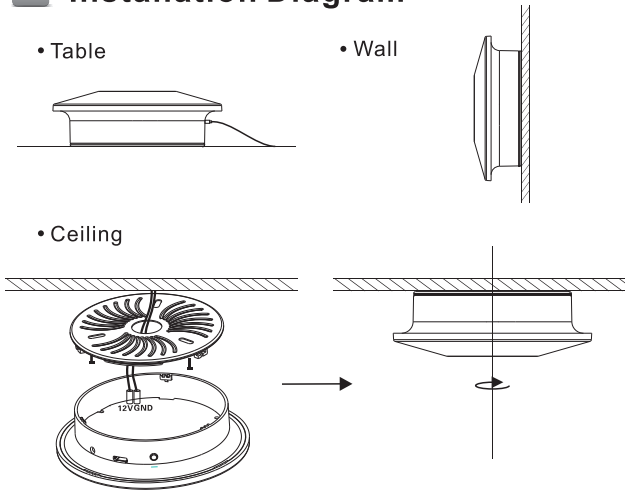


User Manual of IR Repeater

Dear customers,
Sincerely thanks for your selection and support. For proper use, please read this user manual carefully before your operation.

Installation Diagram



IR Repeater Register

Please follow steps below to register IR Repeater:

- ① Use KOTI configuration software or terminal software to set Smart Home Controller into registering status. (Step can refer to related user manual of KOTI configuration software or terminal software)
- ② Long press register key on IR Repeater for 3s until the LED indicator turn off, which means IR Repeater is sending register request.
- ③ If register successfully, the LED indicator of IR Repeater will flash 3 times and keep on. If that fails or timeout, LED indicator will keep on without flashing, please repeat the step 1,2.

Parameters

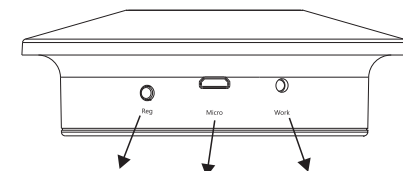
Voltage: DC5V (USB), DC12V (GND)
Self-Consuming Power: ≤ 0.3 W
Operating Temperature: $-10^{\circ}\text{C}\sim 40^{\circ}\text{C}$
Operating Humidity: $\leq 90\%$ RH

RF Communication Distance: ≥ 30 m (Unobstructed)
Infrared Remote Control Distance: ≤ 10 m (Unobstructed)
Communication Mode: Wireless RF
Radio Frequency: RF433 MHz Bidirectional
External Dimension: 102mm*102mm*34mm

Product Specification

Product Name	Model NO.
IR Repeater	SIT5004

Appearance



Registration key Power Port LED Indicator: After connecting to power, the indicator is green and keeps on. When sending out IR signal, the indicator will flash.

Feature

- ① Exquisite appearance, easy installation.
- ② Low-power design.
- ③ Wireless Control 10 infrared devices (work with related master controller)
- ④ Wireless communication, no need wiring.
- ⑤ Transmitting IR signal in 360-degree coverage, without any limited directions.

Product Functions

IR Repeater converts RF signal which emits from Smart Home Controller into IR signal to control those infrared controlled household appliances.

Package Details

IR Repeater	1
Instructions	1
Warranty Card	1
Self-tapping Screw	3
Plastic Extension Bolt	3