

Label sensor CEON

to detect particularly thin or transparent label materials

When self-adhesive labels are applied automatically, paper or plastic materials are in use depending on the requirement. The range includes particularly thin, transparent or metallized labels.

The intelligent CEON label sensor on the labeling head supports reliable identification and precise positioning of all conventional label materials.

Good reasons for choosing CEON label sensors by cab

- easy assembly directly on the peel-off plate
- detection of all label materials at any mesh width
- precise detection even at very high dispensing speeds up to 24,000 inches/min
- high repeat accuracy
- ManualTeach sensor balance independent from the system and by means of AutoTeach directly on the labeling head IXOR
- operating voltage 15 to 30 VDC
- push-pull output: PNP, NPN, 40 mA, short-circuit proof



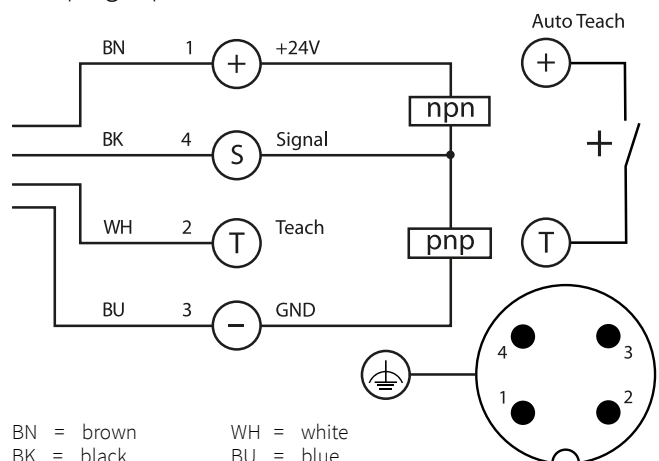
Delivery program

Part no.	Product	Pack unit
5983588.001	Label sensor CEON	1
5983588.806	Label sensor CEON	60
6127450.800	Retainer bar universal 400 mm	1
6127451.800	Retainer bar universal 800 mm	1

Further retainer bars are provided for the IXOR labeling head.

Pin assignment

M12 plug, 4 pins, a-coded



Do you have needs, questions or suggestions?

Advisory services: labeling@cab.de

Sales: labelingspares@cab.de

Repair: labelingservice@cab.de

For further information see www.cab.de/en