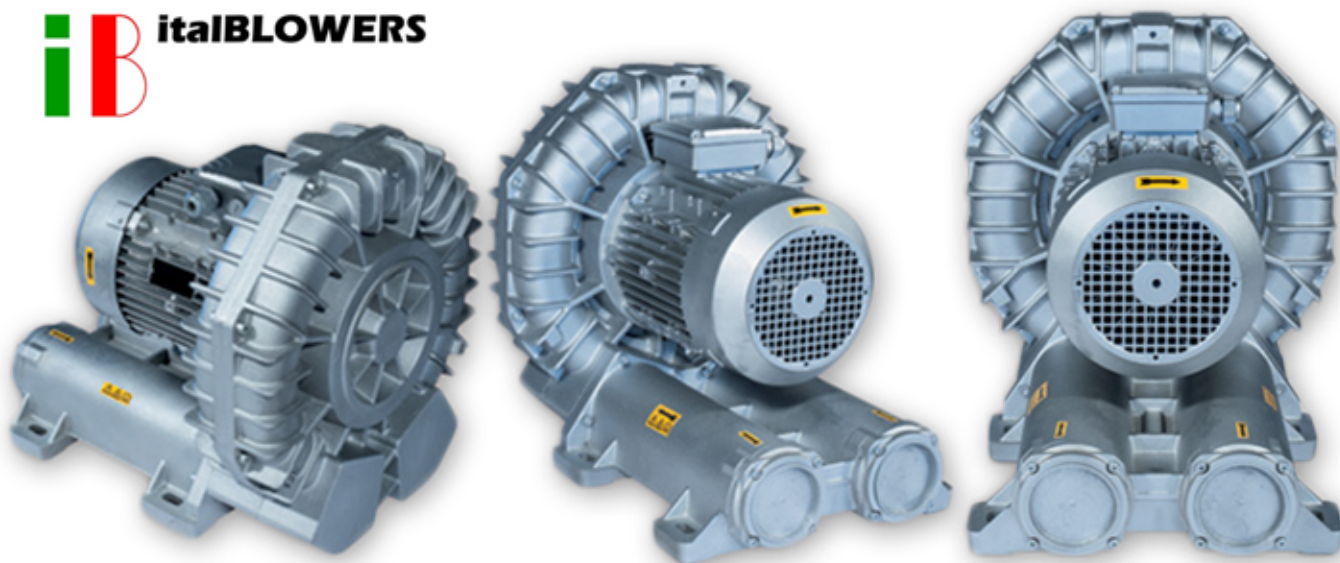


# Side Channel Blowers

A comprehensive range of Single and Double stage Lateral Channel Blowers



Air Control Industries Ltd is the official UK & Ireland distributor for the itaBlowers range of side channel blowers and exhausters.

Available as single and double stage side channel blowers and compressors, in both 50Hz or 60Hz versions

#### Side Channel Compressors:

- 50/60Hz blower delivers pressure up to 650 mbar and flow rates up to 2000 m<sup>3</sup>/hr.

#### Side Channel Exhausters:

- 50/60Hz blower achieves pressure of -450 mbar and flow rates of 2000 m<sup>3</sup>/hr.

#### Accessories:

A variety of spares and accessories are available to compliment our range of side channel blowers, including Filters, Silencers, Pressure Gauges, Hoses, Manifolds, Safety Valves, BSP Fittings and Sound Enclosures.



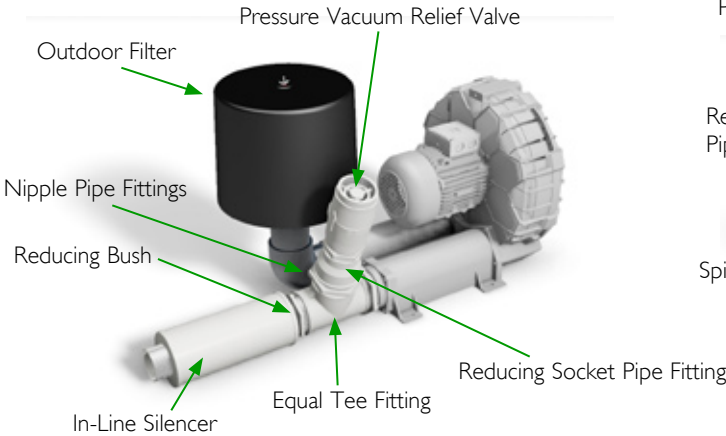
# Side Channel Blowers

A comprehensive range of Single and Double stage Lateral Channel Blowers

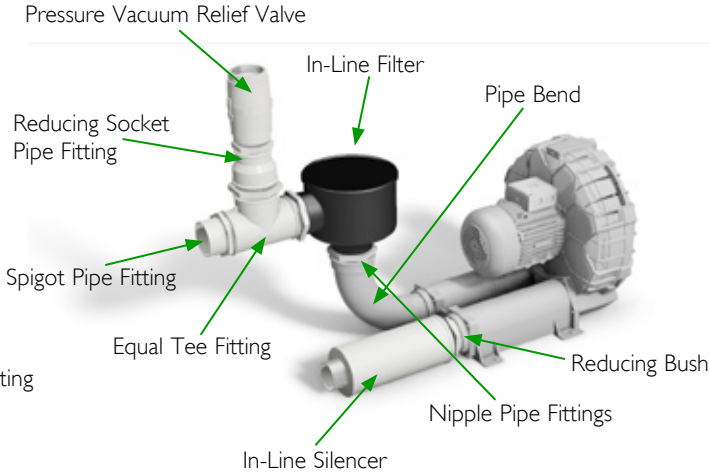
## Accessories

A variety of spares and accessories are available to compliment our range of side channel blowers.

### Side Channel Blowers - Pressure Configuration



### Side Channel Blowers - Vacuum Configuration



## ATEX Versions

A comprehensive range of regenerative blowers for compressing applications is available.

In addition to the standard side channel compressors, ATEX certified versions have been designed.

Please refer to the following web addresses for further information:

[www.aircontrolindustries.com/products/industrial-fans/side-channel-blowers/side-channel-compressors/](http://www.aircontrolindustries.com/products/industrial-fans/side-channel-blowers/side-channel-compressors/)



**Air Control Industries Ltd**  
 Weycroft Avenue, Millwey Rise Industrial Estate,  
 Axminster, Devon, EX13 5HU, United Kingdom  
 Tel: +44(0)1297 529242 Fax: +44(0)1297 529241  
 Email: sales@aircontrolindustries.com

[www.aircontrolindustries.com](http://www.aircontrolindustries.com)

# Side Channel Blowers

A comprehensive range of Single and Double stage Lateral Channel Blowers

## Side Channel Compressors 50Hz Performance Data



Blower Model	$\Delta p$ [hPa] (mbar)	0		50		100		150		200		250		300		350		400		500		600		Maximum Pressure [hPa]	Capacity [m <sup>3</sup> /h]	Installed Power [kW]		
		Capacity [m <sup>3</sup> /h]	Installed Power [kW]	Capacity [m <sup>3</sup> /h]	Installed Power [kW]	Capacity [m <sup>3</sup> /h]	Installed Power [kW]	Capacity [m <sup>3</sup> /h]	Installed Power [kW]	Capacity [m <sup>3</sup> /h]	Installed Power [kW]	Capacity [m <sup>3</sup> /h]	Installed Power [kW]	Capacity [m <sup>3</sup> /h]	Installed Power [kW]	Capacity [m <sup>3</sup> /h]	Installed Power [kW]	Capacity [m <sup>3</sup> /h]	Installed Power [kW]	Capacity [m <sup>3</sup> /h]	Installed Power [kW]							
SINGLE STAGE	X1.08	80	0,4	59	0,4	31	0,4	-	-	-	-	-	-	-	-	-	-	-	-	-	-	-	-	130	10	0,4		
	X1.09	94	0,55	73	0,55	48	0,55	21	0,55	-	-	-	-	-	-	-	-	-	-	-	-	-	-	160	15	0,55		
	X1.13	141	0,85	113	0,85	85	0,85	57	0,85	30	1,3	-	-	-	-	-	-	-	-	-	-	-	-	200	30	1,3		
	X1.21	213	1,5	179	1,5	145	1,5	111	1,5	77	2,2	43	2,2	-	-	-	-	-	-	-	-	-	-	-	270	29	2,2	
	X1.32	326	2,2	288	2,2	250	2,2	212	2,2	175	2,2	137	3,0	99	4,0	-	-	-	-	-	-	-	-	-	325	80	4,0	
	X1.40	420	4,0	392	4,0	363	4,0	335	4,0	306	4,0	278	5,5	249	5,5	221	7,5	192	7,5	-	-	-	-	-	400	192	7,5	
	X1.50	517	5,5	488	5,5	458	5,5	429	5,5	399	7,5	370	7,5	340	7,5	311	9,2	281	9,2	-	-	-	-	-	425	266	11,0	
	X1.70	717	7,5	681	7,5	645	7,5	609	7,5	573	7,5	538	7,5	502	9,2	466	11,0	430	11,0	-	-	-	-	-	450	394	15,0	
	X1.85	850	7,5	812	7,5	774	7,5	736	7,5	698	9,2	660	11,0	622	11,0	584	15,0	546	15,0	-	-	-	-	-	450	508	15,0	
	D1.140	1363	11,0	1295	11,0	1227	11,0	1158	11,0	1090	15,0	1022	15,0	954	18,5	885	18,5	-	-	-	-	-	-	-	-	350	885	18,5
D1.170	1615	15,0	1543	15,0	1471	15,0	1398	15,0	1326	18,5	1254	22,0	1182	22,0	-	-	-	-	-	-	-	-	-	-	300	1182	22,0	
DOUBLE STAGE	X2.05	52	0,55	46	0,55	40	0,55	34	0,55	28	0,55	22	0,55	16	0,55	-	-	-	-	-	-	-	-	300	16	0,55		
	X2.07	68	0,75	61	0,75	54	0,75	48	0,75	41	0,75	35	0,75	29	0,75	23	1,1	17	1,1	-	-	-	-	-	400	17	1,1	
	X2.10	96	1,1	88	1,1	81	1,1	73	1,1	66	1,1	59	1,1	52	1,1	45	1,5	38	1,5	-	-	-	-	-	400	38	1,5	
	X2.14	135	2,2	126	2,2	118	2,2	110	2,2	102	2,2	94	2,2	86	2,2	78	2,2	70	2,2	55	3,0	-	-	-	-	500	55	3,0
	X2.20	203	4,0	194	4,0	184	4,0	175	4,0	166	4,0	158	4,0	149	4,0	141	4,0	133	4,0	117	5,5	-	-	-	-	575	106	5,5
	X2.25	255	5,5	246	5,5	238	5,5	230	5,5	221	5,5	214	5,5	206	5,5	198	5,5	191	7,5	177	7,5	164	7,5	-	-	600	164	7,5
	X2.35	354	5,5	342	5,5	331	5,5	319	5,5	308	5,5	297	5,5	286	5,5	276	5,5	265	7,5	245	7,5	226	9,2	-	-	625	221	11,0
	X2.42	420	7,5	408	7,5	395	7,5	383	7,5	371	7,5	360	7,5	348	7,5	337	7,5	326	9,2	304	11,0	283	11,0	-	-	650	273	15,0
	D2.50	514	7,5	501	7,5	488	7,5	475	7,5	462	7,5	449	7,5	436	9,2	423	9,2	410	11,0	384	15,0	358	15,0	-	-	650	345	15,0
	D2.70	713	11,0	697	11,0	681	11,0	666	11,0	650	11,0	634	11,0	618	11,0	603	11,0	587	15,0	555	15,0	524	18,5	-	-	650	508	18,5
D2.85	846	15,0	829	15,0	813	15,0	796	15,0	779	15,0	763	15,0	746	15,0	729	15,0	713	18,5	679	22,0	646	22,0	-	-	600	646	22,0	

Notes:  
(1) Performance data and curves refer to operative conditions to air at 15°C temperature and 1013 hPa (abs) pressure measured at inlet port. Tolerance on capacity value: +/-10%.  
1 hPa = 1 mbar

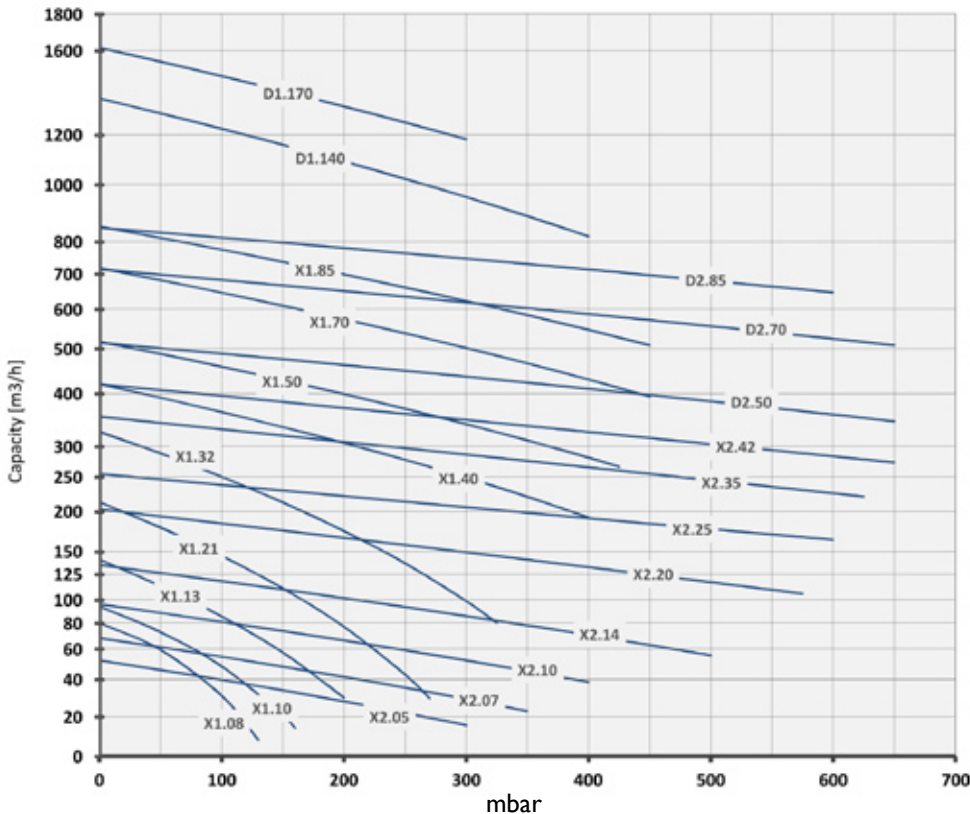
Data subject to change without prior notice.

Technical data\_Compressors\_50-en - rev.04

# Side Channel Blowers

A comprehensive range of Single and Double stage Lateral Channel Blowers

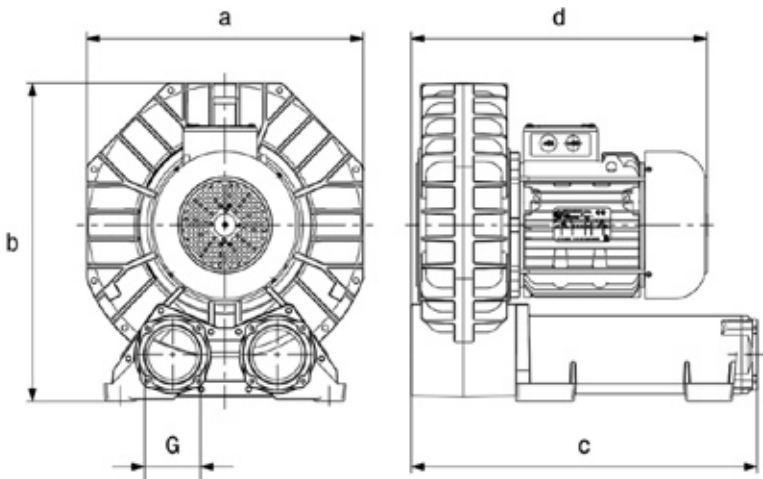
## Side Channel Compressors 50Hz Performance Curves



The illustrated curves to the left are for selection purposes only. For full performance details, please contact us to speak to one of our sales engineers.



### Overall Dimensions



Blower Model	a	b	c	d	G
X1.08	246	247	229	236	G 1 1/4"
X1.10	268	272	234	260	G 1 1/4"
X1.13	285	302	240	294	G 1 1/4"
X1.21	334	337	298	346	G2"
X1.32	382	384	333	432	G2"
X1.40	424	475	506	453	G3"
X1.50	454	490	506	453	G3"
X1.70	495	534	604	558	G4"
X1.85	523	565	604	558	G4"
D1.14	495	605	935	852	G5"
D1.17	523	636	935	852	G5"

Blower Model	a	b	c	d	G
X2.05	270	297	325	280	G 1 1/4"
X2.07	295	325	334	305	G 1 1/4"
X2.10	332	366	347	318	G 1 1/4"
X2.14	370	408	360	342	G 1 1/4"
X2.20	424	475	506	453	G3"
X2.25	454	490	506	453	G3"
X2.35	495	534	604	558	G4"
X2.42	523	565	604	558	G4"
D2.50	454	490	637	679	G3"
D2.70	495	534	783	852	G4"
D2.85	523	565	783	852	G4"

# Side Channel Blowers

A comprehensive range of Single and Double stage Lateral Channel Blowers

## Side Channel Compressors 60Hz Performance Data



Blower Model	Δp [hPa] (mbar)	0		50		100		150		200		250		300		350		400		500		600		Maximum Pressure [hPa]	Capacity [m <sup>3</sup> /h]	Installed Power [kW]	
		Capacity [m <sup>3</sup> /h]	Installed Power [kW]	Capacity [m <sup>3</sup> /h]	Installed Power [kW]	Capacity [m <sup>3</sup> /h]	Installed Power [kW]	Capacity [m <sup>3</sup> /h]	Installed Power [kW]	Capacity [m <sup>3</sup> /h]	Installed Power [kW]	Capacity [m <sup>3</sup> /h]	Installed Power [kW]	Capacity [m <sup>3</sup> /h]	Installed Power [kW]	Capacity [m <sup>3</sup> /h]	Installed Power [kW]	Capacity [m <sup>3</sup> /h]	Installed Power [kW]	Capacity [m <sup>3</sup> /h]	Installed Power [kW]						
SINGLE STAGE	X1.08	96	0,5	80	0,5	60	0,5	-	-	-	-	-	-	-	-	-	-	-	-	-	-	-	-	120	50	0,5	
	X1.09	110	0,62	96	0,62	77	0,62	56	0,62	-	-	-	-	-	-	-	-	-	-	-	-	-	-	150	56	0,62	
	X1.13	175	0,95	147	0,95	123	0,95	100	1,5	-	-	-	-	-	-	-	-	-	-	-	-	-	-	180	85	1,5	
	X1.21	250	1,75	229	1,75	201	1,75	172	1,75	144	2,55	116	2,55	-	-	-	-	-	-	-	-	-	-	-	250	116	2,55
	X1.32	390	2,55	362	2,55	331	2,55	299	2,55	268	3,45	237	4,6	205	4,6	-	-	-	-	-	-	-	-	-	300	205	4,6
	X1.40	507	5,5	483	5,5	460	5,5	436	5,5	412	5,5	389	7,5	365	7,5	342	9,2	318	9,2	-	-	-	-	-	425	306	9,2
	X1.50	624	7,5	600	7,5	575	7,5	551	7,5	526	7,5	502	9,2	477	11,0	453	11,0	427	11,0	-	-	-	-	-	375	441	11,0
	X1.70	865	9,2	836	9,2	806	9,2	776	9,2	746	9,2	717	11,0	687	15,0	657	15,0	627	15,0	-	-	-	-	-	450	598	18,5
	X1.85	1026	11,0	994	11,0	963	11,0	931	11,0	900	15,0	868	15,0	837	18,5	805	18,5	-	-	-	-	-	-	-	375	790	18,5
	D1.140	1645	15,0	1588	15,0	1532	15,0	1475	15,0	1419	18,5	1362	18,5	1306	22,0	-	-	-	-	-	-	-	-	-	300	1306	22,0
D1.170	1949	18,5	1889	18,5	1829	18,5	1770	22,0	-	-	-	-	-	-	-	-	-	-	-	-	-	-	-	175	1740	22,0	
DOUBLE STAGE	X2.05	63	0,55	58	0,55	52	0,55	47	0,55	42	0,55	37	0,55	32	0,55	-	-	-	-	-	-	-	-	325	30	0,55	
	X2.07	82	1,1	76	1,1	71	1,1	65	1,1	60	1,1	54	1,1	49	1,1	44	1,1	-	-	-	-	-	-	375	41	1,1	
	X2.10	116	1,5	110	1,5	103	1,5	97	1,5	91	1,5	85	1,5	79	1,5	73	1,5	67	2,2	-	-	-	-	450	61	2,2	
	X2.14	163	2,2	156	2,2	149	2,2	142	2,2	135	2,2	128	2,2	121	2,2	115	2,2	108	3,0	95	3,0	-	-	500	95	3,0	
	X2.20	245	4,0	237	4,0	229	4,0	222	4,0	214	4,0	207	4,0	199	5,5	192	5,5	185	5,5	171	7,5	158	7,5	600	158	7,5	
	X2.25	308	7,5	301	7,5	293	7,5	286	7,5	280	7,5	273	7,5	266	7,5	260	7,5	253	9,2	241	9,2	228	11,0	600	228	11,0	
	X2.35	427	7,5	417	7,5	408	7,5	398	7,5	389	7,5	379	7,5	370	7,5	361	7,5	352	9,2	334	11,0	317	15,0	600	317	15,0	
	X2.42	507	9,2	497	9,2	486	9,2	476	9,2	466	9,2	456	9,2	446	9,2	437	11,0	427	11,0	408	15,0	390	15,0	600	390	15,0	
	D2.50	620	11,0	610	11,0	599	11,0	588	11,0	577	11,0	567	11,0	556	11,0	545	15,0	534	15,0	513	15,0	491	18,5	600	491	18,5	
	D2.70	861	15,0	847	15,0	834	15,0	821	15,0	808	15,0	795	15,0	782	15,0	769	15,0	756	18,5	730	18,5	-	-	500	730	18,5	
D2.85	1021	18,5	1007	18,5	993	18,5	980	18,5	966	18,5	952	18,5	938	22,0	924	22,0	-	-	-	-	-	-	-	375	917	22,0	

Notes:  
(1) Performance data and curves refer to operative conditions to air at 15°C temperature and 1013 hPa (abs) pressure measured at inlet port. Tolerance on capacity value: +/-10%.  
1 hPa = 1 mbar

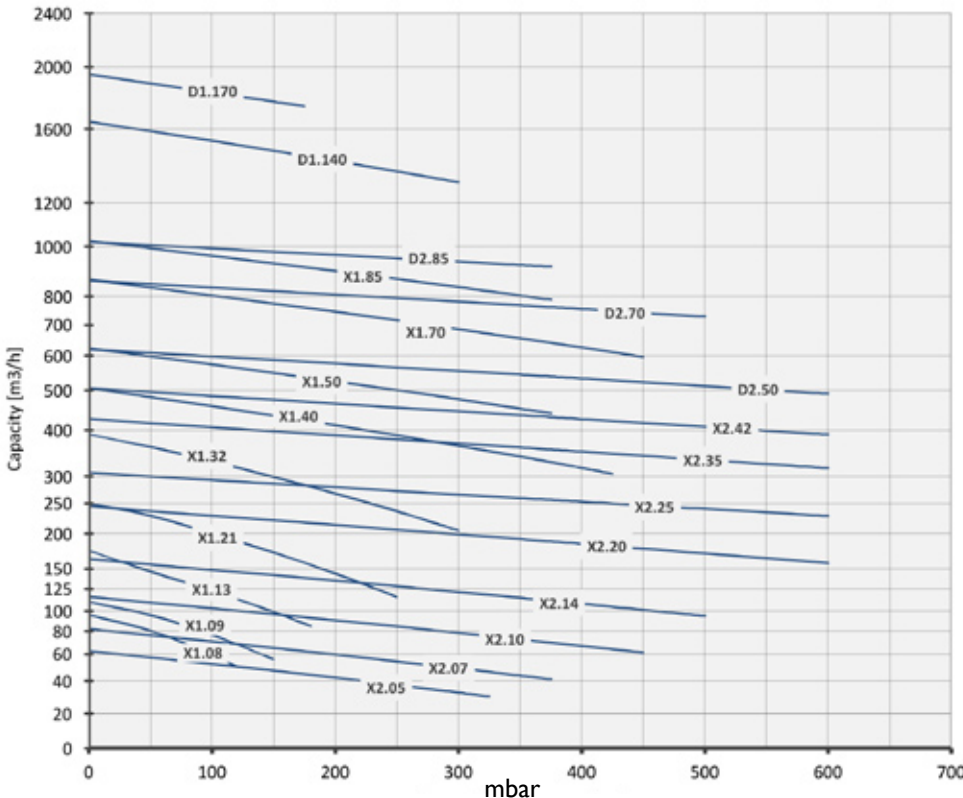
Data subject to change without prior notice.

Technical data\_Compressors\_60-en - rev.02

# Side Channel Blowers

A comprehensive range of Single and Double stage Lateral Channel Blowers

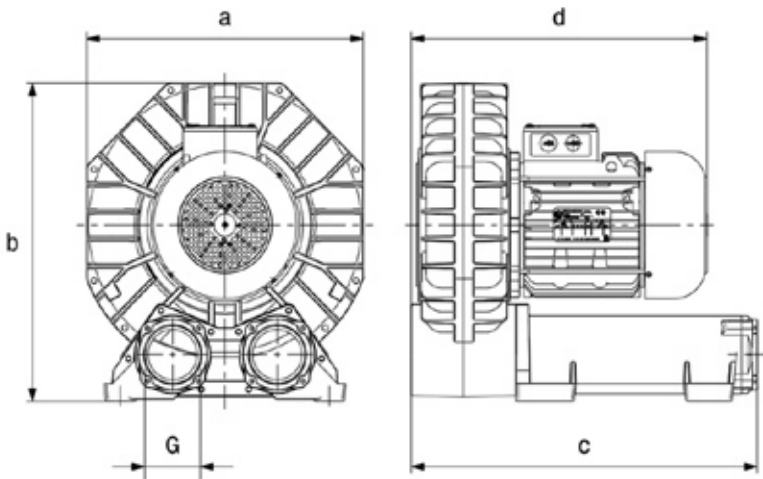
## Side Channel Compressors 60Hz Performance Curves



The illustrated curves to the left are for selection purposes only. For full performance details, please contact us to speak to one of our sales engineers.



### Overall Dimensions



Blower Model	a	b	c	d	G	Blower Model	a	b	c	d	G		
SINGLE STAGE	X1.08	246	247	229	256	G 1 1/2"	DOUBLE STAGE	X2.05	265	303	334	305	G 1 1/2"
	X1.09	268	272	234	260	G 1 1/2"		X2.07	291	323	344	323	G 1 1/2"
	X1.13	285	302	240	294	G 1 1/2"		X2.10	334	366	362	329	G 1 1/2"
	X1.21	334	337	298	346	G2"		X2.14	372	404	372	390	G 1 1/2"
	X1.32	382	384	333	432	G2"		X2.20	424	475	529	453	G3"
	X1.40	424	475	529	453	G3"		X2.25	454	490	529	453	G3"
	X1.50	454	490	529	485	G3"		X2.35	512	564	597	561	G4"
	X1.70	512	564	597	561	G4"		X2.42	523	565	604	598	G4"
	X1.85	523	565	604	558	G4"		D2.50	483	510	520	898	G3"
	D1.140	512	634	917	735	G5"		D2.70	560	636	950	907	G4"
	D1.170	523	634	928	832	G5"		D2.85	564	636	991	1070	G4"



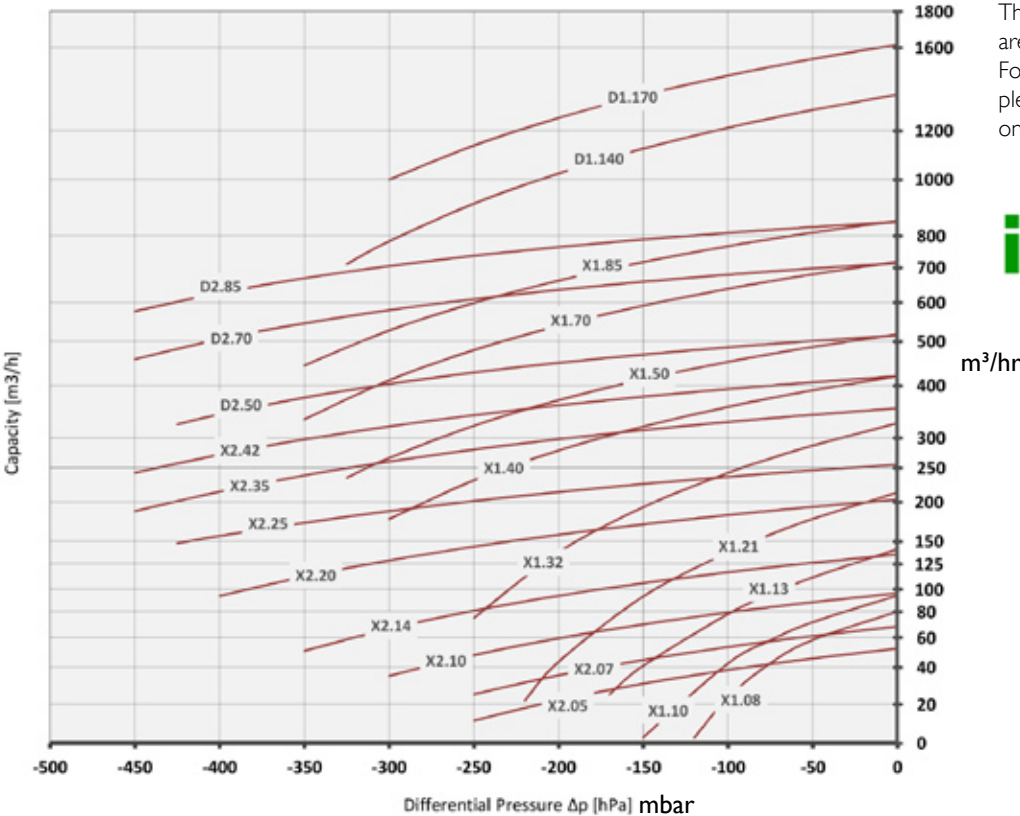


# Side Channel Blowers

A comprehensive range of Single and Double stage Lateral Channel Blowers

## Side Channel Exhausters 50Hz

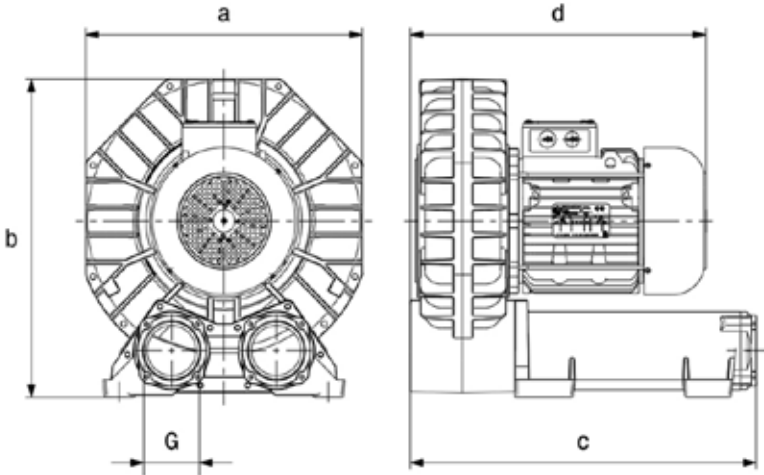
### Performance Curves



The illustrated curves to the left are for selection purposes only. For full performance details, please contact us to speak to one of our sales engineers.



### Overall Dimensions



Blower Model	a	b	c	d	G	
SINGLE STAGE	X1.08	246	247	229	256	G 1 1/4"
	X1.10	268	272	234	260	G 1 1/4"
	X1.13	285	302	240	294	G 1 1/4"
	X1.21	334	337	298	346	G2"
	X1.32	382	384	333	432	G2"
	X1.40	424	475	506	453	G3"
	X1.50	454	490	506	453	G3"
	X1.70	495	534	604	558	G4"
	X1.85	523	565	604	558	G4"
	D1.140	495	605	935	852	G5"
D1.170	523	636	935	852	G5"	
DOUBLE STAGE	X2.05	270	297	325	280	G 1 1/4"
	X2.07	295	325	334	305	G 1 1/4"
	X2.10	332	366	347	318	G 1 1/4"
	X2.14	370	408	360	342	G 1 1/4"
	X2.20	424	475	506	453	G3"
	X2.25	454	490	506	453	G3"
	X2.35	495	534	604	558	G4"
	X2.42	523	565	604	558	G4"
	D2.50	454	490	637	679	G3"
	D2.70	495	534	783	852	G4"
D2.85	523	565	783	852	G4"	



# Side Channel Blowers

A comprehensive range of Single and Double stage Lateral Channel Blowers

## Side Channel Exhausters 60Hz Performance Data



Blower Model	0		-50		-75		-100		-150		-200		-250		-300		-350		-400		-450		Maximum Vacuum [hPa]				
	Capacity [m3/h]	Installed Power [kW]	Capacity [m3/h]	Installed Power [kW]	Capacity [m3/h]	Installed Power [kW]	Capacity [m3/h]	Installed Power [kW]	Capacity [m3/h]	Installed Power [kW]	Capacity [m3/h]	Installed Power [kW]	Capacity [m3/h]	Installed Power [kW]	Capacity [m3/h]	Installed Power [kW]	Capacity [m3/h]	Installed Power [kW]	Capacity [m3/h]	Installed Power [kW]							
<b>DOUBLE STAGE</b>	X1.08	96	0,5	79	0,5	68	0,5	55	0,5	-	-	-	-	-	-	-	-	-	-	-	-	-	-120	42	0,5		
	X1.09	110	0,62	95	0,62	84	0,62	73	0,62	45	0,62	-	-	-	-	-	-	-	-	-	-	-	-150	45	0,62		
	X1.13	175	0,95	145	0,95	132	0,95	118	0,95	87	1,5	-	-	-	-	-	-	-	-	-	-	-	-180	67	1,5		
	X1.21	250	1,75	227	1,75	211	1,75	194	1,75	158	1,75	116	2,55	-	-	-	-	-	-	-	-	-	-	-230	89	2,55	
	X1.32	390	2,55	360	2,55	343	2,55	324	2,55	283	2,55	237	3,45	185	3,45	126	4,6	-	-	-	-	-	-	-300	126	4,6	
	X1.40	507	5,5	482	5,5	469	5,5	454	5,5	424	5,5	389	5,5	350	7,5	306	7,5	-	-	-	-	-	-	-300	306	7,5	
	X1.50	624	7,5	598	7,5	584	7,5	570	7,5	538	7,5	502	7,5	462	9,2	416	11,0	-	-	-	-	-	-	-325	390	11,0	
	X1.70	865	9,2	834	9,2	817	9,2	799	9,2	761	9,2	717	9,2	668	11,0	612	15,0	547	15,0	-	-	-	-	-350	547	15,0	
	X1.85	1026	11,0	993	11,0	975	11,0	956	11,0	915	11,0	869	15,0	817	15,0	757	18,5	689	18,5	-	-	-	-	-350	689	18,5	
	X1.140	1645	15,0	1586	15,0	1553	15,0	1520	15,0	1446	15,0	1363	18,5	1270	18,5	1163	22,0	-	-	-	-	-	-	-300	1163	22,0	
	D1.170	1949	18,5	1886	18,5	1852	18,5	1816	18,5	1738	22,0	1651	22,0	-	-	-	-	-	-	-	-	-	-	-200	1651	22,0	
	<b>SINGLE STAGE</b>	X2.05	63	0,55	57	0,55	54	0,55	51	0,55	45	0,55	37	0,55	29	0,55	-	-	-	-	-	-	-	-250	29	0,55	
		X2.07	82	0,75	76	0,75	73	0,75	70	0,75	62	0,75	54	0,75	46	0,75	36	0,75	-	-	-	-	-	-	-300	36	0,75
X2.10		116	1,1	109	1,1	106	1,1	102	1,1	94	1,1	85	1,1	75	1,1	64	1,1	52	1,5	-	-	-	-	-350	52	1,5	
X2.14		163	2,2	155	2,2	151	2,2	147	2,2	138	2,2	128	2,2	117	2,2	105	2,2	91	2,2	-	-	-	-	-350	91	2,2	
X2.20		245	4,0	237	4,0	232	4,0	228	4,0	218	4,0	207	4,0	195	4,0	181	5,5	166	5,5	150	5,5	-	-	-	-400	150	5,5
X2.25		308	7,5	300	7,5	296	7,5	292	7,5	283	7,5	273	7,5	262	7,5	250	7,5	236	7,5	221	9,2	-	-	-	-425	213	9,2
X2.35		427	7,5	417	7,5	411	7,5	406	7,5	393	7,5	379	7,5	364	7,5	347	7,5	328	7,5	307	9,2	282	9,2	-	-450	282	9,2
X2.42		507	9,2	496	9,2	490	9,2	484	9,2	471	9,2	456	9,2	440	9,2	422	9,2	402	11,0	379	11,0	353	15,0	-	-450	353	15,0
D2.50		620	11,0	609	11,0	603	11,0	596	11,0	582	11,0	567	11,0	549	11,0	529	11,0	505	15,0	478	15,0	-	-	-	-425	463	15,0
D2.70		861	15,0	847	15,0	839	15,0	832	15,0	815	15,0	795	15,0	774	15,0	749	15,0	721	15,0	688	18,5	649	18,5	-	-450	649	18,5
D2.85	1021	18,5	1007	18,5	999	18,5	990	18,5	972	18,5	952	18,5	929	18,5	903	22,0	873	22,0	-	-	-	-	-	-375	857	22,0	

Notes:  
 (1) Performance data and curves refer to operative conditions to air at 15°C temperature measured at inlet port and a pressure of 1013 hPa (abs) at outlet port.  
 Tolerance on capacity value: +/-10%.  
 1 hPa = 1 mbar

Data subject to change without prior notice.

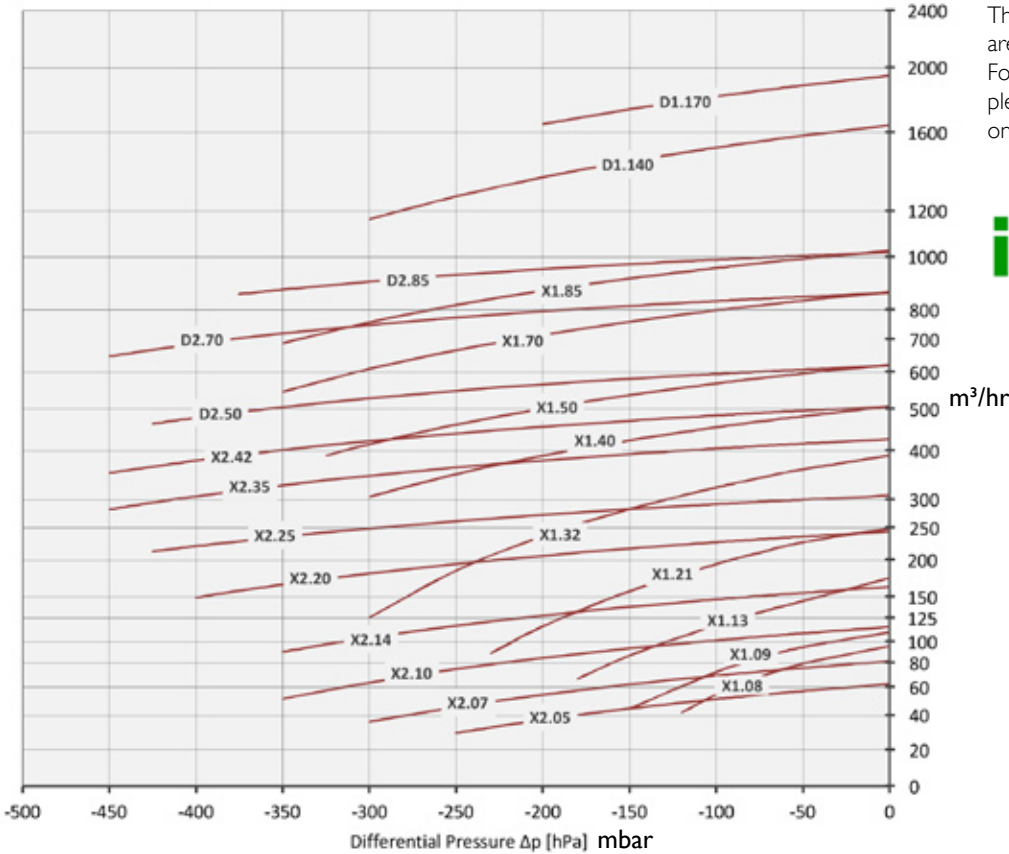
Technical data\_Exhausters\_60-en-rv02

# Side Channel Blowers

A comprehensive range of Single and Double stage Lateral Channel Blowers

## Side Channel Exhausters 60Hz

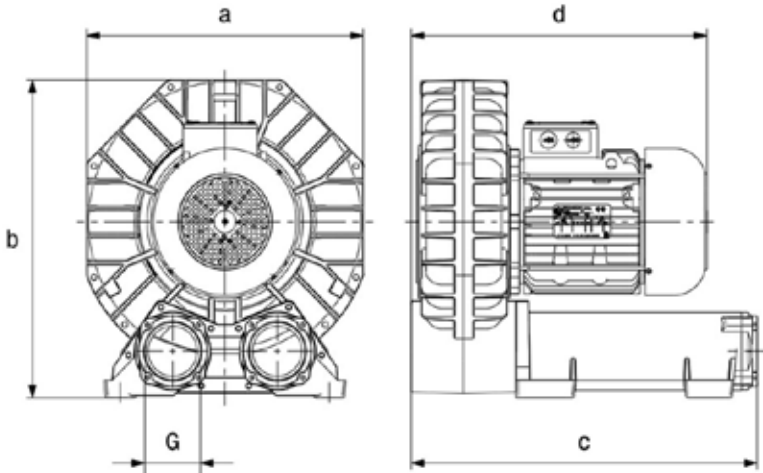
### Performance Curves



The illustrated curves to the left are for selection purposes only. For full performance details, please contact us to speak to one of our sales engineers.



### Overall Dimensions



Blower Model	a	b	c	d	G
X1.08	246	247	229	256	G 1 1/2"
X1.09	268	272	234	260	G 1 1/2"
X1.13	285	302	240	294	G 1 1/2"
X1.21	334	337	298	346	G2"
X1.32	382	384	333	432	G2"
X1.40	424	475	529	453	G3"
X1.50	454	490	529	453	G3"
X1.70	512	564	597	561	G4"
X1.85	523	565	604	558	G4"
D1.140	512	634	917	735	G5"
D1.170	523	634	928	832	G5"

Blower Model	a	b	c	d	G
X2.05	265	303	334	305	G 1 1/2"
X2.07	291	323	344	323	G 1 1/2"
X2.10	334	366	362	329	G 1 1/2"
X2.14	372	404	372	390	G 1 1/2"
X2.20	424	475	529	453	G3"
X2.25	454	490	529	453	G3"
X2.35	512	564	597	561	G4"
X2.42	523	565	604	558	G4"
D2.50	483	510	920	898	G3"
D2.70	560	636	950	907	G4"
D2.85	564	636	991	955	G4"