

HFM Centrifugal Fans

A comprehensive range of forward curved centrifugal fans



ACI's latest range of forward curved centrifugal fans is a homogenous design and available in 1Ph or 3Ph, 2 or 4 pole, and ATEX rated versions for explosive risk areas.

Key Performance Figures:

- Flow rates up to 10,000m³/hr
- Pressures up to 33mBar

General Characteristics:

- Suitable for continuous running up to 48°C and 148°C when fitted with a heat spinner
- All casings manufactured from sheet steel - powder coated (black) as standard. Options include Stainless Steel (304 or 316); Aluminium (unpainted or powder coated)
- The HFM range incorporates forward curved centrifugal impellers manufactured from galvanised sheet steel as standard. Stainless Steel variations also available
- Standard motors are IP54 or IP55, but others are available on request
- Standard supply options:
 - 1Ph, 240V, 50Hz
 - 3Ph, 380/420VY / 220/240VD, 50Hz
 - Others available on request

Accessories Include:

- Guards
- Inlet & Discharge Spigots
- Optional Discharge Flanges
- Pedestals
- Inlet Bushes / Studs
- Filters
- Heat Spinners

Dynamically balanced, forward curved impellers offer excellent operating characteristics and low noise levels.

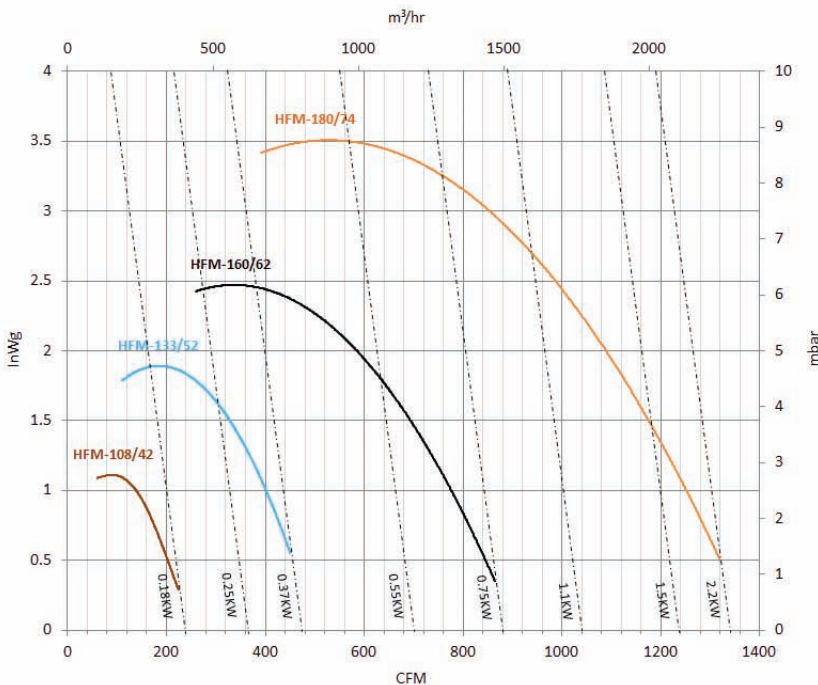
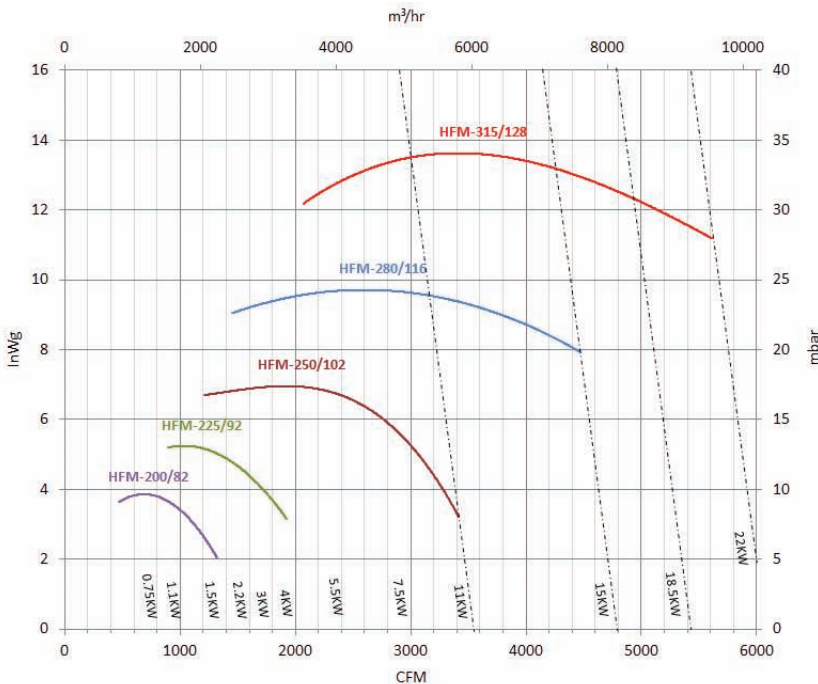


HFM Centrifugal Fans

A comprehensive range of forward curved centrifugal fans

50 Hz Performance Curves:

The illustrated curves are for 50Hz and are for selection purposes only. For full performance details please refer to the specific data sheets.

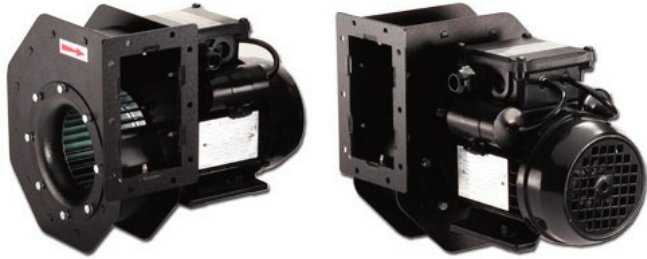


Air Control Industries Ltd
 Weycroft Avenue, Millwey Rise Industrial Estate,
 Axminster, Devon, EX13 5HU, United Kingdom
 Tel: +44(0)1297 529242 Fax: +44(0)1297 529241
 Email: sales@aircontrolindustries.com

HFM 108/42

Single Inlet Centrifugal Fan (2 pole)

General Characteristics:

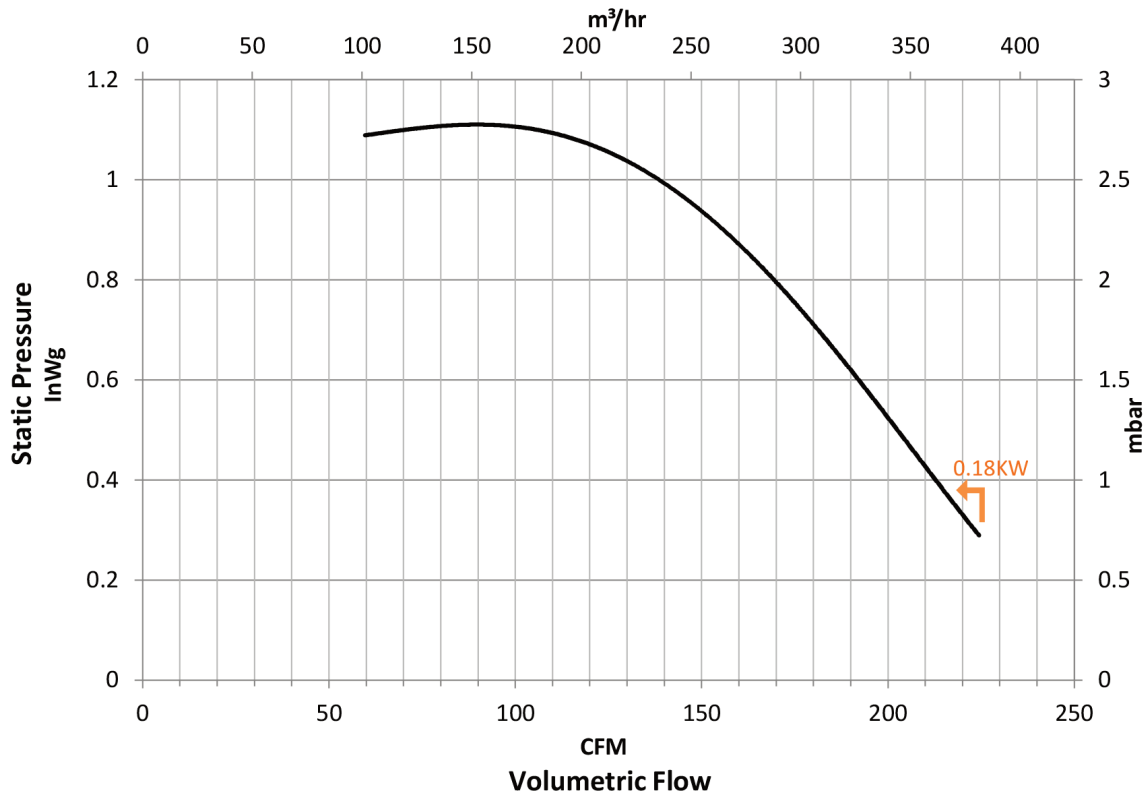


[Please note - image above may not be representative of the unit supplied]

Motor type:	Standard motors are IP54 or IP55. More available on request
Nominal supply:	220/240V or 115V, 1Ph, 50/60Hz Others available on request
Materials & Finishes:	Sheet steel and powder coated (standard finish in black) Options include Stainless Steel (304 or 316); Aluminum - unpainted or powder coated
Motor variations:	ATEX, CE, CSA, UL available on request
Noise levels (max):	70.1dB(A) Free Air, 1M

Performance Curves:

HFM-108/42



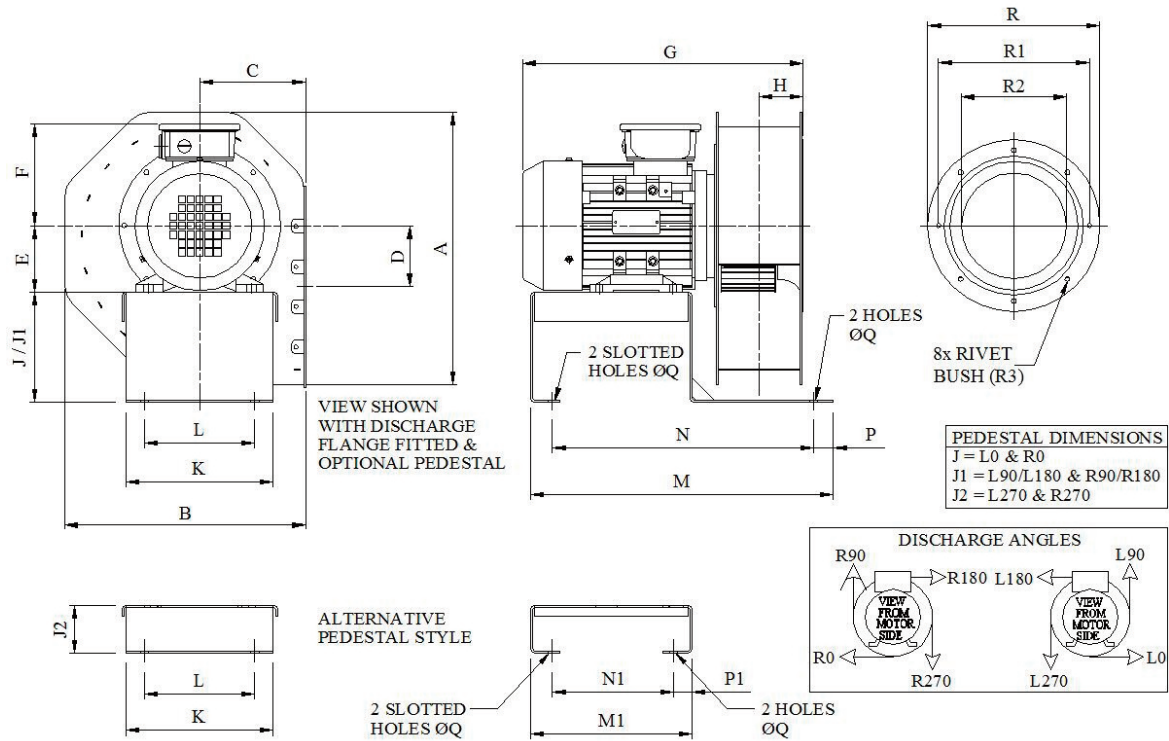
HFM 108/42

Single Inlet Centrifugal Fan (2 pole)

Outline Drawing:

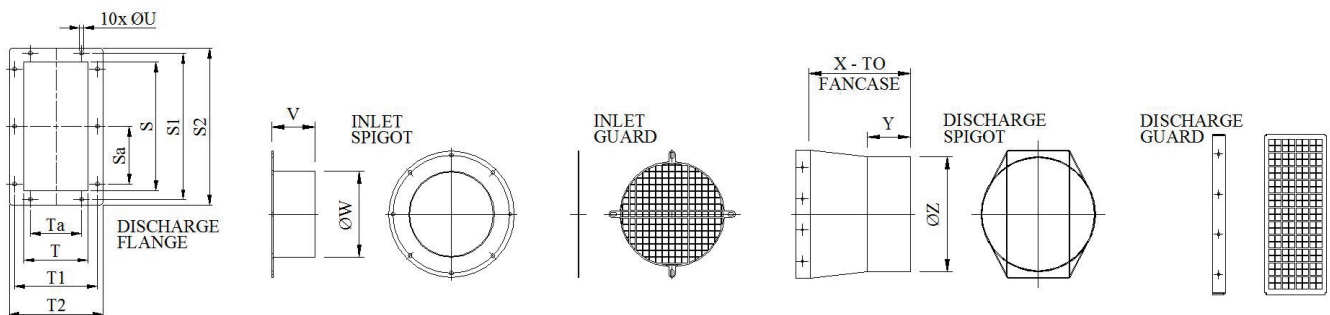
		FAN								OPTIONAL PEDESTAL										INLET				WEIGHT		
Model	Power (kW)	A	B	C	D	E	F	G	H	J	J1	J2	K	L	M	M1	N	N1	P	P1	ØQ	R	R1	R2	R3	(KG)
HFM-108/42	0.18	230	212	98	57	63	125	258	36	105	75	44	112	100	317	170	270	130	27	27	11	140	125	82	M5	6.2

[Note - Dimensions 'F' & 'G' may vary depending on motor style. Weights specified are for standard units with no accessories attached.]



Accessories:

Model	DISCHARGE FLANGE								INLET SPIGOT		DISCHARGE SPIGOT			
	S	S1	S2	Sa	T	T1	T2	Ta	ØU	V	ØW	X	Y	ØZ
HFM-108/42	120	145	160	55	67	90	109	50	6	50	100	103	50	100

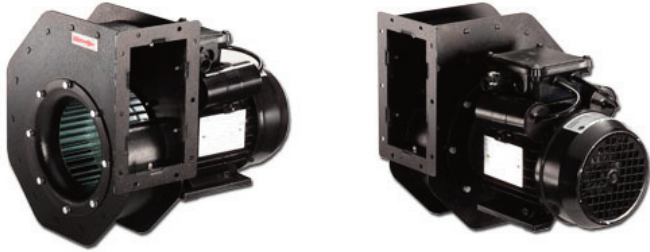


Please note(1) - all drawing measurements are millimetres
 Please note(2) - above technical specifications maybe subject to change
 Please note(3) - image of fan may not be representative of the unit supplied

HFM 133/52

Single Inlet Centrifugal Fan (2 pole)

General Characteristics:

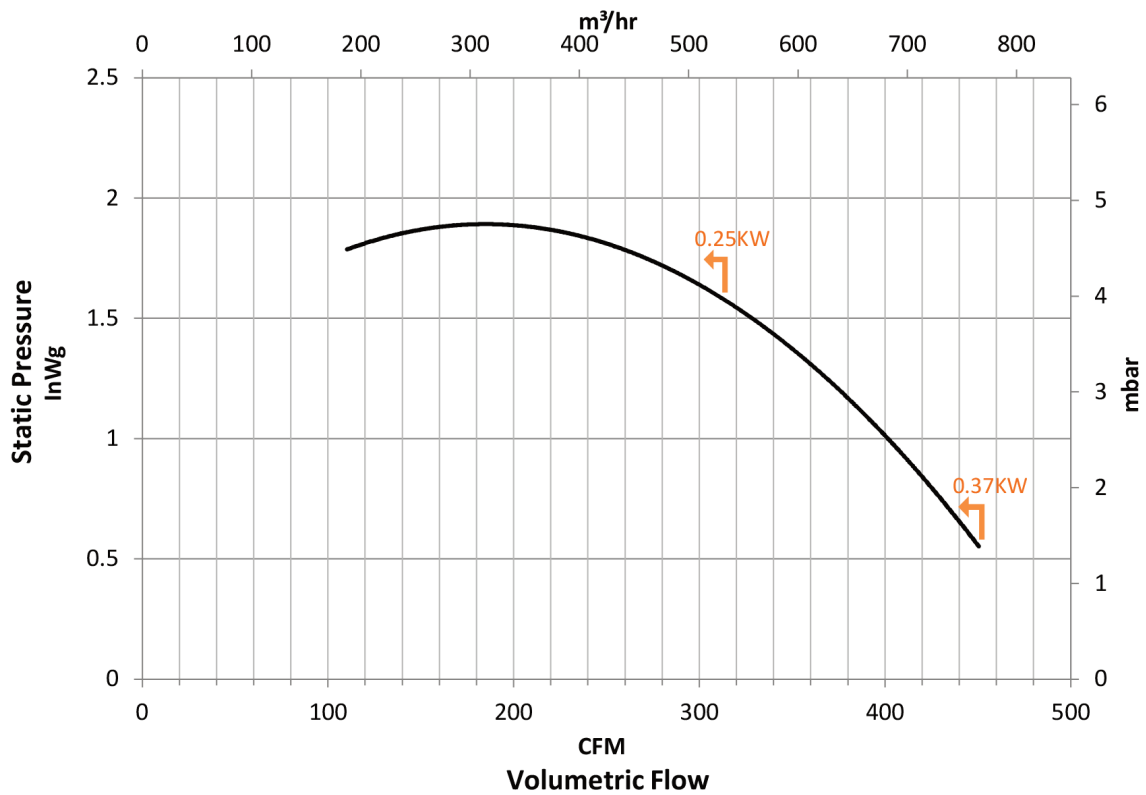


[Please note - image above may not be representative of the unit supplied]

Motor type:	Standard motors are IP54 or IP55. More available on request
Nominal supply:	220/240V or 115V, 1Ph, 50/60Hz Others available on request
Materials & Finishes:	Sheet steel and powder coated (standard finish in black) Options include Stainless Steel (304 or 316); Aluminum - unpainted or powder coated
Motor variations:	ATEX, CE, CSA, UL available on request
Noise levels (max):	73dB(A) Free Air, 1M

Performance Curves:

HFM-133/52



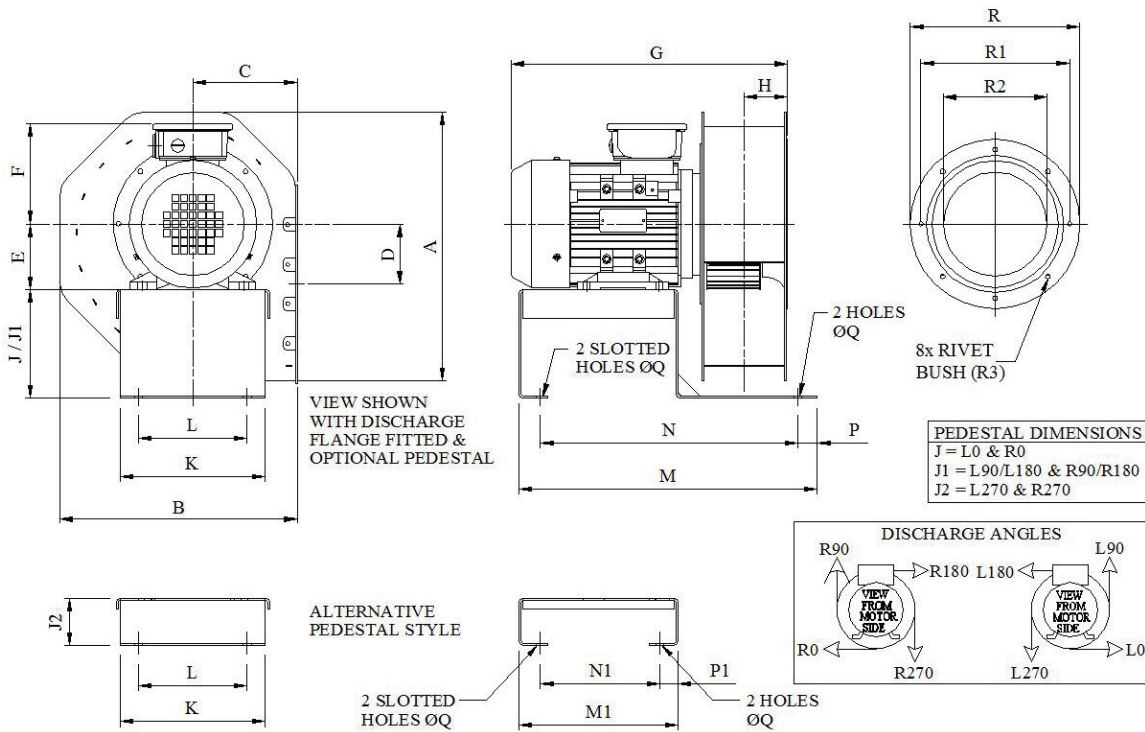
HFM 133/52

Single Inlet Centrifugal Fan (2 pole)

Outline Drawing:

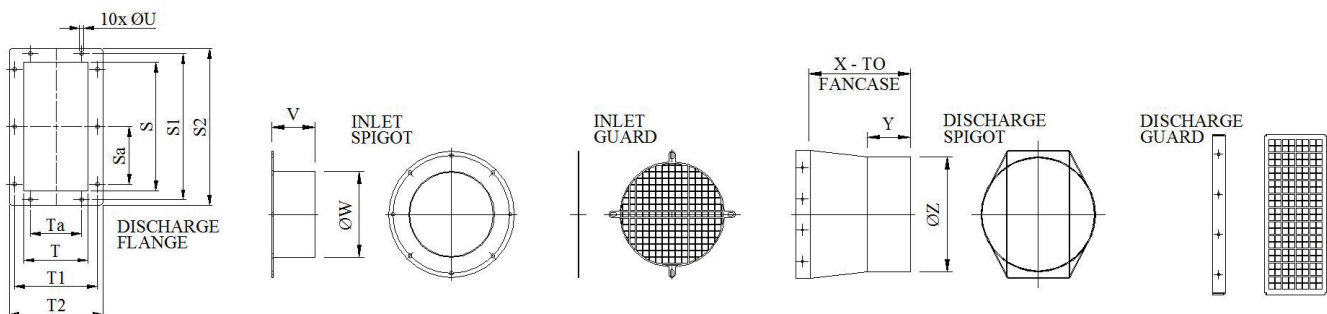
Model	Power (kW)	FAN								OPTIONAL PEDESTAL										INLET				WEIGHT (KG)		
		A	B	C	D	E	F	G	H	J	J1	J2	K	L	M	M1	N	N1	P	P1	ØQ	R	R1		R2	R3
HFM-133/52	0.25	275	249	114	69	63	93	272	43	105	75	44	112	100	317	170	270	130	27	27	11	160	155	107	M5	6.2
	71					133	303	9.0																		

[Note - Dimensions 'F' & 'G' may vary depending on motor style. Weights specified are for standard units with no accessories attached.]



Accessories:

Model	DISCHARGE FLANGE								INLET SPIGOT		DISCHARGE SPIGOT			
	S	S1	S2	Sa	T	T1	T2	Ta	ØU	V	ØW	X	Y	ØZ
HFM-133/52	150	175	190	70	80	105	122	60	6	50	100	103	50	125

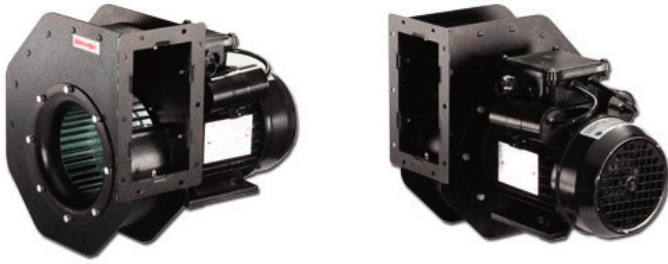


Please note(1) - all drawing measurements are millimetres
 Please note(2) - above technical specifications maybe subject to change
 Please note(3) - image of fan may not be representative of the unit supplied

HFM 160/62

Single Inlet Centrifugal Fan (2 pole)

General Characteristics:

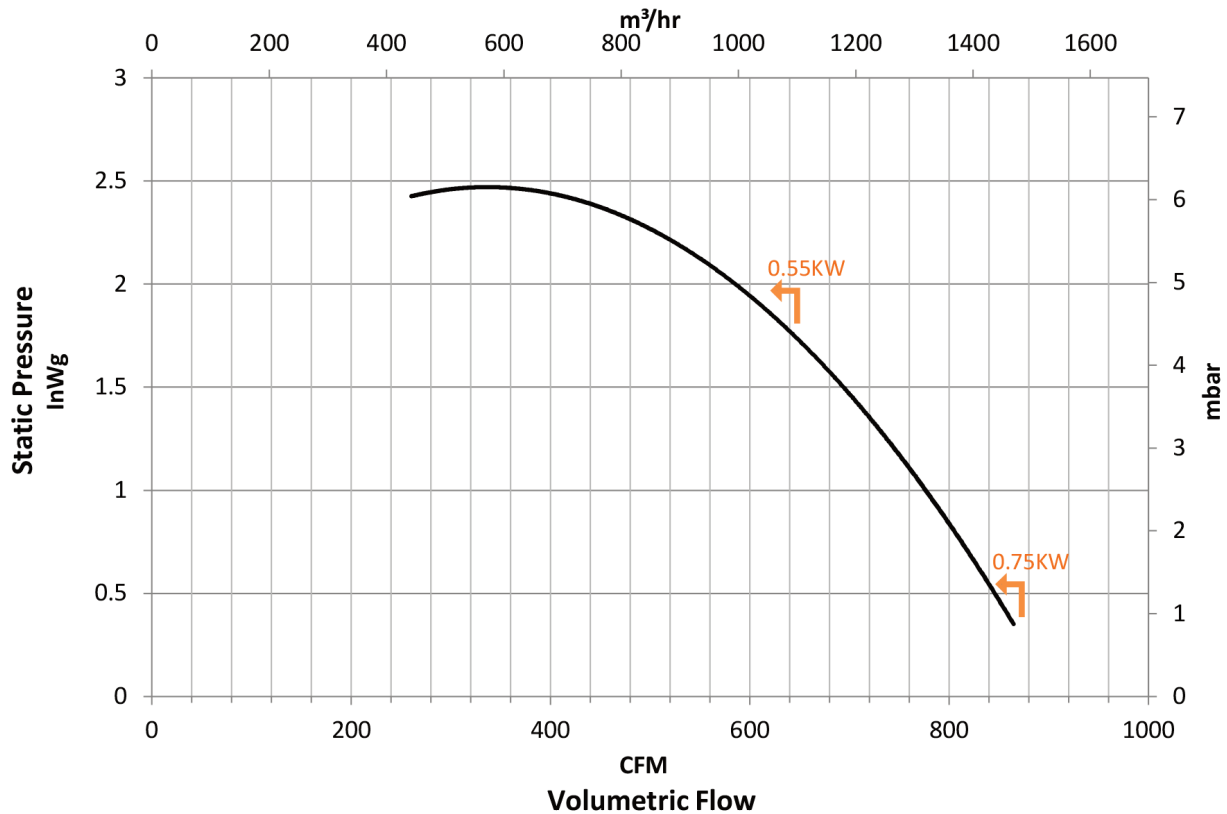


[Please note - image above may not be representative of the unit supplied]

Motor type:	Standard motors are IP54 or IP55. More available on request
Nominal supply:	220/240V or 115V, 1Ph, 50/60Hz Others available on request
Materials & Finishes:	Sheet steel and powder coated (standard finish in black) Options include Stainless Steel (304 or 316); Aluminum - unpainted or powder coated
Motor variations:	ATEX, CE, CSA, UL available on request
Noise levels (max):	87.5dB(A) Free Air, 1M

Performance Curves:

HFM-160/62



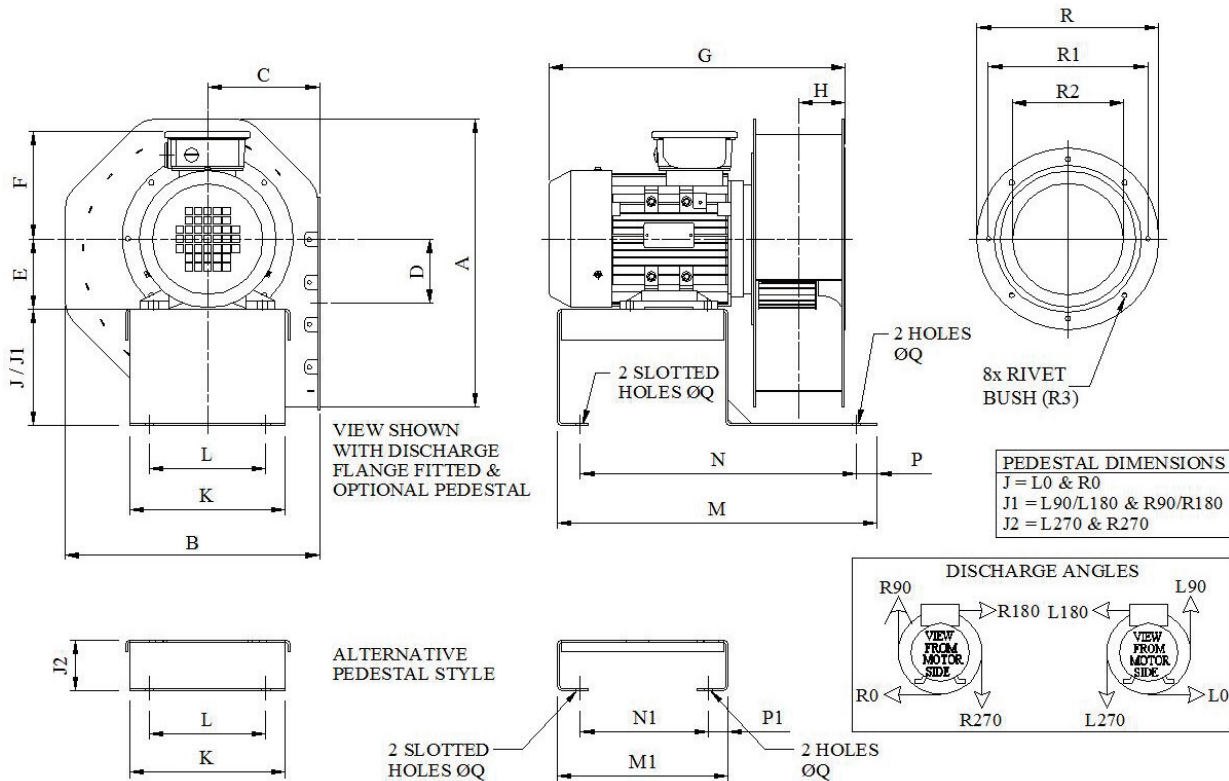
HFM 160/62

Single Inlet Centrifugal Fan (2 pole)

Outline Drawing:

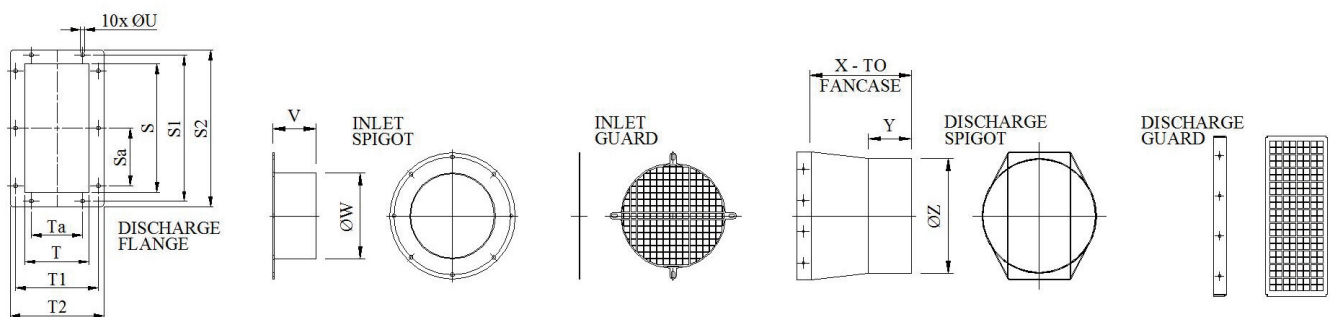
		FAN								OPTIONAL PEDESTAL										INLET				WEIGHT		
Model	Power (kW)	A	B	C	D	E	F	G	H	J	J1	J2	K	L	M	M1	N	N1	P	P1	ØQ	R	R1	R2	R3	(KG)
HFM-160/62	0.55	335	297	131	73	71	133	323	53	150	115	65	200	150	412	220	355	165	27	25	11	205	190	127	M6	11.2
	0.75					80	133	358																		14.5

[Note - Dimensions 'F' & 'G' may vary depending on motor style. Weights specified are for standard units with no accessories attached.]



Accessories:

Model	DISCHARGE FLANGE								INLET SPIGOT		DISCHARGE SPIGOT			
	S	S1	S2	Sa	T	T1	T2	Ta	ØU	V	ØW	X	Y	ØZ
HFM-160/62	200	220	240	90	100	125	142	80	7	50	125	153	75	150



Please note(1) - all drawing measurements are millimetres
 Please note(2) - above technical specifications maybe subject to change
 Please note(3) - image of fan may not be representative of the unit supplied

HFM 180/74

Single Inlet Centrifugal Fan (2 pole)

General Characteristics:

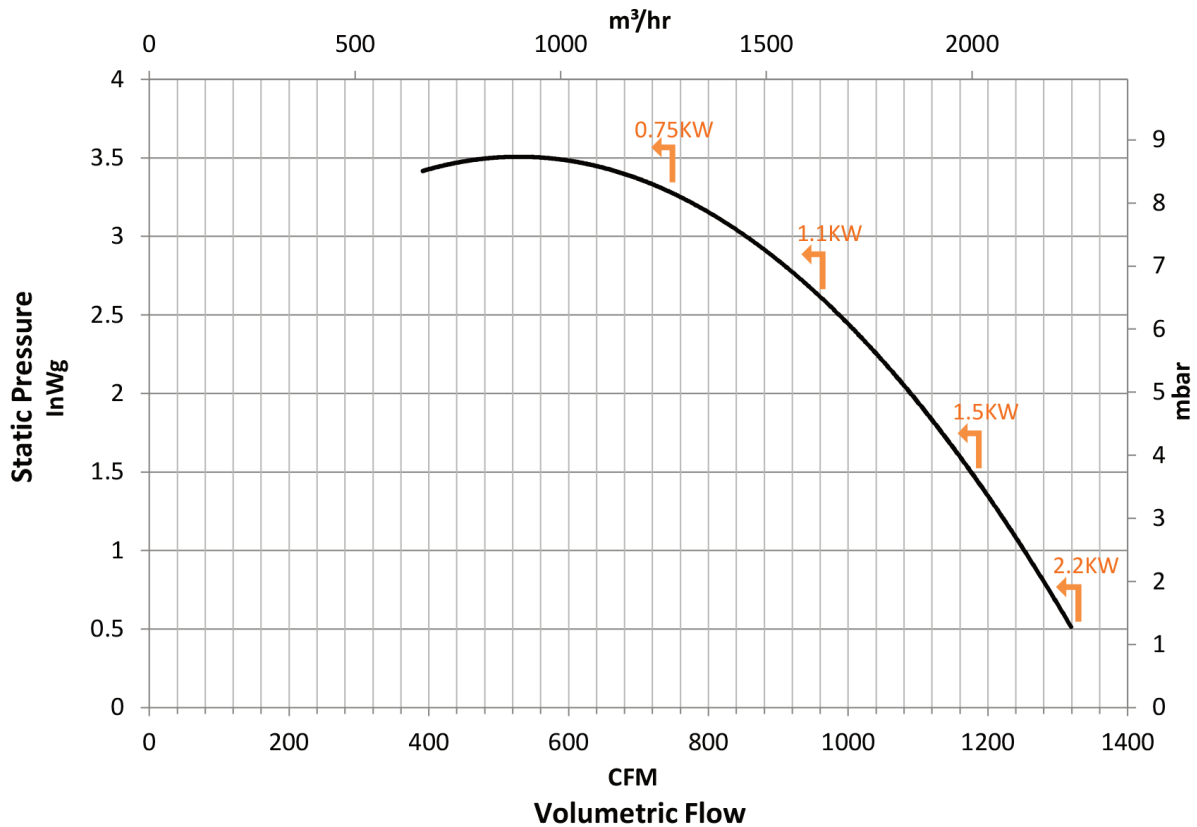


[Please note - image above may not be representative of the unit supplied]

Motor type:	Standard motors are IP54 or IP55. More available on request
Nominal supply:	220/240V or 115V, 1Ph, 50/60Hz Others available on request
Materials & Finishes:	Sheet steel and powder coated (standard finish in black) Options include Stainless Steel (304 or 316); Aluminum - unpainted or powder coated
Motor variations:	ATEX, CE, CSA, UL available on request
Noise levels (max):	93dB(A) Free Air, 1M

Performance Curves:

HFM-180/74



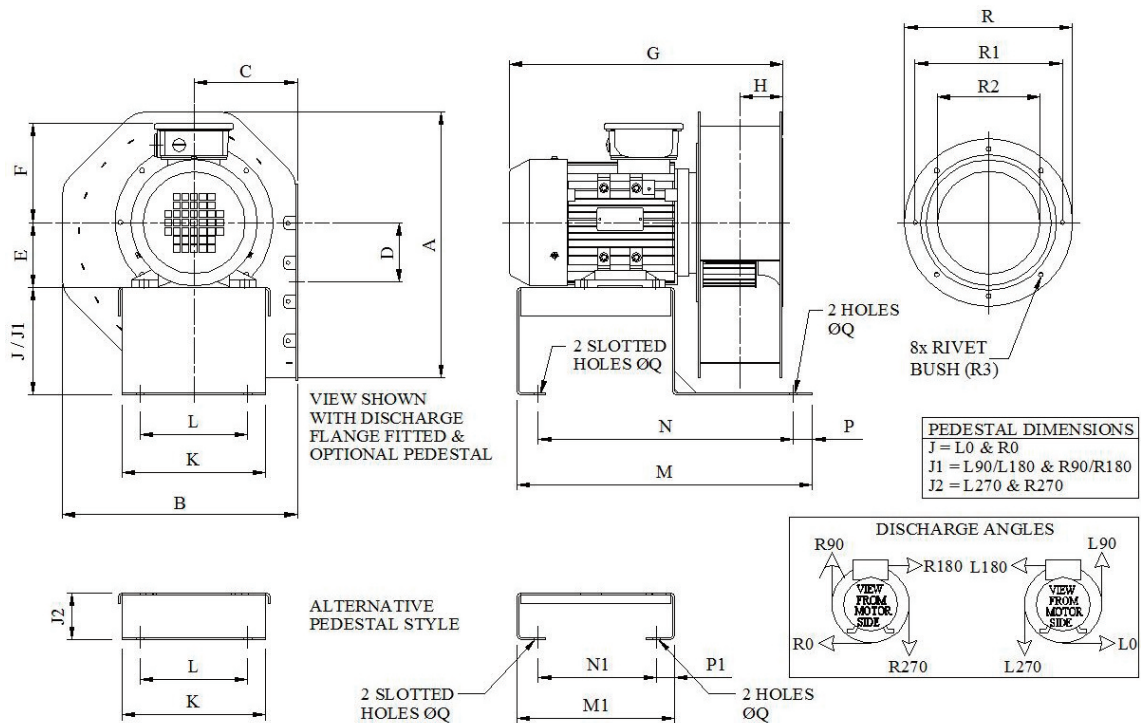
HFM 180/74

Single Inlet Centrifugal Fan (2 pole)

Outline Drawing:

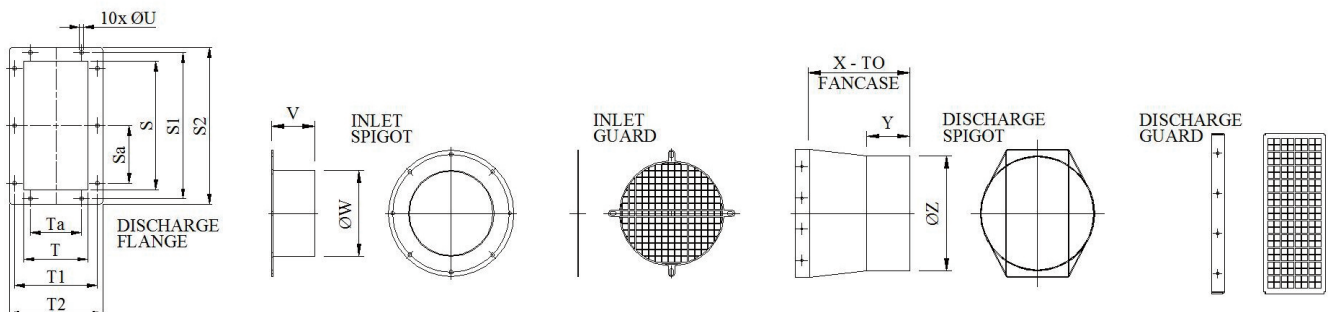
		FAN								OPTIONAL PEDESTAL										INLET				WEIGHT		
Model	Power (kW)	A	B	C	D	E	F	G	H	J	J1	J2	K	L	M	M1	N	N1	P	P1	ØQ	R	R1	R2	R3	(KG)
HFM-180/74	0.75	370	327	144	83	80	133	371	59	150	115	65	200	150	412	220	355	165	27	25	11	234	205	143	M6	15.7
	1.1					90	143	397																		16.7
	1.5					90	143	422																		22.2
	2.2					90	143	422																		26.2

[Note - Dimensions 'F' & 'G' may vary depending on motor style. Weights specified are for standard units with no accessories attached.]



Accessories:

Model	DISCHARGE FLANGE								INLET SPIGOT		DISCHARGE SPIGOT			
	S	S1	S2	Sa	T	T1	T2	Ta	ØU	V	ØW	X	Y	ØZ
HFM-180/74	224	255	274	100	112	145	164	90	7	75	150	178	75	200

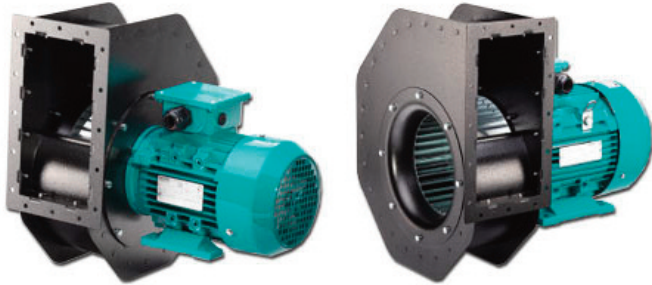


Please note(1) - all drawing measurements are millimetres
 Please note(2) - above technical specifications maybe subject to change
 Please note(3) - image of fan may not be representative of the unit supplied

HFM 200/82

Single Inlet Centrifugal Fan (2 pole)

General Characteristics:

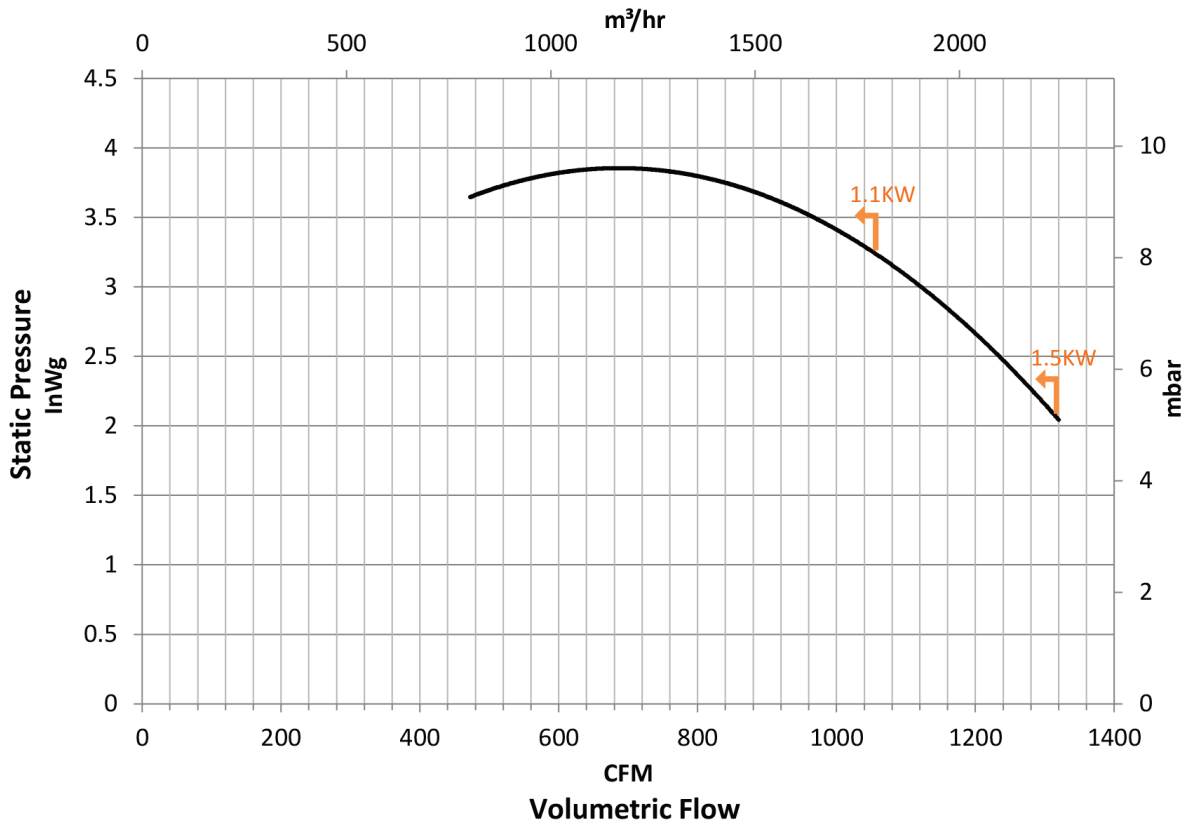


[Please note - image above may not be representative of the unit supplied]

Motor type:	Standard motors are IP54 or IP55. More available on request
Nominal supply:	220/240V or 115V, 1Ph, 50/60Hz Others available on request
Materials & Finishes:	Sheet steel and powder coated (standard finish in black) Options include Stainless Steel (304 or 316); Aluminum - unpainted or powder coated
Motor variations:	ATEX, CE, CSA, UL available on request
Noise levels (max):	89dB(A) Free Air, 1M

Performance Curves:

HFM-200/82



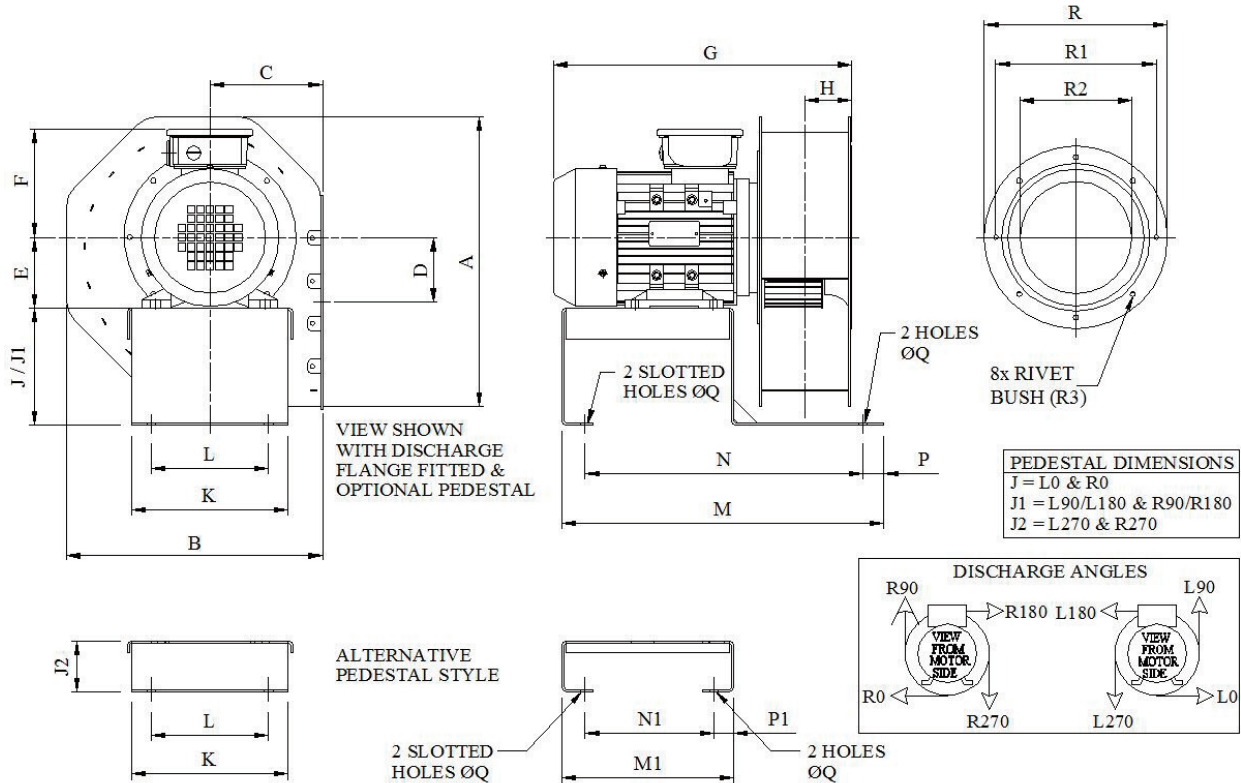
HFM 200/82

Single Inlet Centrifugal Fan (2 pole)

Outline Drawing:

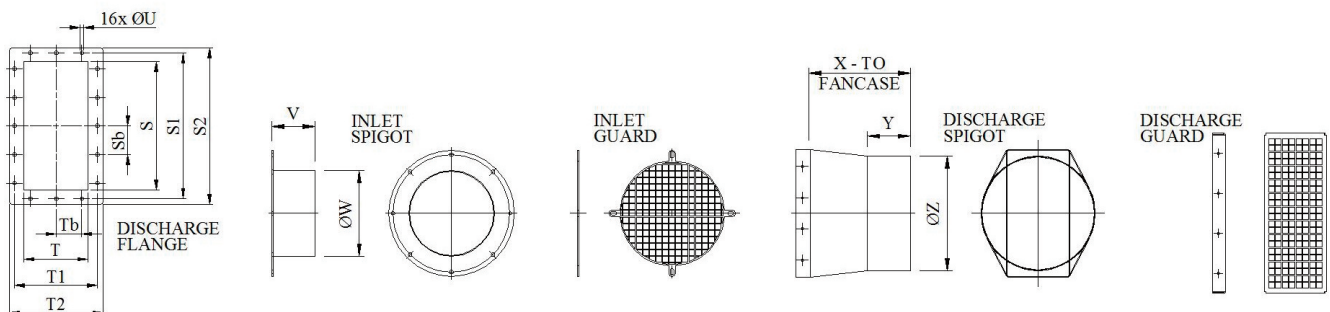
Model	Power (kW)	FAN								OPTIONAL PEDESTAL										INLET				WEIGHT (KG)		
		A	B	C	D	E	F	G	H	J	J1	J2	K	L	M	M1	N	N1	P	P1	ØQ	R	R1		R2	R3
HFM-200/82	1.1	407	356	157	92	80	133	385	66	195	145	84	260	200	522	300	470	250	27	25	13	245	232	161	M6	18.9
	1.5					90	143	410																		24.4

[Note - Dimensions 'F' & 'G' may vary depending on motor style. Weights specified are for standard units with no accessories attached.]



Accessories:

Model	DISCHARGE FLANGE								INLET SPIGOT		DISCHARGE SPIGOT			
	S	S1	S2	Sb	T	T1	T2	Tb	ØU	V	ØW	X	Y	ØZ
HFM-200/82	250	280	300	60	125	155	177	50	7	75	200	178	75	200



Please note(1) - all drawing measurements are millimetres
 Please note(2) - above technical specifications maybe subject to change
 Please note(3) - image of fan may not be representative of the unit supplied

HFM 225/92

Single Inlet Centrifugal Fan (2 pole)

General Characteristics:

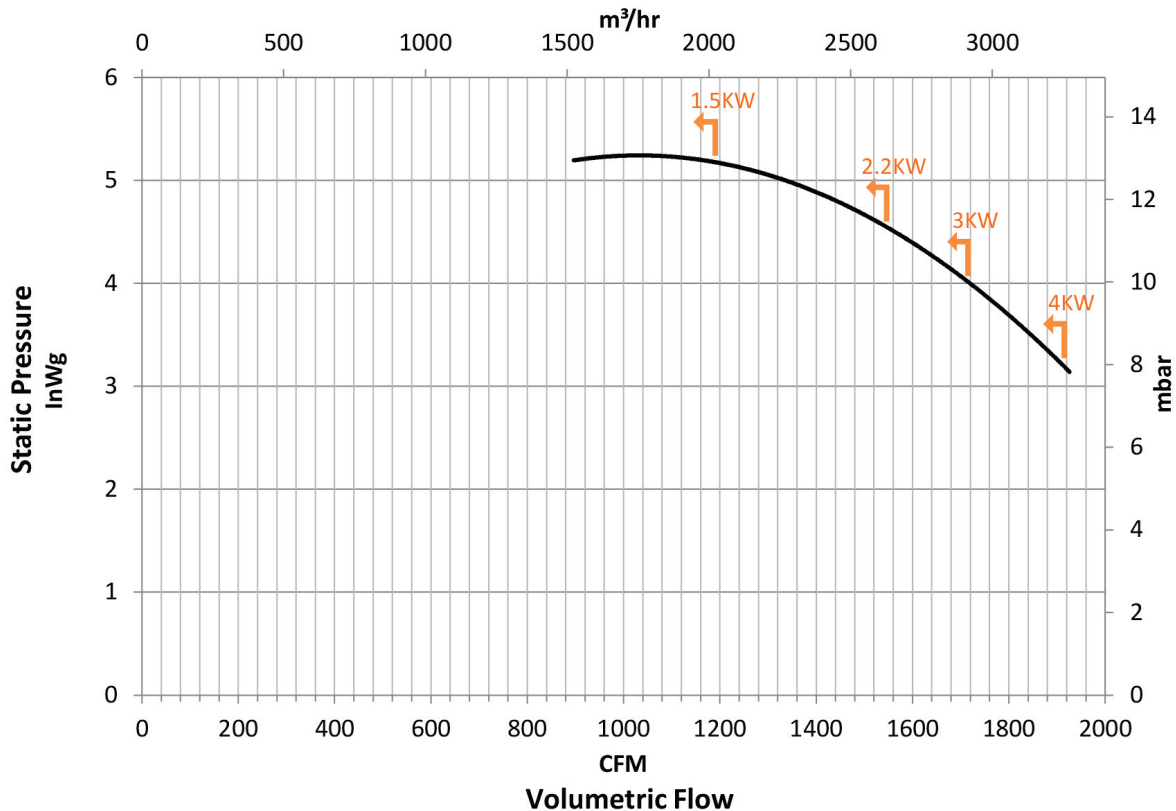


[Please note - image above may not be representative of the unit supplied]

Motor type:	Standard motors are IP54 or IP55. More available on request
Nominal supply:	220/240V or 115V, 1Ph, 50/60Hz Others available on request
Materials & Finishes:	Sheet steel and powder coated (standard finish in black) Options include Stainless Steel (304 or 316); Aluminum - unpainted or powder coated
Motor variations:	ATEX, CE, CSA, UL available on request
Noise levels (max):	86dB(A) Free Air, 1M

Performance Curves:

HFM-225/92



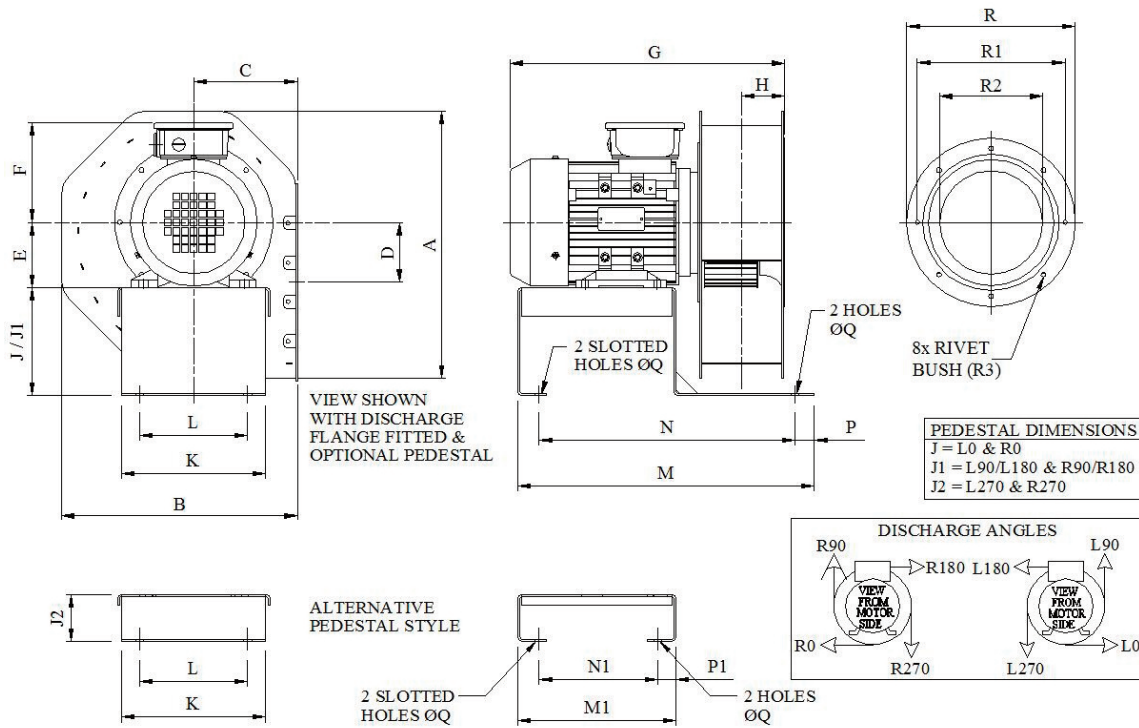
HFM 225/92

Single Inlet Centrifugal Fan (2 pole)

Outline Drawing:

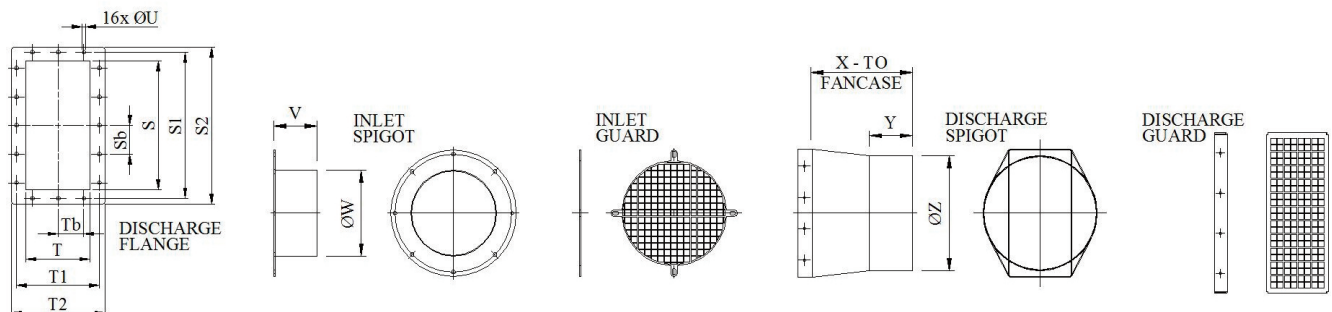
		FAN								OPTIONAL PEDESTAL										INLET				WEIGHT		
Model	Power (kW)	A	B	C	D	E	F	G	H	J	J1	J2	K	L	M	M1	N	N1	P	P1	ØQ	R	R1	R2	R3	(KG)
HFM-225/92	1.5	462	399	173	109	90	143	425	73	195	145	84	260	200	522	300	470	250	27	25	13	280	255	180	M6	26.4
	2.2					450	30.4																			
	3.0					100 160 488	35.9																			
	4.0					112 169 500	32.2																			

[Note - Dimensions 'F' & 'G' may vary depending on motor style. Weights specified are for standard units with no accessories attached.]



Accessories:

Model	DISCHARGE FLANGE								INLET SPIGOT		DISCHARGE SPIGOT			
	S	S1	S2	Sb	T	T1	T2	Tb	ØU	V	ØW	X	Y	ØZ
HFM-225/92	280	310	330	65	140	170	192	60	7	75	200	203	100	225



Please note(1) - all drawing measurements are millimetres
 Please note(2) - above technical specifications maybe subject to change
 Please note(3) - image of fan may not be representative of the unit supplied

HFM 250/102

Single Inlet Centrifugal Fan (2 pole)

General Characteristics:

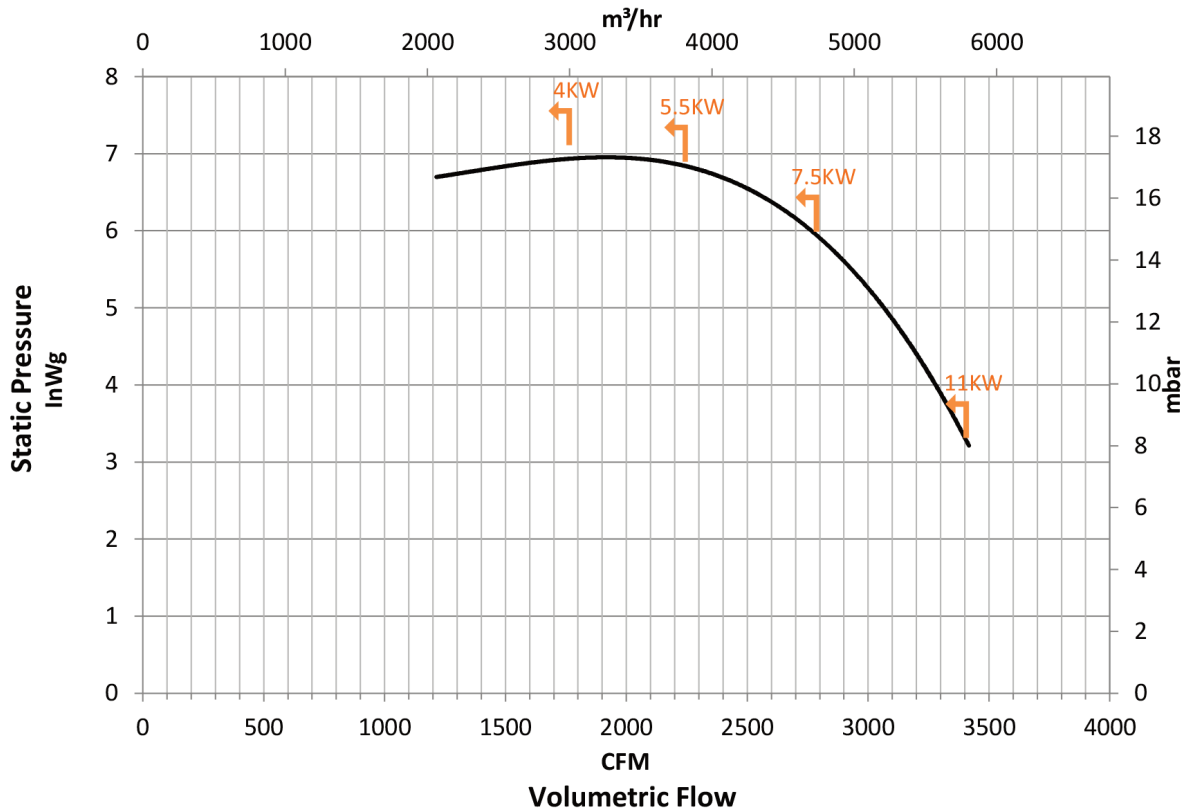


[Please note - image above may not be representative of the unit supplied]

Motor type:	Standard motors are IP54 or IP55. More available on request
Nominal supply:	220/240V or 115V, 1Ph, 50/60Hz Others available on request
Materials & Finishes:	Sheet steel and powder coated (standard finish in black) Options include Stainless Steel (304 or 316); Aluminum - unpainted or powder coated
Motor variations:	ATEX, CE, CSA, UL available on request
Noise levels (max):	92dB(A) Free Air, 1M

Performance Curves:

HFM-250/102



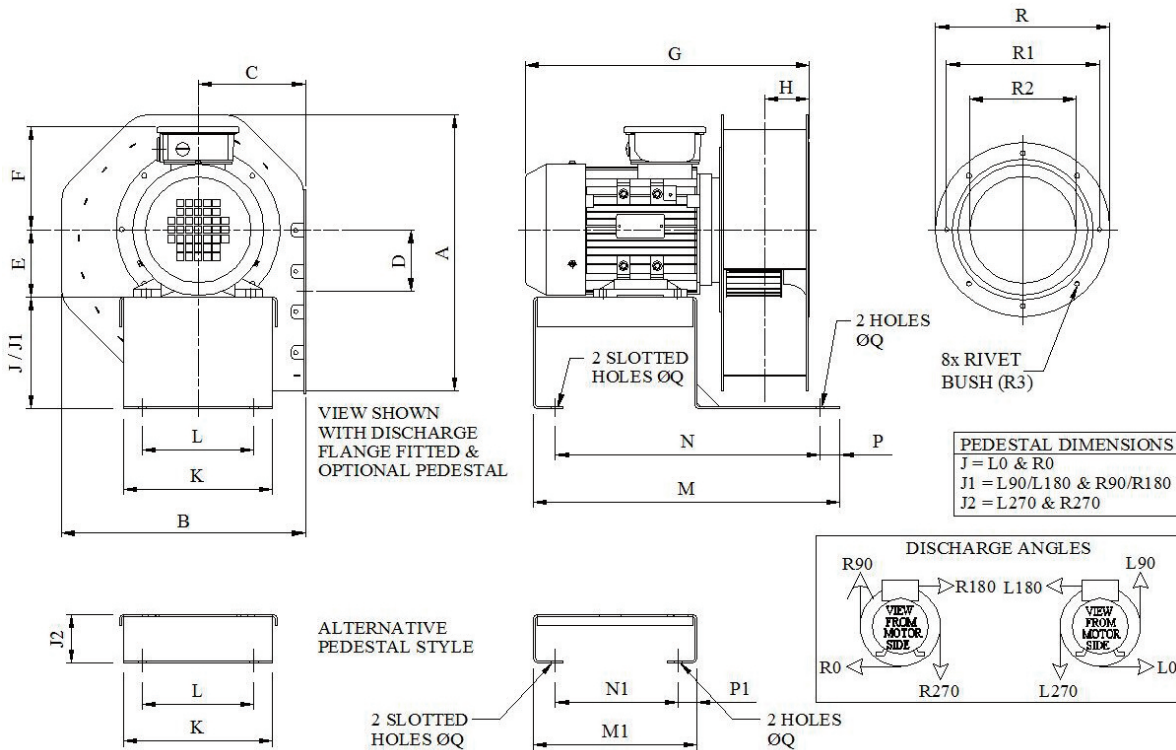
HFM 250/102

Single Inlet Centrifugal Fan (2 pole)

Outline Drawing:

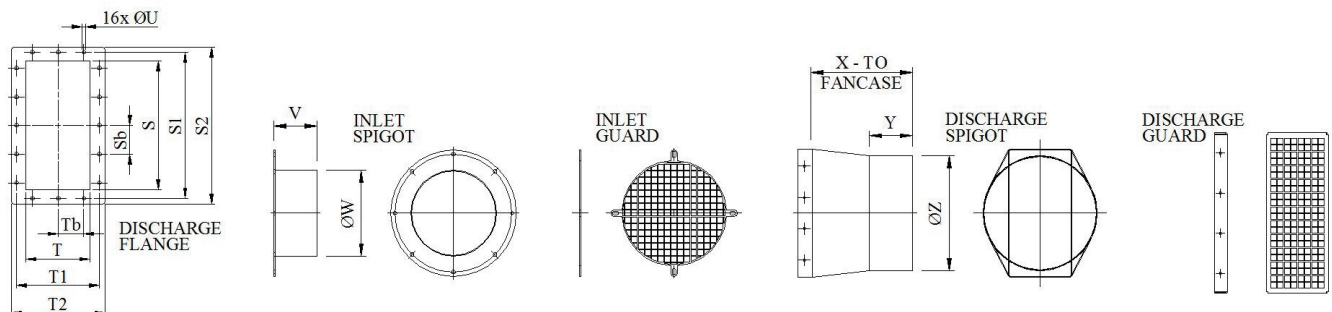
Model	Power (kW)	FAN								OPTIONAL PEDESTAL										INLET				WEIGHT (KG)		
		A	B	C	D	E	F	G	H	J	J1	J2	K	L	M	M1	N	N1	P	P1	ØQ	R	R1		R2	R3
HFM-250/102	4.0	508	437	188	113	112	169	520	83	210	155	89	330	280	662	385	610	335	27	25	13	306	290	203	M8	41.0
	5.5					132	188	566																		54.1
	7.5					132	188	604																		59.6
	11.0					132	194	573																		69.6

[Note - Dimensions 'F' & 'G' may vary depending on motor style. Weights specified are for standard units with no accessories attached.]



Accessories:

Model	DISCHARGE FLANGE								INLET SPIGOT			DISCHARGE SPIGOT		
	S	S1	S2	Sb	T	T1	T2	Tb	ØU	V	ØW	X	Y	ØZ
HFM-250/102	315	350	375	75	160	195	222	70	9	75	200	203	100	250

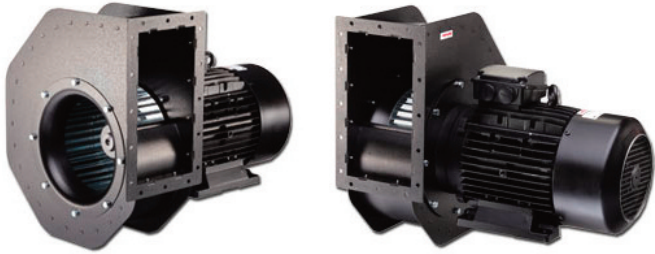


Please note(1) - all drawing measurements are millimetres
 Please note(2) - above technical specifications maybe subject to change
 Please note(3) - image of fan may not be representative of the unit supplied

HFM 280/116

Single Inlet Centrifugal Fan (2 pole)

General Characteristics:

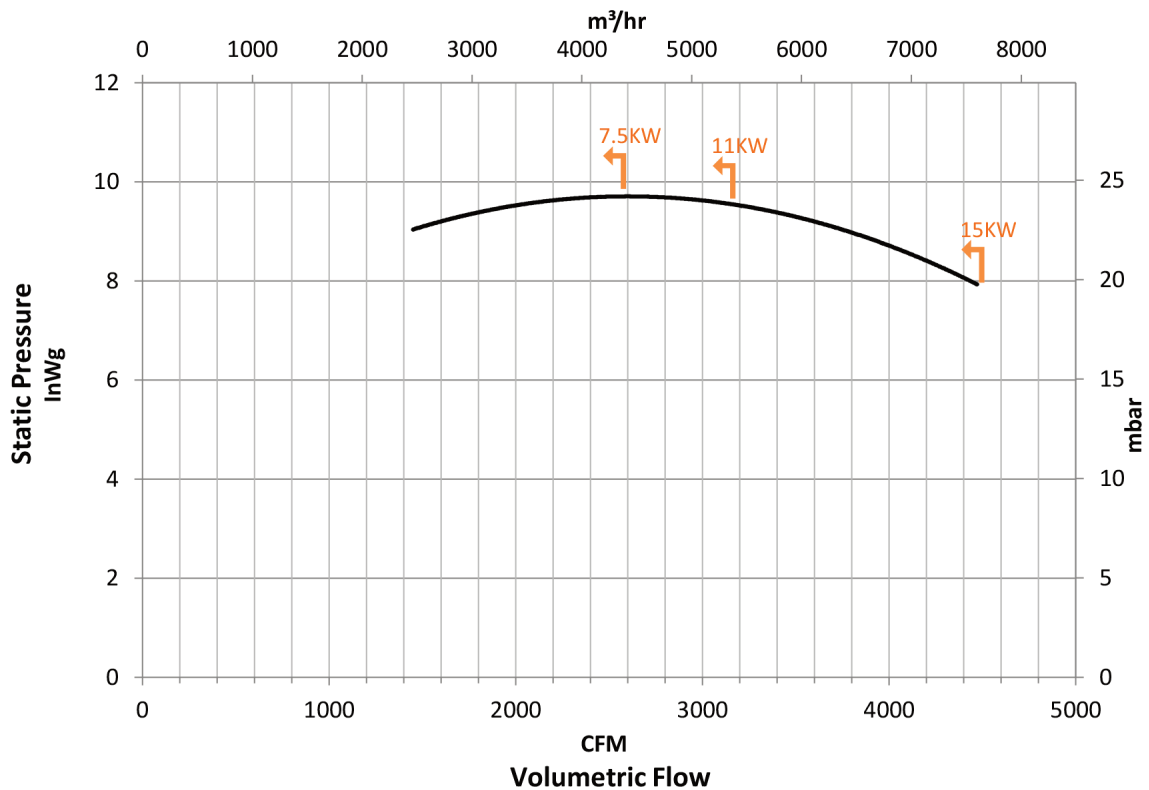


[Please note - image above may not be representative of the unit supplied]

Motor type:	Standard motors are IP54 or IP55. More available on request
Nominal supply:	220/240V or 115V, 1Ph, 50/60Hz Others available on request
Materials & Finishes:	Sheet steel and powder coated (standard finish in black) Options include Stainless Steel (304 or 316); Aluminum - unpainted or powder coated
Motor variations:	ATEX, CE, CSA, UL available on request
Noise levels (max):	97dB(A) Free Air, 1M

Performance Curves:

HFM-280/116



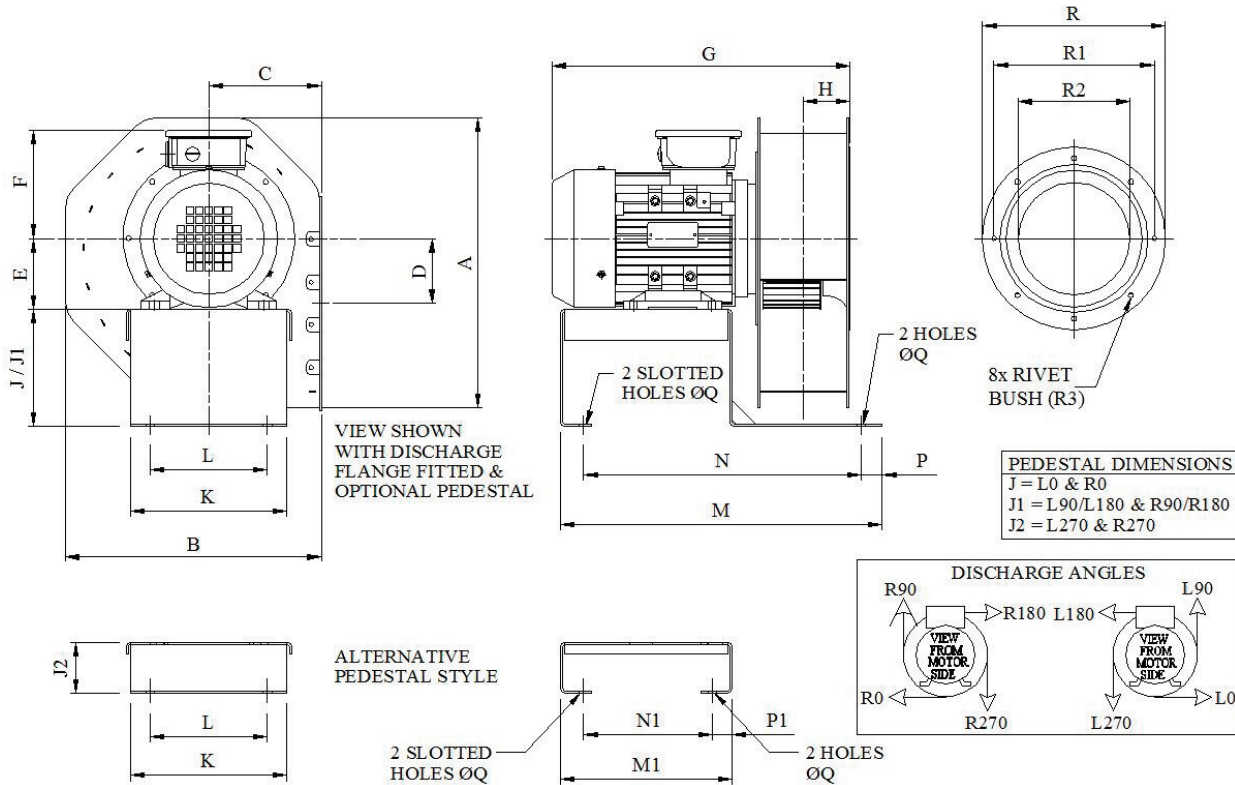
HFM 280/116

Single Inlet Centrifugal Fan (2 pole)

Outline Drawing:

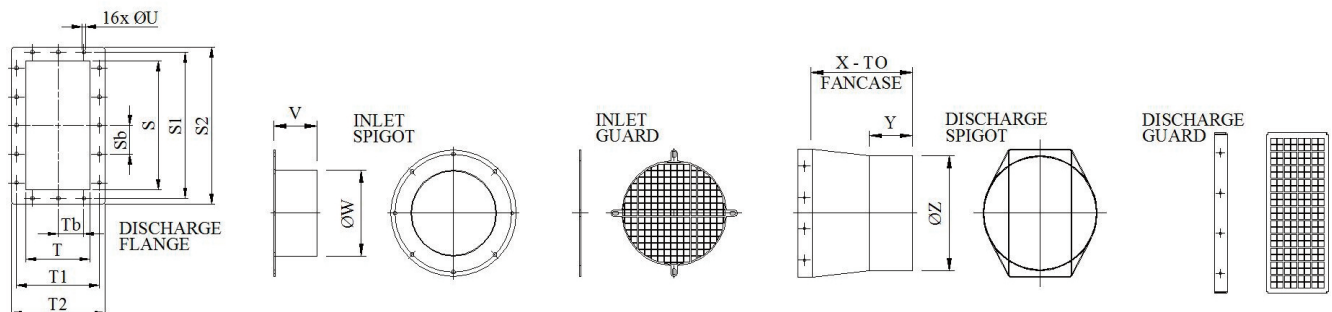
		FAN								OPTIONAL PEDESTAL										INLET				WEIGHT		
Model	Power (kW)	A	B	C	D	E	F	G	H	J	J1	J2	K	L	M	M1	N	N1	P	P1	ØQ	R	R1	R2	R3	(KG)
HFM-280/116	7.5						188	624																		61.2
	11.0	562	482	207	126	132	194	593	87	210	155	89	330	280	662	385	610	335	27	25	13	348	320	228	M8	71.2
	15.0						194	611																		74.2

[Note - Dimensions 'F' & 'G' may vary depending on motor style. Weights specified are for standard units with no accessories attached.]



Accessories:

Model	DISCHARGE FLANGE								INLET SPIGOT		DISCHARGE SPIGOT			
	S	S1	S2	Sb	T	T1	T2	Tb	ØU	V	ØW	X	Y	ØZ
HFM-280/116	355	385	415	85	180	215	242	80	9	100	250	253	100	300

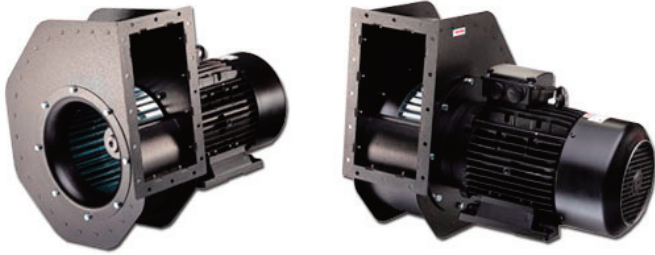


Please note(1) - all drawing measurements are millimetres
 Please note(2) - above technical specifications maybe subject to change
 Please note(3) - image of fan may not be representative of the unit supplied

HFM 315/128

Single Inlet Centrifugal Fan (2 pole)

General Characteristics:

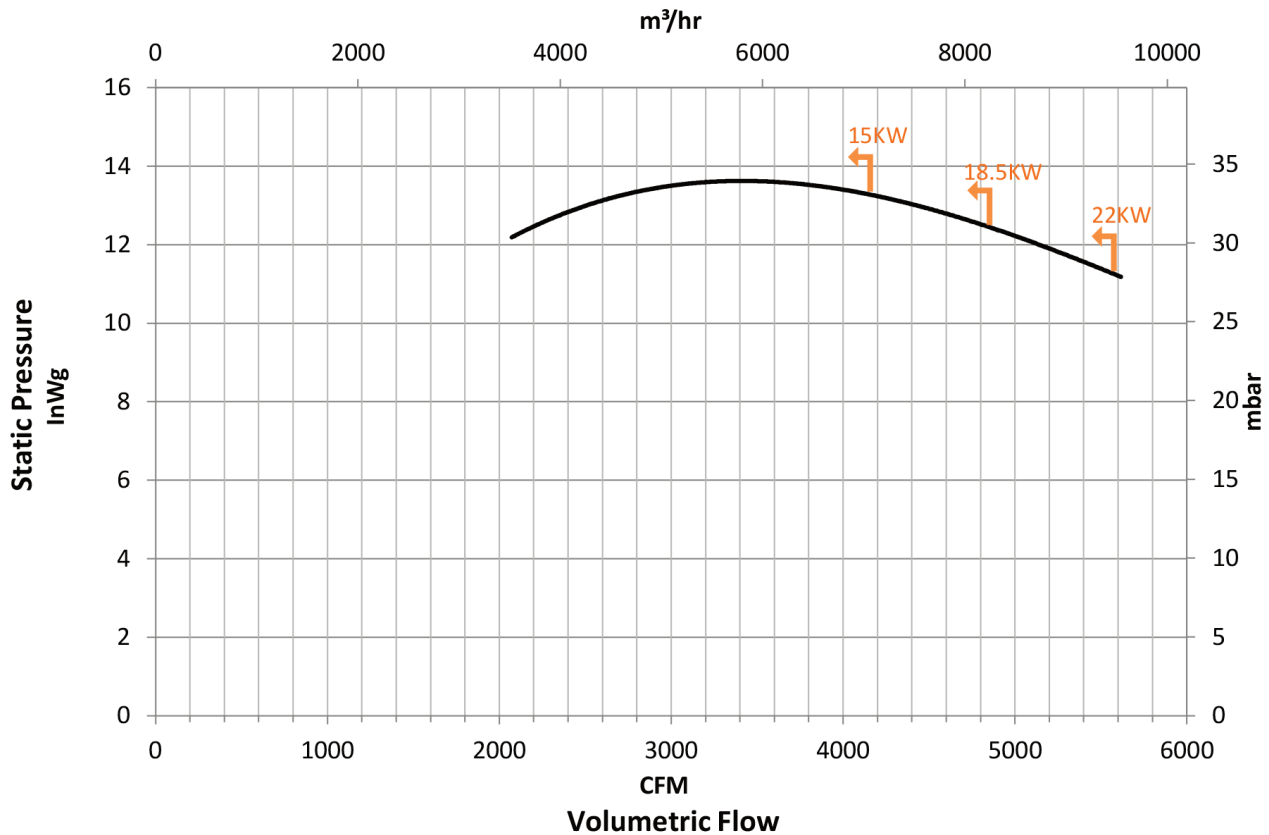


[Please note - image above may not be representative of the unit supplied]

Motor type:	Standard motors are IP54 or IP55. More available on request
Nominal supply:	220/240V or 115V, 1Ph, 50/60Hz Others available on request
Materials & Finishes:	Sheet steel and powder coated (standard finish in black) Options include Stainless Steel (304 or 316); Aluminum - unpainted or powder coated
Motor variations:	ATEX, CE, CSA, UL available on request
Noise levels (max):	98dB(A) Free Air, 1M

Performance Curves:

HFM-315/128



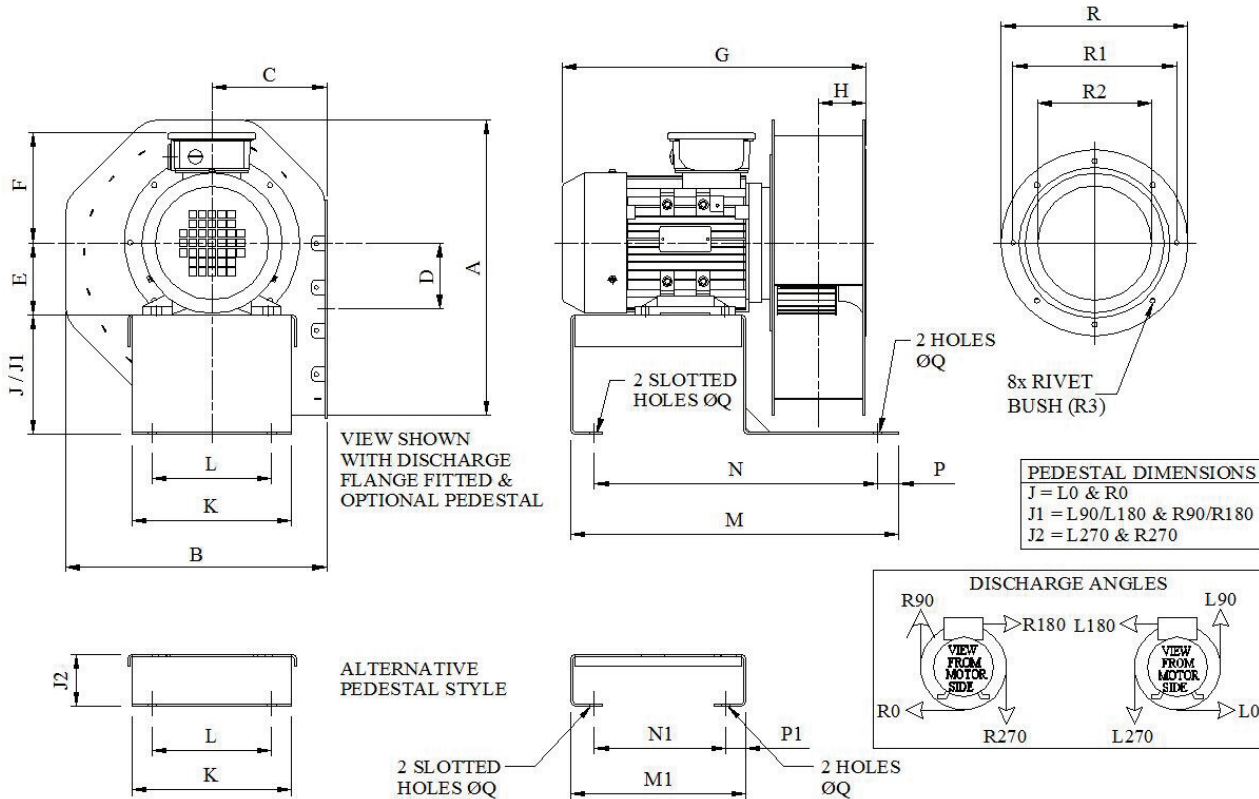
HFM 315/128

Single Inlet Centrifugal Fan (2 pole)

Outline Drawing:

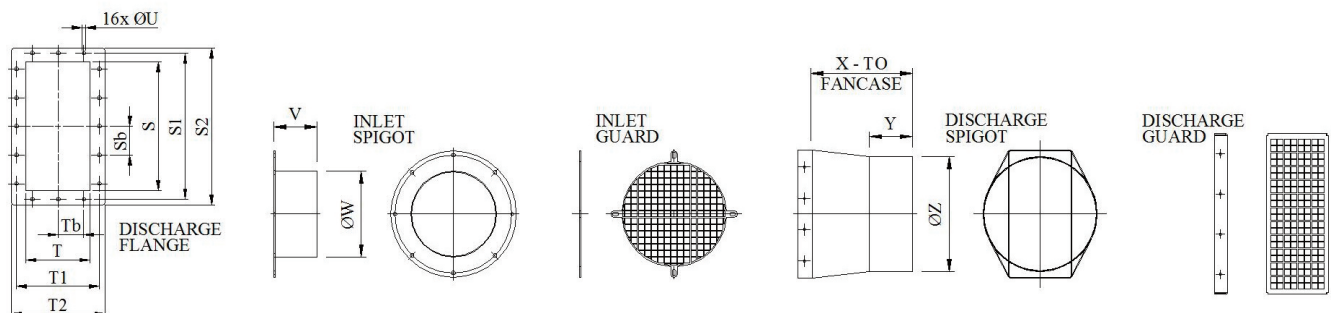
Model	Power (kW)	FAN								OPTIONAL PEDESTAL										INLET				WEIGHT (KG)			
		A	B	C	D	E	F	G	H	J	J1	J2	K	L	M	M1	N	N1	P	P1	ØQ	R	R1		R2	R3	
HFM-315/128	15.0					132	194	631																			77.4
	18.5	625	537	229	141	160	242	755	91	250	185	98	330	280	682	375	630	325	27	25	13	382	365	257	M8	123.5	
	22.0					180	270	740																			188.5

[Note - Dimensions 'F' & 'G' may vary depending on motor style. Weights specified are for standard units with no accessories attached.]



Accessories:

Model	DISCHARGE FLANGE								INLET SPIGOT		DISCHARGE SPIGOT			
	S	S1	S2	Sb	T	T1	T2	Tb	ØU	V	ØW	X	Y	ØZ
HFM-315/128	400	435	460	90	175	210	237	80	9	100	250	253	100	300



Please note(1) - all drawing measurements are millimetres
 Please note(2) - above technical specifications may be subject to change
 Please note(3) - image of fan may not be representative of the unit supplied