

Multi Stage Fans

A range of direct-drive units offering quiet running and maintenance-free solutions for many higher pressure applications



Direct mounting of the impellers and low motor speeds deliver high-pressure performance with minimal noise levels. The modular construction of this range offers a wide choice of performance characteristics and power supply requirements, including DC or 400Hz, and ATEX hazardous area versions.

Key Performance Figures:

- Flow rates up to 850m³/hr (500cfm)
- Pressures up to 160mBar (64In.Swg)
- 0.05kW (0.067HP) to 3kW (4HP)
- Low noise levels
- Reliable, maintenance-free operation

Typical Applications:

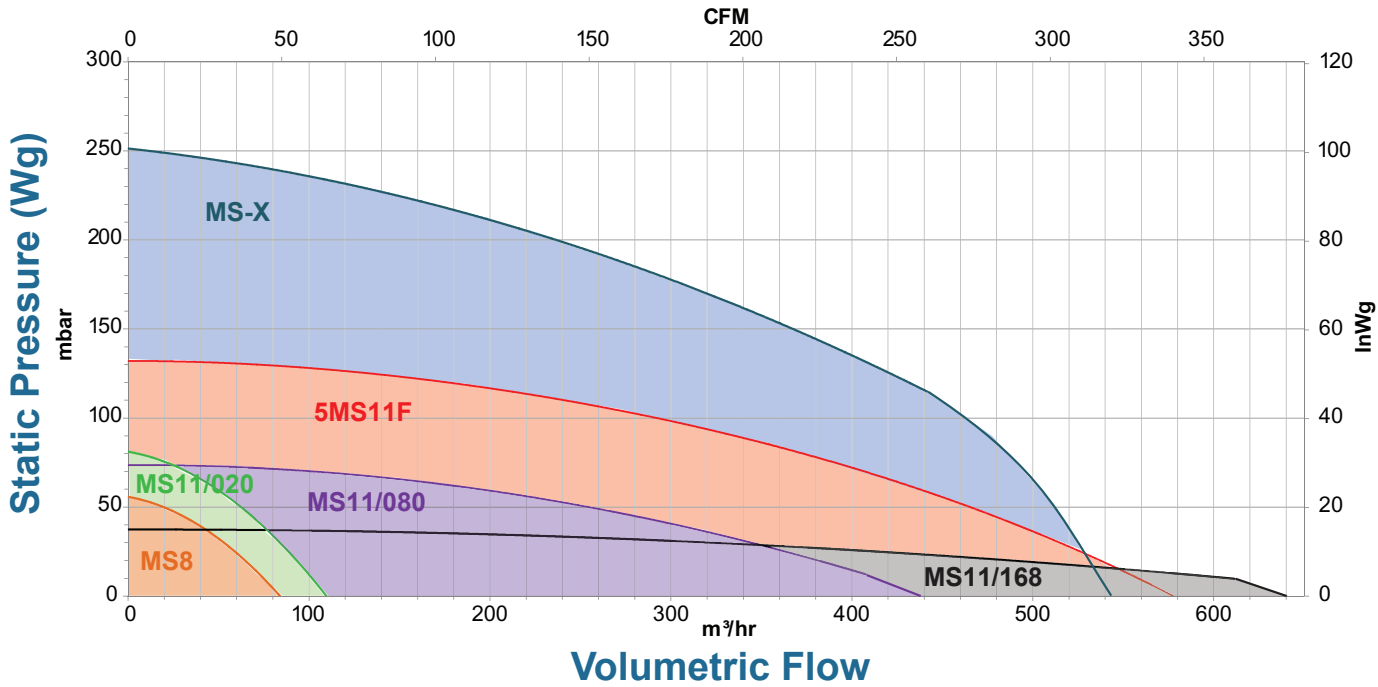
- Gas meter testing
- Screen print vacuum tables
- Fish tank aeration
- Glove box extraction systems
- Organ blowers
- Inflatable structures

Multi Stage Fans

A range of direct-drive units offering quiet running and maintenance-free solutions for many higher pressure applications

50Hz Performance Curves:

The illustrated curves are for 240V 1Ph 50Hz and for selection purposes only. For full performance details please refer to the specific data sheets.



All ACI Multi Stage blowers have a series of dynamically balanced impellers directly driven by the motor through an extended shaft. Varying air flow performances can be offered by simply changing the number of impellers. These blowers also have the advantage over side channel blowers of running with inlets and discharges blanked without the risk of motor damage.

Air Control Industries Ltd
 Weycroft Avenue, Millwey Rise Industrial Estate,
 Axminster, Devon, EX13 5HU, United Kingdom
 Tel: +44(0)1297 529242 Fax: +44(0)1297 529241
 Email: sales@aircontrolindustries.com

www.aircontrolindustries.com

Multi Stage MS8

Backward Curved, Single Inlet Centrifugal Fans

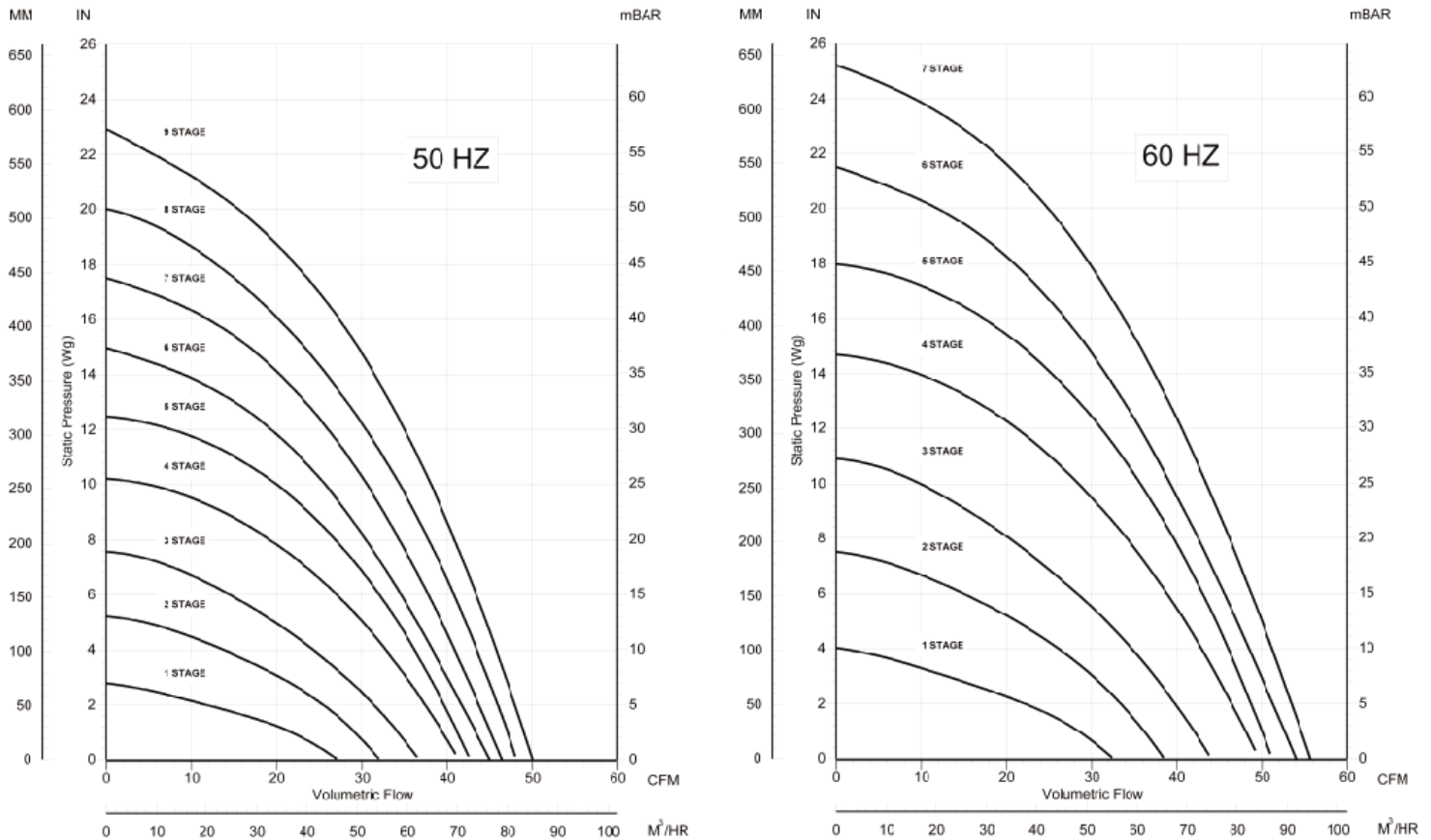
General Characteristics:



[Please note - images above may not be representative of the unit supplied]

Motor type:	Induction type, 1Ph, capacitor start and run		
Nominal Supply:	Volts	Ph	Hz
	100	1	50/60
	115	1	50/60
	115	1	400
	110-120	1	60
	220-240	1	50
	380	3	70
	380-480	3	50/60
	(380-420/220-240	3	50/60
	440-480/250-280)		
220-250/380-400	3	50	
Options:	Inlet and discharge guards, Sockets (BSP fittings), Inlet spigots, Hose, Adaptors, Filtered inlets, Speed controllers		
Materials:	Inlets & Fanscrolls: White polyester resin Impellers: Aluminium 1200 H14 Stators: White polyester resin		
Bearings:	Ball type, lubricated for life		
Mounting options:	Build-in- type / with feet / floor-stand		
Noise levels:	82dB(A) Free Air, 1M		

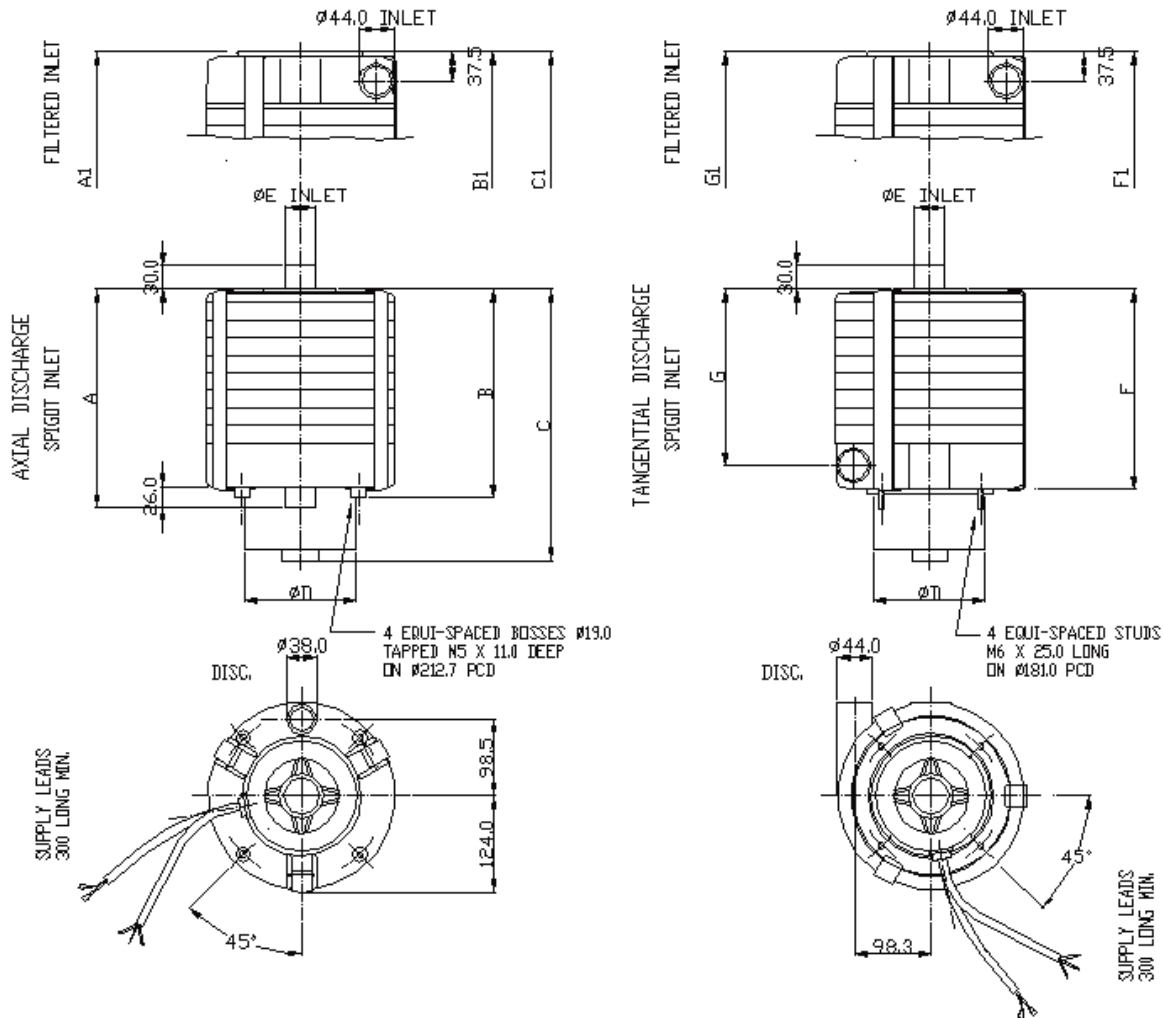
Performance Details:



Multi Stage MS8

Backward Curved, Single Inlet Centrifugal Fans

Outline Dimension details (build in type):



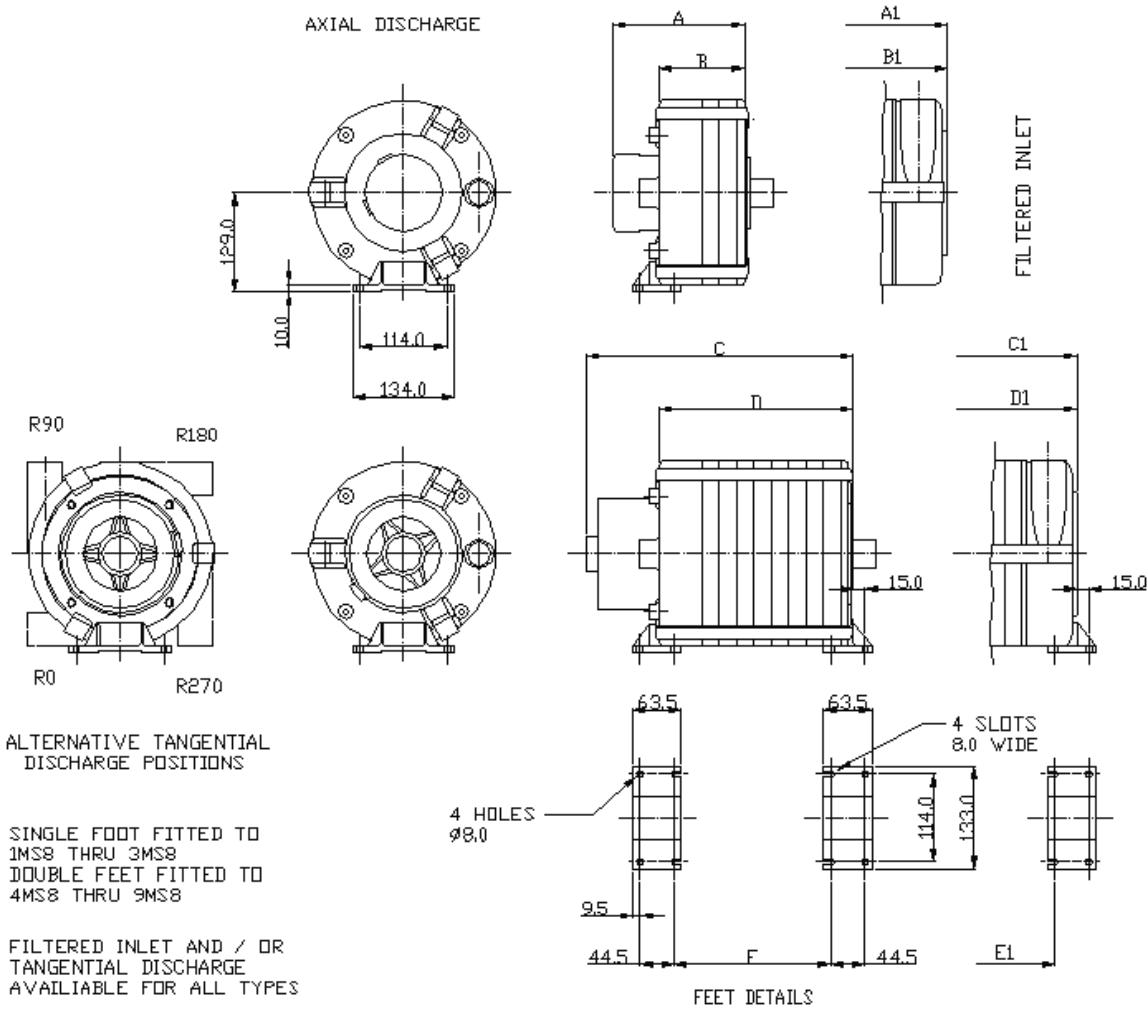
	A	A1	B	B1	C	C1	D	E	F	F1	G	G1
1MS8	99.5	155	86.5	142	132.5	188	98	$\varnothing 44/\varnothing 38/\varnothing 32$	77	132.5	46	101.5
2MS8	122	177.5	109	164.5	150	205.5	100	$\varnothing 44/\varnothing 38/\varnothing 32$	99.5	155	68.5	124
3MS8	145	200.5	132	187.5	179	234.5	100	$\varnothing 44/\varnothing 38/\varnothing 32$	122	177.5	91	146.5
4MS8	167.5	222.5	154.5	210	209	264.5	100	$\varnothing 44/\varnothing 38/\varnothing 32$	144.5	200	113.5	169
5MS8	190	245.5	177	232.5	249.5	305	100	$\varnothing 44/\varnothing 38/\varnothing 32$	167	222.5	136	191.5
6MS8	212.5	298	200	285.5	282	367.5	144	$\varnothing 44/\varnothing 38/\varnothing 32$	189.5	245	158.5	214
7MS8	235.5	321	222.5	308	305	390.5	144	$\varnothing 44/\varnothing 38/\varnothing 32$	212	267.5	181	236.5
8MS8	258	343.5	245	330.5	327.5	413	144	$\varnothing 44/\varnothing 38/\varnothing 32$	234.5	290	203.5	259
9MS8	280.5	366	267.5	353	350	435.5	144	$\varnothing 44/\varnothing 38/\varnothing 32$	257	312.5	226	281.5

Please note (1) - all drawings measurements are in millimeters (mm)
 Please note (2) - above technical specifications are subject to change

Multi Stage MS8

Backward Curved, Single Inlet Centrifugal Fans

Outline Dimension details (feet mounted):

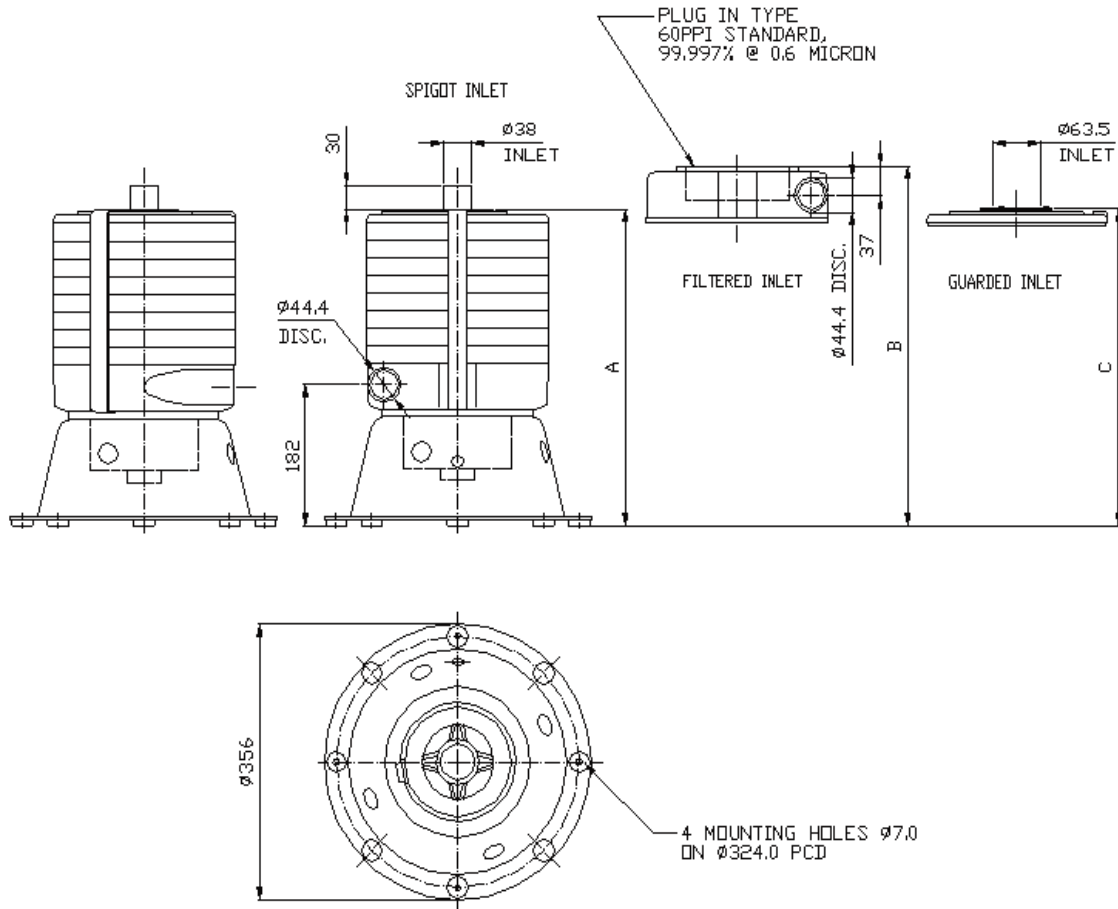


	A	A1	B	B1	C	C1	D	D1	E	E1
1MS8	132.5	188	73	128.5	-	-	-	-	-	-
2MS8	150	205.5	95.5	151	-	-	-	-	-	-
3MS8	179	234.5	118.5	174	-	-	-	-	-	-
4MS8	-	-	-	-	209	264.5	141	196.5	91.5	147
5MS8	-	-	-	-	249.5	305	163.5	219	114	169.5
6MS8	-	-	-	-	282	337.5	186.5	242	136.5	192
7MS8	-	-	-	-	305	360.5	209	264.5	159	214.5
8MS8	-	-	-	-	327.5	383	231.5	287	181.5	237
9MS8	-	-	-	-	350	405.5	254	309.5	204	259.5

Multi Stage MS8

Backward Curved, Single Inlet Centrifugal Fans

Outline Dimension details (floor stand):



	A	B	C
1MS8	227.7	283.1	229.4
2MS8	250.3	305.7	252
3MS8	272.9	328.3	274.6
4MS8	295.5	350.9	297.2
5MS8	318.1	373.5	319.8
6MS8	340.7	396.1	342.4
7MS8	363.3	418.7	365
8MS8	385.9	441.3	387.6
9MS8	408.5	463.9	410.2

Please note (1) - all drawings measurements are in millimeters (mm)
Please note (2) - above technical specifications are subject to change

Multi Stage MS8(dc)

Backward Curved, Single Inlet Centrifugal Fans

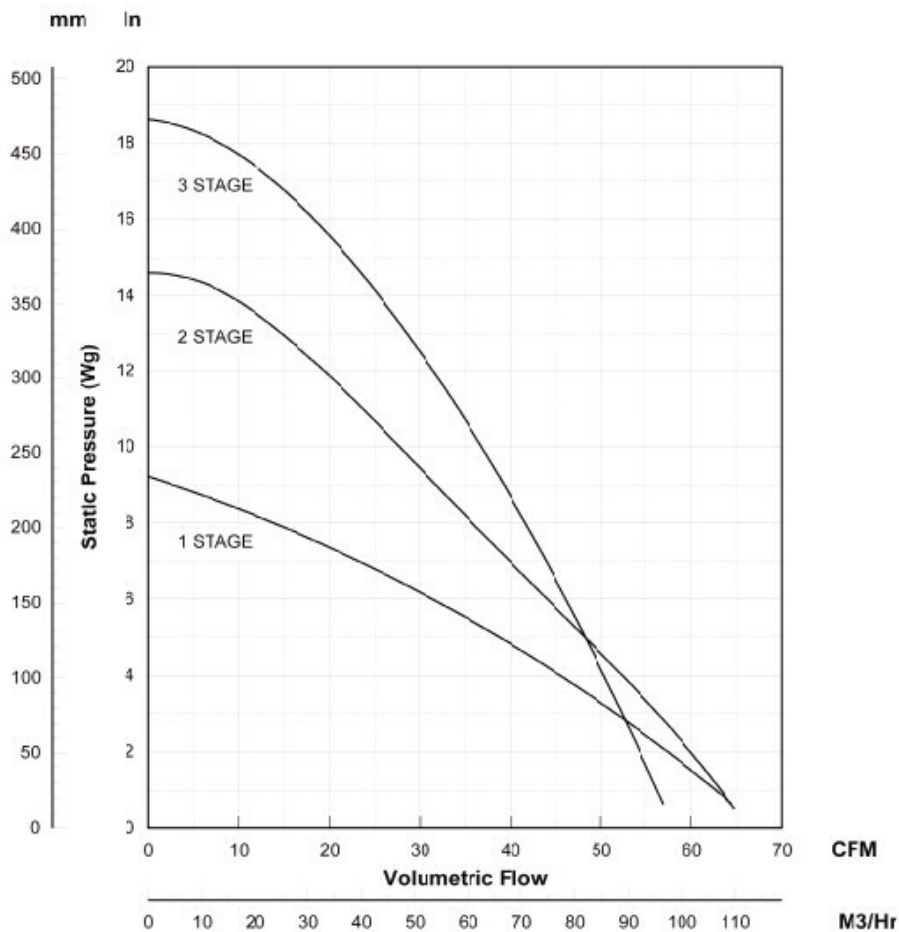
General Characteristics:



[Please note - image above may not be representative of the unit supplied]

Motor type:	24VDC Brushless
Ancillaries:	Inlet and discharge guards, sockets (BSP fittings), inlet spigots, hose, adaptors, filtered inlets, speed controllers
Materials:	Inlets & Fanscrolls: White polyester resin Impellers: Aluminium 1200 H14 Stators: White polyester resin
Bearings:	Ball type, lubricated for life
Mounting options:	Build-in- type / with feet / floor-stand
Noise levels:	1 through to 3 stage 77dB(A) Free Air, 1M

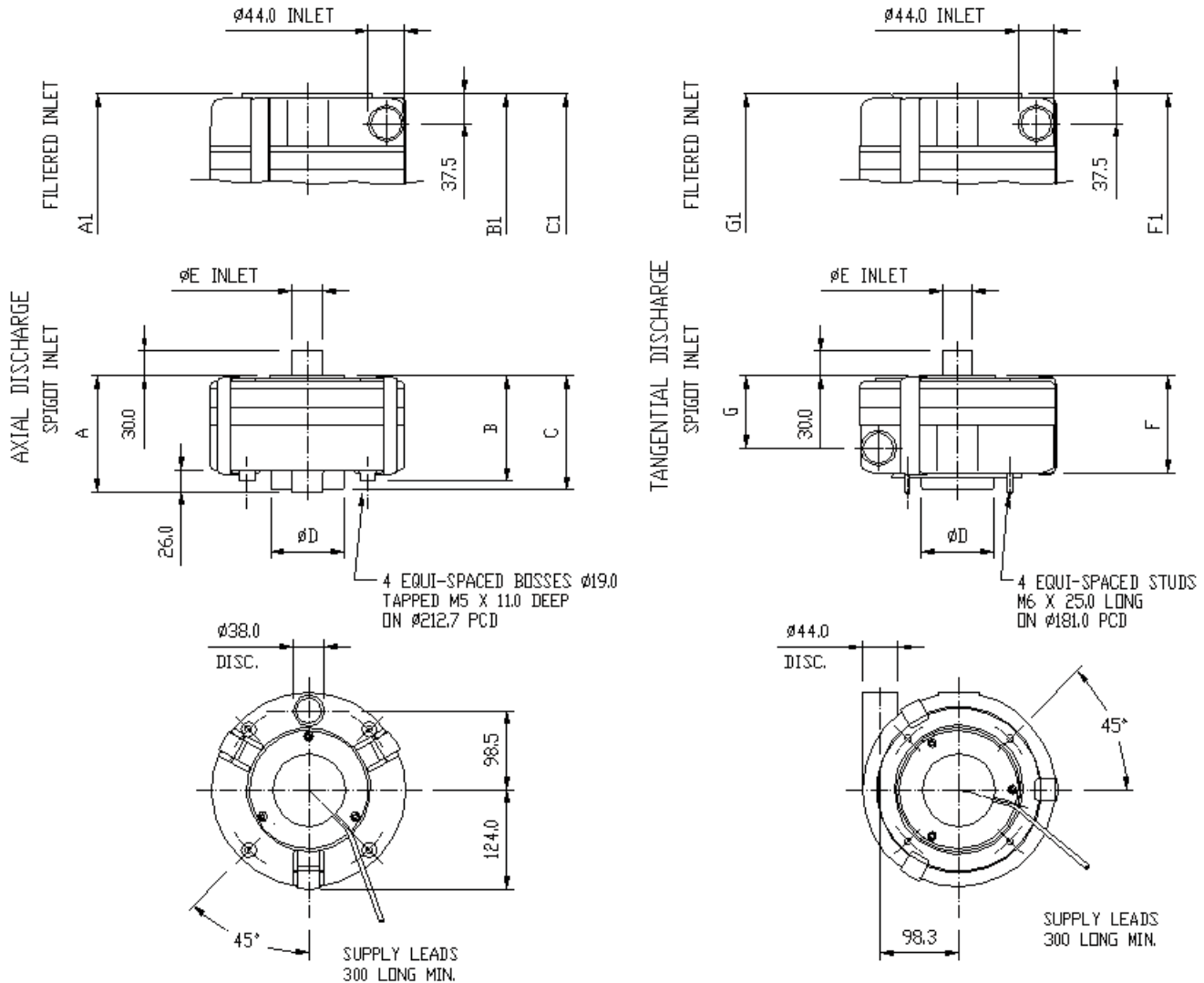
Performance details:



Multi Stage MS8(dc)

Backward Curved, Single Inlet Centrifugal Fans

Outline Dimension details (build in type):



	A	A1	B	B1	C	C1	D	E	F	F1	G	G1
1MS8	99.5	155	86.5	142	98	153.5	91	$\phi 44/\phi 38/\phi 32$	77	132.5	46	101.5
2MS8	122	177.5	109	164.5	120.5	176	91	$\phi 44/\phi 38/\phi 32$	99.5	155	68.5	124
3MS8	145	200.5	132	187.5	143	198.5	91	$\phi 44/\phi 38/\phi 32$	122	177.5	91	146.5

Please note (1) - all drawings measurements are in millimeters (mm)
 Please note (2) - above technical specifications are subject to change

Multi Stage MS11/020

Backward Curved, Single Inlet Centrifugal Fans

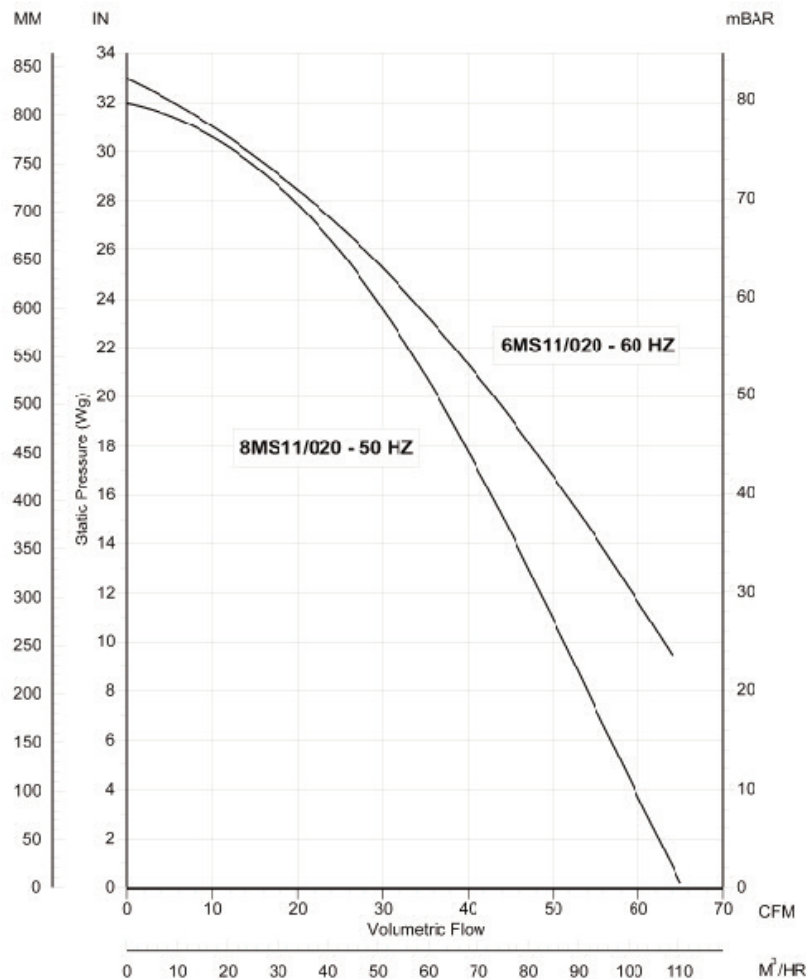
General Characteristics:



[Please note - image above may not be representative of the unit supplied]

Motor type:	Induction type, 1Ph, capacitor start and run		
Nominal Supply:	Volts	Ph	Hz
	100	1	60
	110-115	1	50/60
	120	1	60
	240	1	50
	380-420 / 220-240	3	50/60
	440-480/250-280		
Options:	Inlet and discharge guards and spigots		
Materials:	Inlets & Fanscrolls: Cast aluminium		
	Stators: White polyester resin		
	Impellers: Aluminium 1200 H14		
Bearings:	Ball type, lubricated for life		
Mounting options:	Build-in- type / with feet		
Noise levels:	82.5dB(A) Free Air, 1M (6MS11)		
	76.4dB(A) Free Air, 1M (8MS11)		

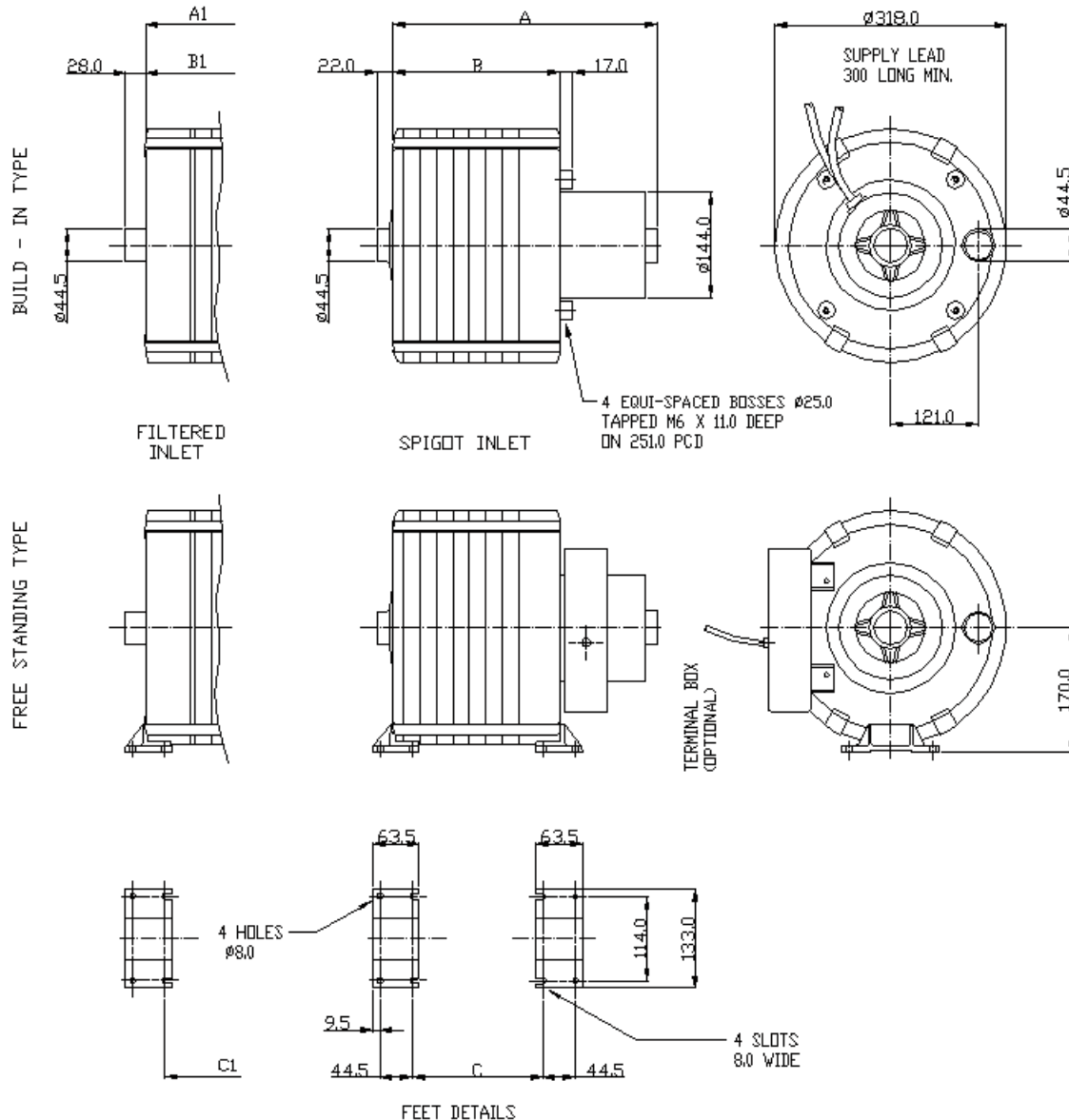
Performance details:



Multi Stage MS11/020

Backward Curved, Single Inlet Centrifugal Fans

Outline dimensions:



	A	A1	B	B1	C	C1
6MS11/020	315	369	187	241	134	188
8MS11/020	360	414	232	286	179	233

Please note (1) - all drawings measurements are in millimeters (mm)
 Please note (2) - above technical specifications are subject to change

AIR CONTROL INDUSTRIES LTD
 Weycroft Avenue, Millwey Industrial Estate,
 Axminster, Devon, EX13 5HU
 t: +44(0)1297 529242 f: +44(0)1297 529241
 e: sales@aircontrolindustries.com
 w: www.aircontrolindustries.com

Multi Stage MS11/080

Backward Curved, Single Inlet Centrifugal Fans

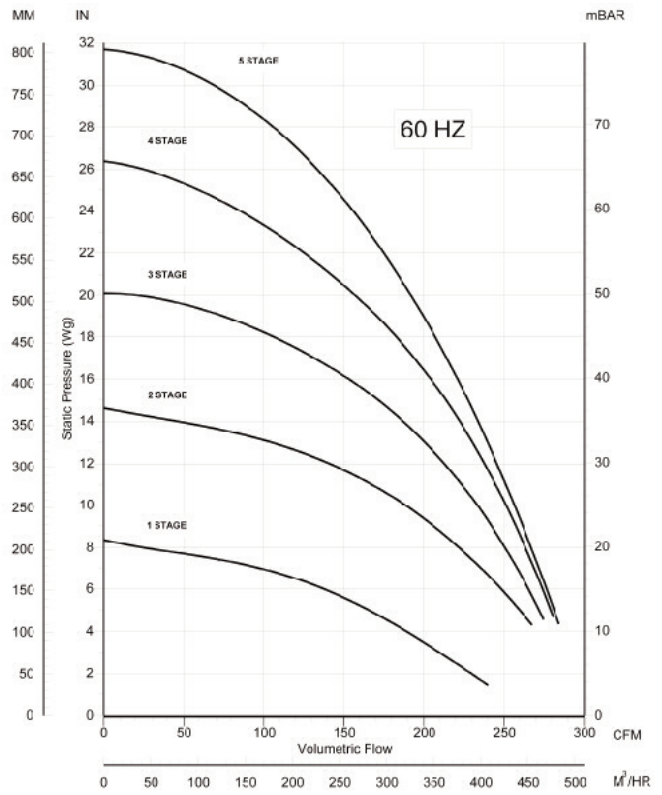
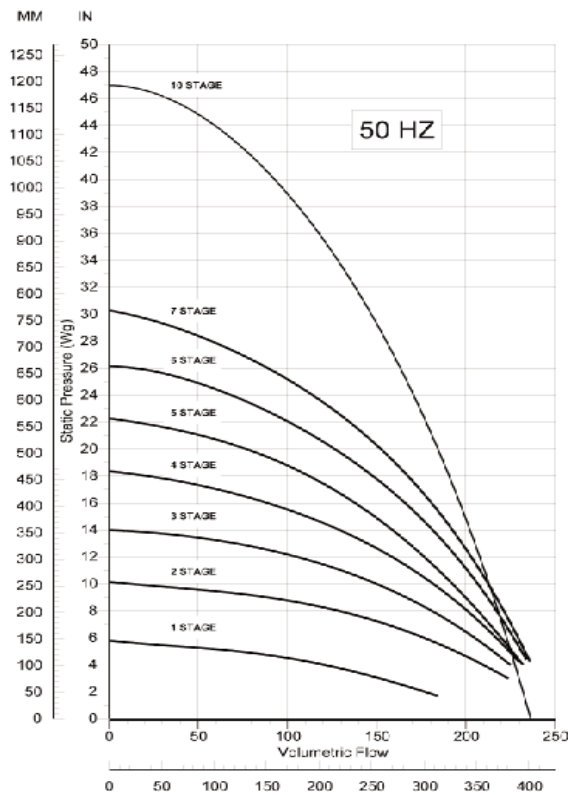
General Characteristics:



[Please note - image above may not be representative of the unit supplied]

Motor type:	Induction type, 1Ph, capacitor start and run		
Nominal Supply:	Volts	Ph	Hz
	100	1	60
	110-115	1	50/60
	120	1	60
	240	1	50
	380-420/220-240 440-480/250-280	3	50/60
Options:	Inlet and discharge guards and spigots		
Materials:	Inlets & Fanscrolls: Cast aluminium Stators: White polyester resin Impellers: Aluminium 1200 H14		
Bearings:	Ball type, lubricated for life		
Mounting options:	Build-in- type / with feet		

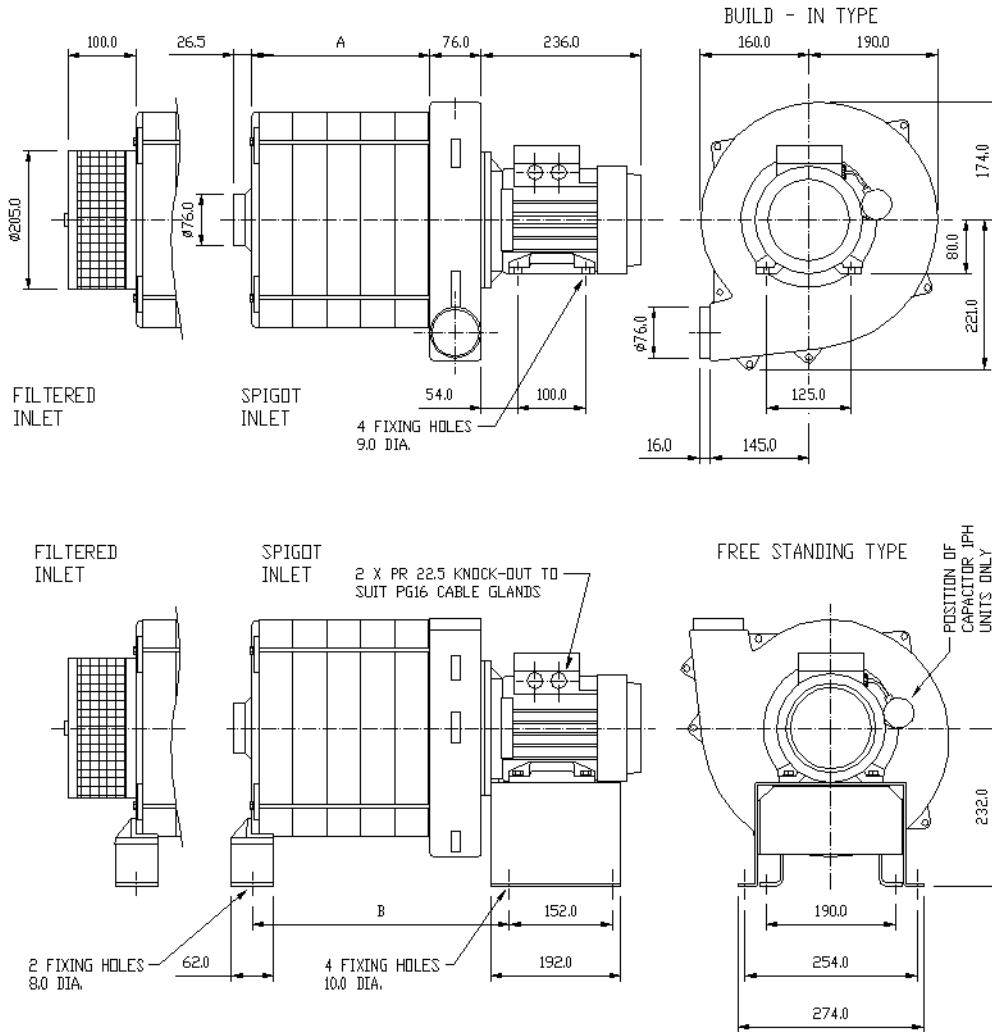
Performance details:



Multi Stage MS11/080

Backward Curved, Single Inlet Centrifugal Fans

Outline dimensions (build in and feet mounted):



Unit	A	B	WEIGHT KGS	PEDESTAL KGS	FILTERED INLET KGS	
1MS11/080	15	-	9.5	10.5	12	<p style="text-align: center;">VIEW FROM MOTOR SIDE</p>
2MS11/080	15	-	11	12	13.5	
3MS11/080	65	-	13.5	14.5	16	
4MS11/080	115	-	16	17	18.5	
5MS11/080	165	280	18.5	20	21.5	
6MS11/080	215	330	21	22.5	24	
7MS11/080	265	380	23.5	25	26.5	
10MS11/080	415	530	35	36.5	38	

FORWARD SUPPORT BRACKETS ONLY FITTED TO THESE TYPES

Please note (1) - all drawings measurements are in millimeters (mm)
Please note (2) - above technical specifications are subject to change

AIR CONTROL INDUSTRIES LTD
 Weycroft Avenue, Millwey Industrial Estate,
 Axminster, Devon, EX13 5HU
 t: +44(0)1297 529242 f: +44(0)1297 529241
 e: sales@aircontrolindustries.com
 w: www.aircontrolindustries.com

Multi Stage MS11/168

Backward Curved, Single Inlet Centrifugal Fans

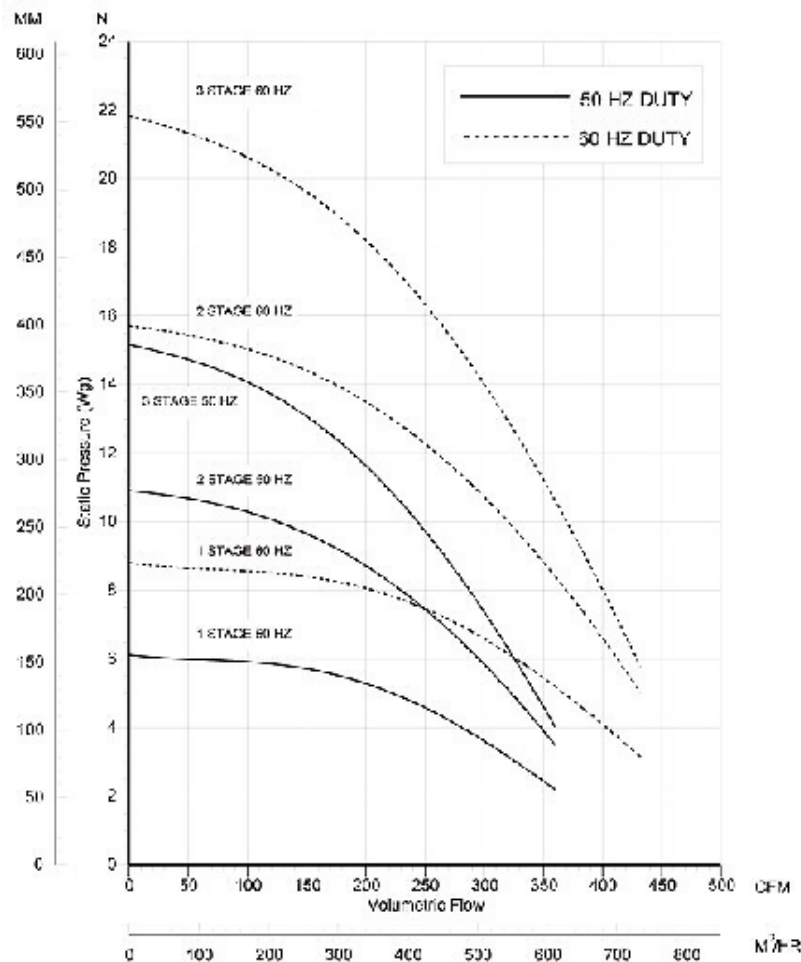
General Characteristics:



[Please note - image above may not be representative of the unit supplied]

Motor type:	Induction type, 1Ph, capacitor start and run		
Nominal Supply:	Volts	Ph	Hz
	100	1	60
	110-115	1	50/60
	120	1	60
	240	1	50
	380-420/220-240	3	50/60
	440-480/250-280)		
Options:	Inlet and discharge spigots		
Materials:	Inlets & Fanscrolls: Aluminium		
	Stators: Aluminium		
	Impellers: Aluminium 1200 H14		
Bearings:	Ball type, lubricated for life		
Mounting options:	Build-in- type / with feet		

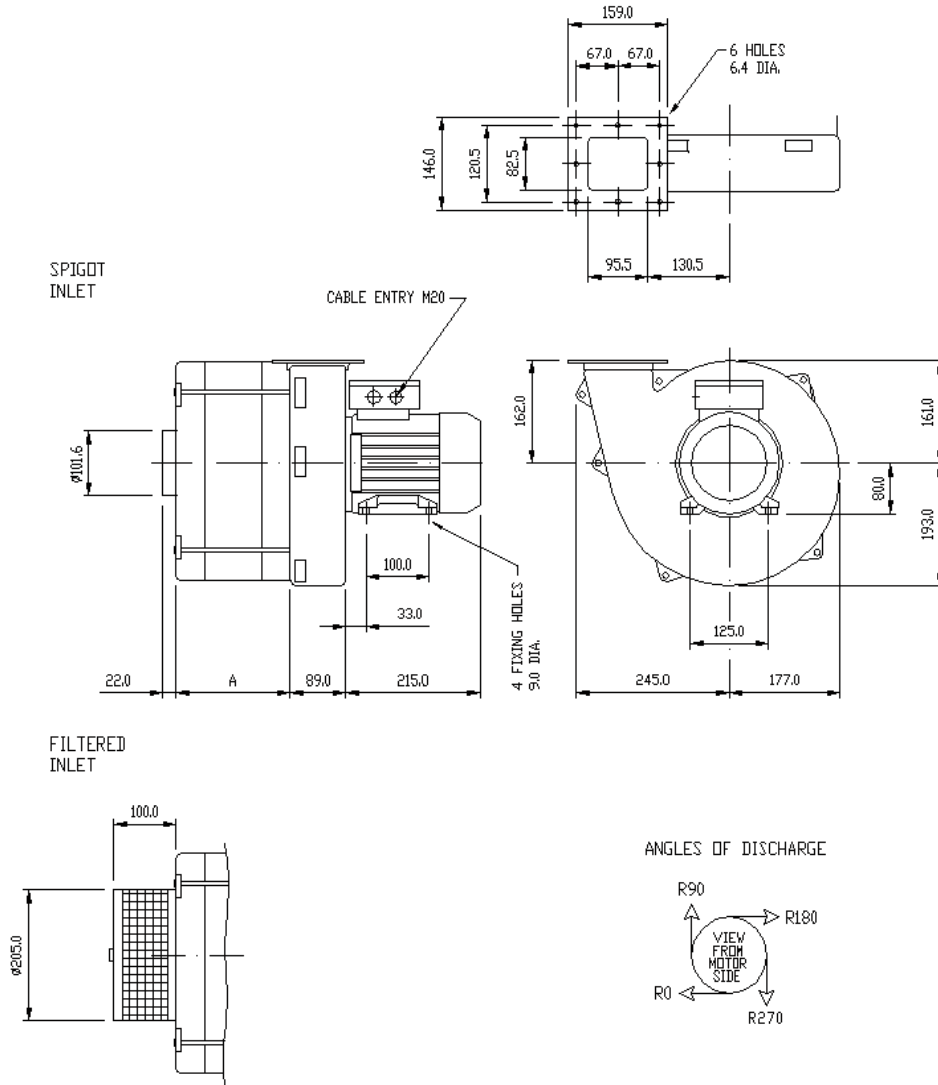
Performance Details:



Multi Stage MS11/168

Backward Curved, Single Inlet Centrifugal Fans

Outline dimensions:



Unit	A	Weight (Kgs)	Filtered Inlet
1MS11/168	0	15	16.5
2MS11/168	92	18	19.5
3MS11/168	182	22	23.5
4MS11/168	272	26	27.5

Please note (1) - all drawings measurements are in millimeters (mm)
Please note (2) - above technical specifications are subject to change

AIR CONTROL INDUSTRIES LTD
Weycroft Avenue, Millwey Industrial Estate,
Axminster, Devon, EX13 5HU
t: +44(0)1297 529242 f: +44(0)1297 529241
e: sales@aircontrolindustries.com
w: www.aircontrolindustries.com

Multi Stage 5MS11

Backward Curved, Single Inlet Centrifugal Fans - Inverter Driven

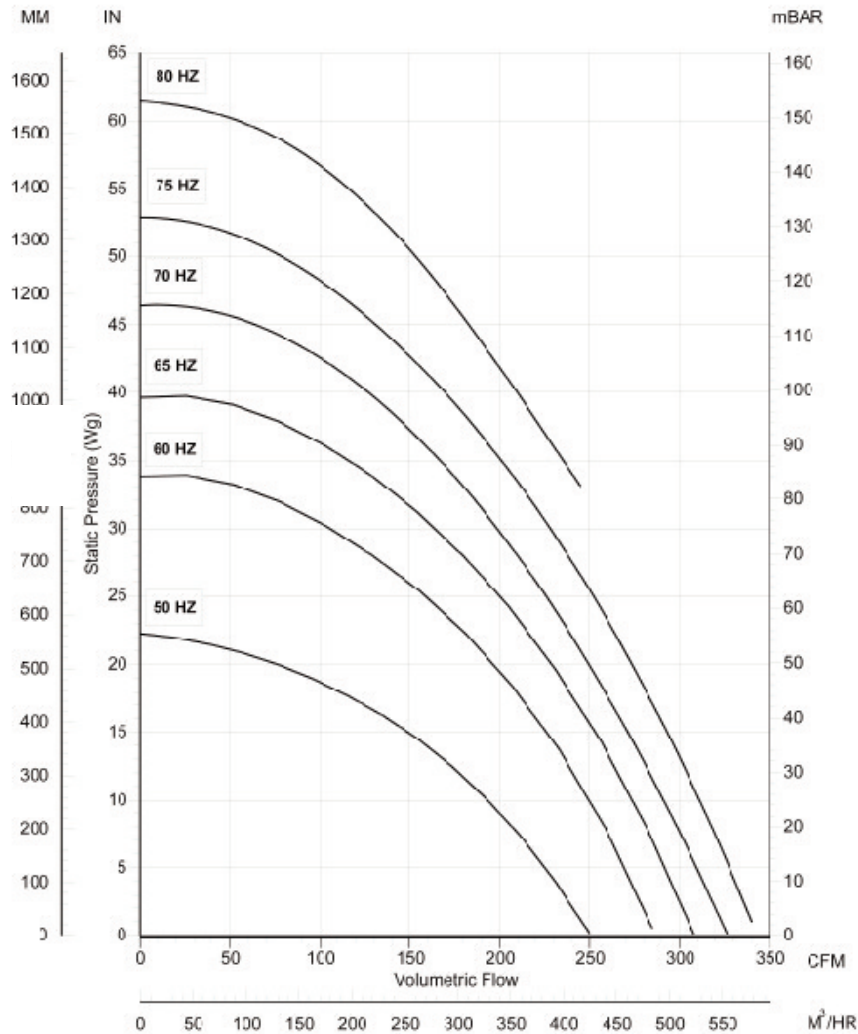
General Characteristics:



[Please note - image above may not be representative of the unit supplied]

Motor type:	Induction type, 1Ph, capacitor start and run		
Nominal Supply:	Volts	Ph	Hz
	380/460	3	50/60
	200/240	1	50/60
	200/240	3	50/60
Options:	Inlet and discharge guards and spigots		
Materials:	Inlets & Fanscrolls: Cast aluminium Stators: White polyester resin Impellers: Aluminium 1200 H14		
Bearings:	Ball type, lubricated for life		
Mounting options:	With feet or wall mounted framework		

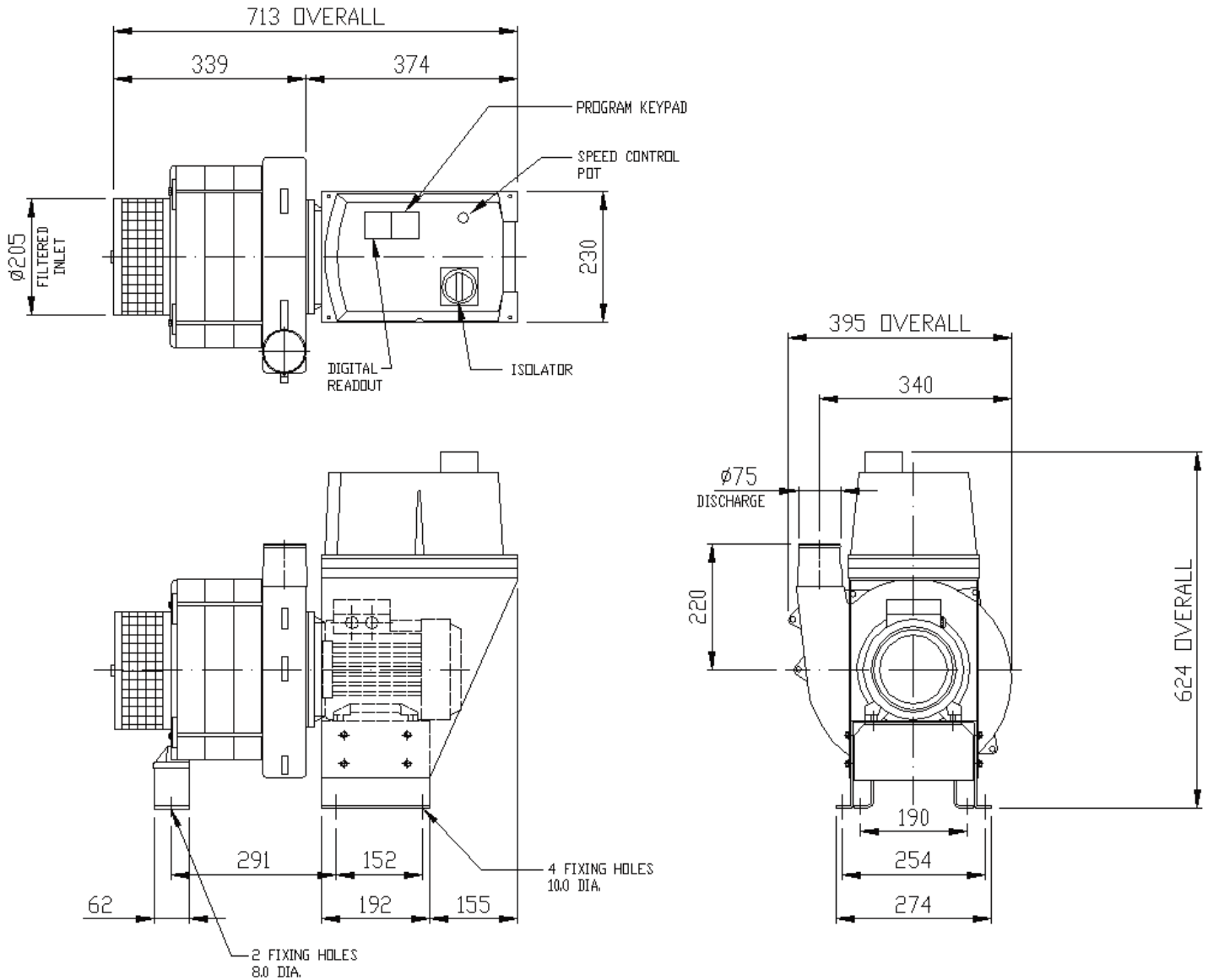
Performance details:



Multi Stage 5MS11

Backward Curved, Single Inlet Centrifugal Fans - Inverter Driven

Outline dimensions:



Please note (1) - all drawings measurements are in millimeters (mm)
Please note (2) - above technical specifications are subject to change

Multi Stage MSX

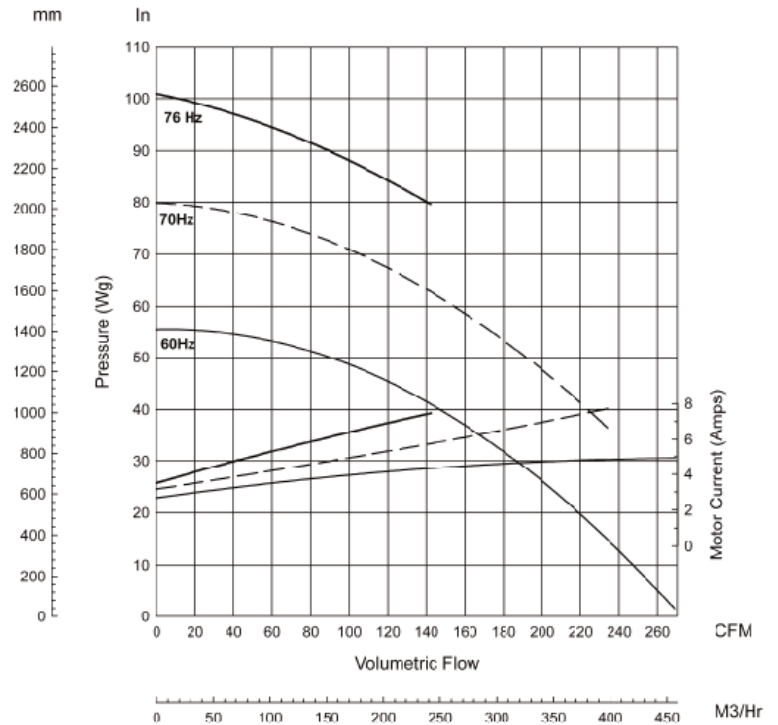
Backward Curved, Single Inlet Centrifugal Fans

General Characteristics:

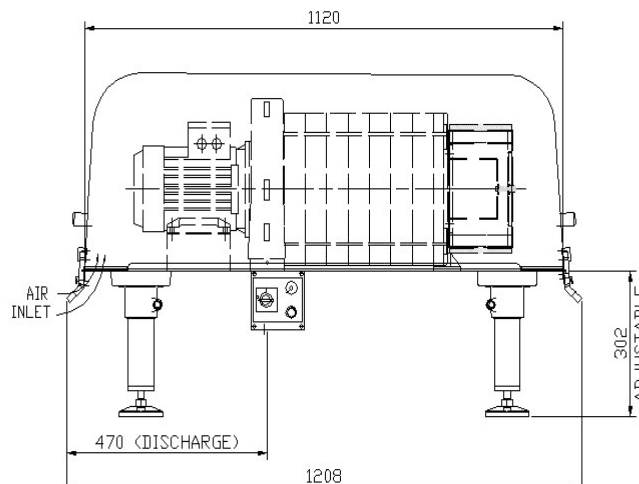
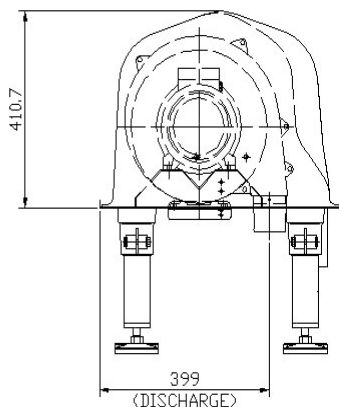
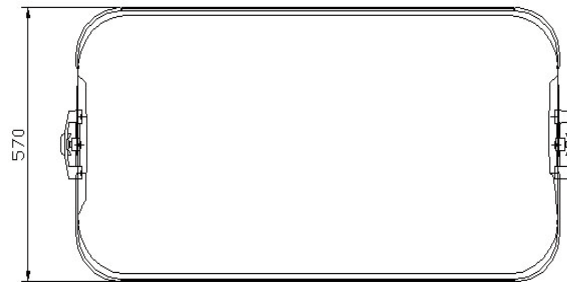


[Please note - image above may not be representative of the unit supplied]

Motor type:	3KW, 2 pole motor (90 Frame)		
Nominal Supply:	Volts	Ph	Hz
	400/480	3	50/60
Options:	Inlet and discharge guards and spigots		
Materials:	Inlets & Fanscrolls: Cast aluminium Stators: White polyester resin Impellers: Aluminium 1200 H14 Baseplate & Leg Kit: Stainless Steel 304 Enclosure Cover: ABS R59		
Bearings:	Ball type, lubricated for life		
Mounting options:	Varied leg kit heights		
Noise levels:	76.2dB(A) Free Air, 1M		



Performance details:





Multi Stage Blowers