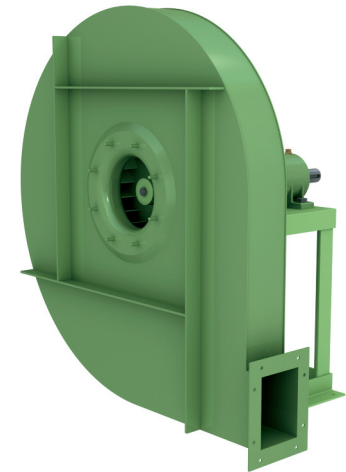
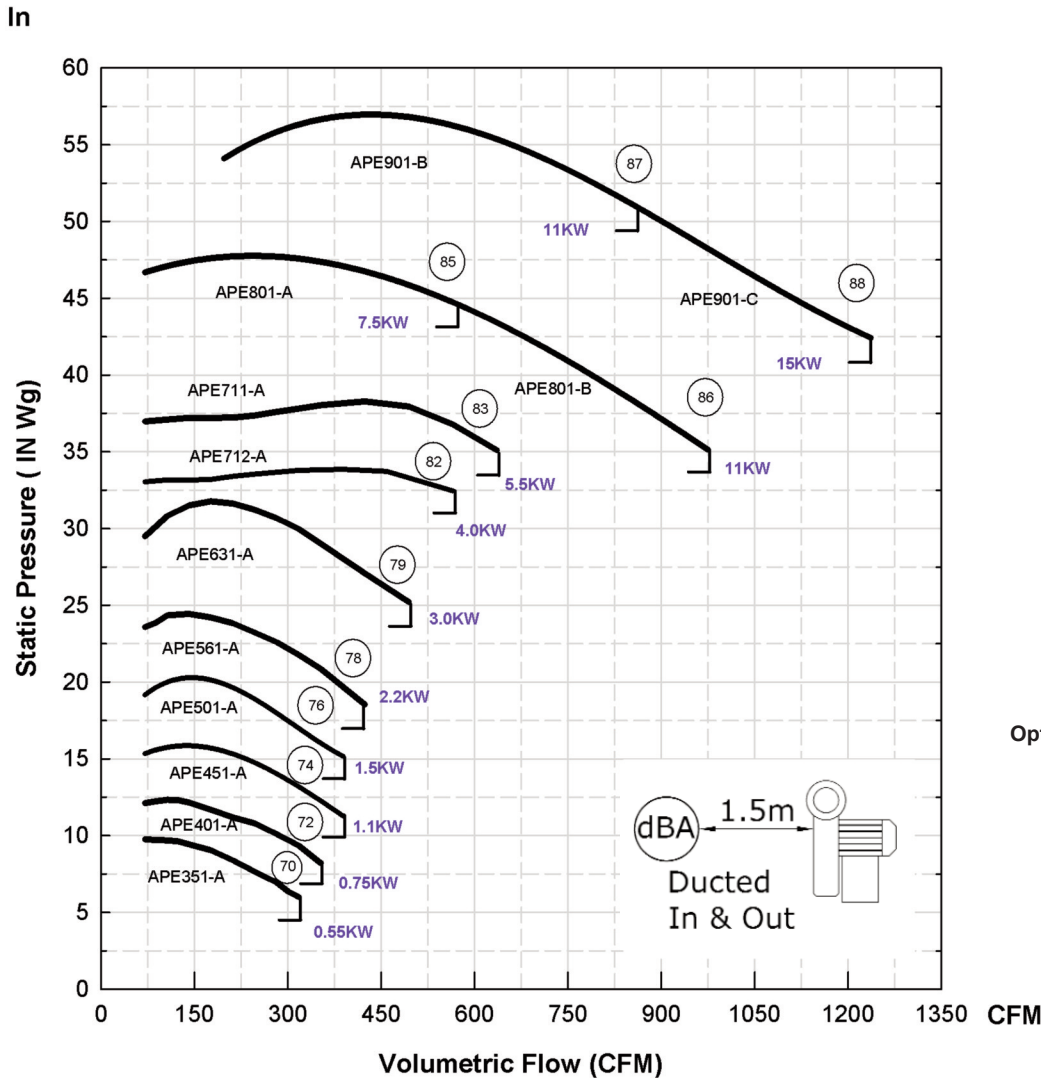


# EV Radial Bladed Blowers

## APE Series (APE351A-APE901B)

**Performance curves - discharge side**  
Curve illustrated is for 2 pole (2900 RPM)



Centrifugal medium and high pressure blower with directly coupled motor

**Optional Extras Include:**

- Control Valves
- Inlet & Outlet Flexible Connectors
- Anti-vibration mountings
- Acoustic Enclosures
- Non Return Valve

**Please note:**

Pascal = (In.SWG x 249)  
M<sup>3</sup>/Hr = (CFM x 1.699)

Noise level tolerances +3dB(A)

**Description:**

Centrifugal medium and high pressure blower with directly coupled motor.

**Use:**

This series of blowers are particularly suitable for pneumatic conveyances. In particular applications within cement factories, foundries, oil burners, mills, food factories, chemical, metallurgical and iron industries where small capacities with medium and high pressures are required.

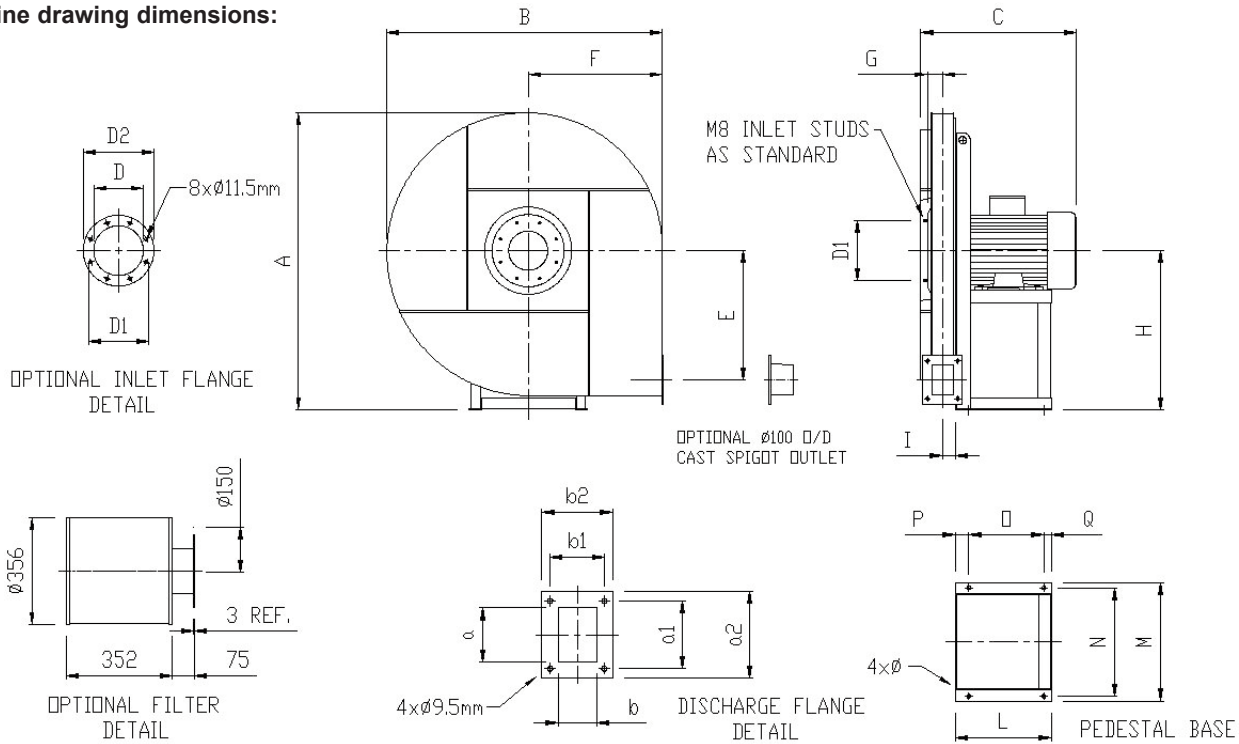
**Please note:**

- Maximum air temperature through fan is 80°C
- Higher temperatures can be achieved with a heat spinner arrangement. Please consult ACI's Technical Sales Department.

# EV Radial Bladed Blowers

## APE Series (APE351A-APE901B)

Outline drawing dimensions:



APE Range painted RAL6011 Green as standard [Other colours available upon request].

All APE Fans are revolvable.

Table of discharge angles:

|    |    |     |     |      |      |      |      |      |
|----|----|-----|-----|------|------|------|------|------|
| LG |    |     |     |      |      |      |      |      |
|    | L0 | L45 | L90 | L135 | L180 | L225 | L270 | L315 |
| RD |    |     |     |      |      |      |      |      |
|    | R0 | R45 | R90 | R135 | R180 | R225 | R270 | R315 |

Table for blower dimensions:

|           |         | Fan  |      |     |     |     |    |         |    | Base |     |     |     |    |    |    |     | Inlet Flange |     |     | Outlet Flange |     |     |     |     |     |                      |                       |
|-----------|---------|------|------|-----|-----|-----|----|---------|----|------|-----|-----|-----|----|----|----|-----|--------------|-----|-----|---------------|-----|-----|-----|-----|-----|----------------------|-----------------------|
| FAN       | MOTOR   | A    | B    | C   | E   | F   | G  | H/H1&H2 | I  | L    | M   | N   | O   | P  | Q  | Ø  | D   | D1           | D2  | a   | b             | a1  | b1  | a2  | b2  | Kg  | Inlet Guard Part No. | Inlet Filter Silencer |
| APE 351/A | 71 B2   | 560  | 520  | 310 | 223 | 250 | 42 | 300     | 38 | 190  | 235 | 215 | 125 | 50 | 15 | 10 | 145 | 182          | 215 | 90  | 63            | 112 | 90  | 150 | 123 | 30  | EVP-001              | 0-1262                |
| APE 401/A | 80 A2   | 560  | 520  | 330 | 223 | 250 | 42 | 300     | 38 | 190  | 235 | 215 | 125 | 50 | 15 | 10 | 145 | 182          | 215 | 90  | 63            | 112 | 90  | 150 | 123 | 34  | EVP-001              | 0-1262                |
| APE 451/A | 80 B2   | 670  | 620  | 330 | 280 | 300 | 42 | 355     | 38 | 190  | 235 | 215 | 125 | 50 | 15 | 10 | 145 | 182          | 215 | 90  | 63            | 112 | 90  | 150 | 123 | 45  | EVP-001              | 0-1262                |
| APE 501/A | 90 S2   | 670  | 620  | 370 | 280 | 300 | 42 | 355     | 38 | 215  | 270 | 245 | 137 | 60 | 18 | 10 | 145 | 182          | 215 | 90  | 63            | 112 | 90  | 150 | 123 | 48  | EVP-001              | 0-1262                |
| APE 561/A | 90 L2   | 790  | 730  | 390 | 330 | 355 | 46 | 425     | 42 | 215  | 270 | 245 | 137 | 60 | 18 | 10 | 165 | 200          | 235 | 100 | 71            | 125 | 100 | 160 | 131 | 67  | EVP-002              | 0-1262                |
| APE 631/A | 100 LA2 | 790  | 730  | 390 | 330 | 355 | 46 | 425     | 43 | 260  | 332 | 300 | 200 | 35 | 25 | 12 | 165 | 200          | 235 | 100 | 71            | 125 | 100 | 160 | 131 | 72  | EVP-002              | 0-1262                |
| APE 712/A | 112 M2  | 890  | 825  | 460 | 380 | 400 | 46 | 475     | 42 | 260  | 332 | 300 | 200 | 35 | 25 | 12 | 165 | 200          | 235 | 100 | 71            | 125 | 100 | 160 | 131 | 105 | EVP-002              | 0-1262                |
| APE 711/A | 132 SA2 | 890  | 825  | 460 | 380 | 400 | 46 | 475     | 42 | 320  | 392 | 360 | 250 | 45 | 25 | 12 | 165 | 200          | 235 | 100 | 71            | 125 | 100 | 160 | 131 | 120 | EVP-002              | 0-1262                |
| APE 801/A | 132 SB2 | 990  | 920  | 520 | 430 | 450 | 50 | 530     | 42 | 320  | 392 | 360 | 250 | 45 | 25 | 12 | 165 | 200          | 235 | 100 | 71            | 125 | 100 | 160 | 131 | 154 | EVP-002              | 0-1262                |
| APE801/ B | 132 MB2 | 990  | 920  | 520 | 430 | 450 | 50 | 530     | 42 | 320  | 392 | 360 | 250 | 45 | 25 | 12 | 165 | 200          | 235 | 100 | 71            | 125 | 100 | 160 | 131 | 160 | EVP-002              | 0-1262                |
| APE 901/B | 160 MR2 | 1180 | 1100 | 680 | 520 | 530 | 56 | 630     | 49 | 425  | 440 | 400 | 340 | 55 | 30 | 14 | 185 | 219          | 255 | 112 | 80            | 140 | 112 | 172 | 140 | 240 | EVP-003              | 0-1262                |
| APE 901/C | 160 M2  | 1180 | 1100 | 680 | 520 | 530 | 56 | 630     | 49 | 425  | 440 | 400 | 340 | 55 | 30 | 14 | 185 | 219          | 255 | 112 | 80            | 140 | 112 | 172 | 140 | 245 | EVP-003              | 0-1262                |

**Please note (1)** - all drawings measurements are in millimeters (mm)  
**Please note (2)** - above technical specifications are subject to change

**AIR CONTROL INDUSTRIES LTD**  
 Weycroft Avenue, Millwey Industrial Estate,  
 Axminster, Devon, EX13 5HU  
**t:** +44(0)1297 529242 **f:** +44(0)1297 529241  
**e:** sales@aircontrolindustries.com  
**w:** www.aircontrolindustries.com