



AIR CONTROL INDUSTRIES

shaping air movement since 1969

SPIRAL DRYER

Drying systems for small and light components

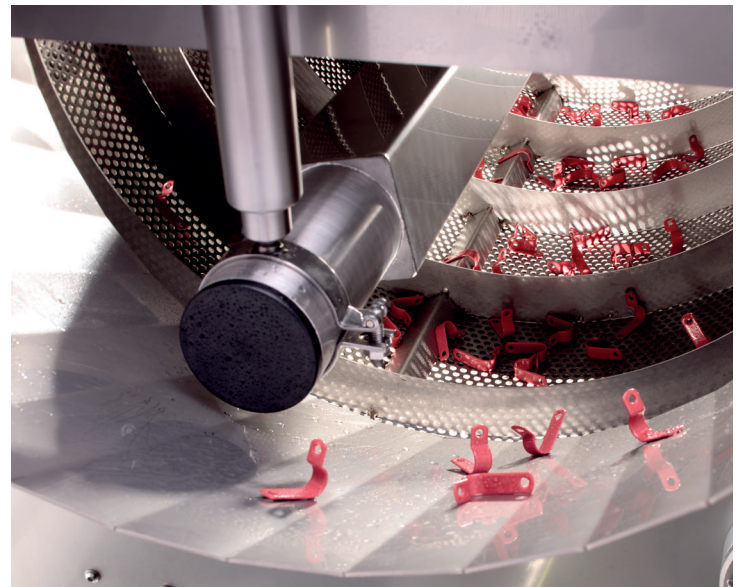
ACI's Spiral Dryer is a compact and efficient drying system that allows for continuous in-line surface drying of small and light components.

The system comprises a single helix rotating drum constructed from perforated stainless steel, mounted horizontally. Parts enter the drum via a simple chute. Once inside, they are exposed to a blower-driven air knife which is suspended in the centre of the drum.

The combination of the tumbling product motion and the powerful, high-velocity air stream from the air knife, enables the emerging parts/components to be dried both efficiently and effectively. Once dried, these parts/components can simply be collected manually or passed onto another process.

Typical Drying Applications:

- Screws, nuts & bolts
- Machined parts
- Mouldings
- Pressings
- Castings
- Small assemblies
- Food products



Key Features:

- Variable throughput speeds
- Incorporates high-efficiency Air Knife System Technology
- Available with a range of ACI blowers
- Low power requirements
- Stainless steel drum and drip trays
- Reliable and robust construction
- Safe and simple to integrate into a production line
- All parts easily accessible for maintenance

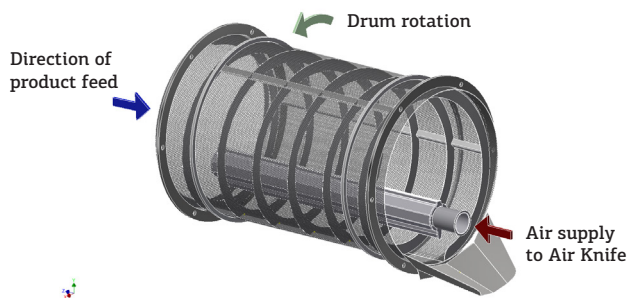


SPIRAL DRYER

Additional safety guards are available if required.

The blower supplying the air knife system can be fitted remotely or mounted directly on top of the dryer itself.

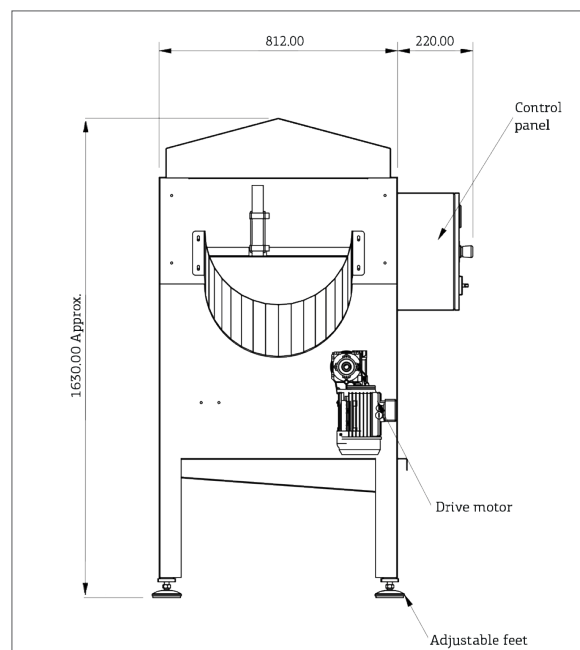
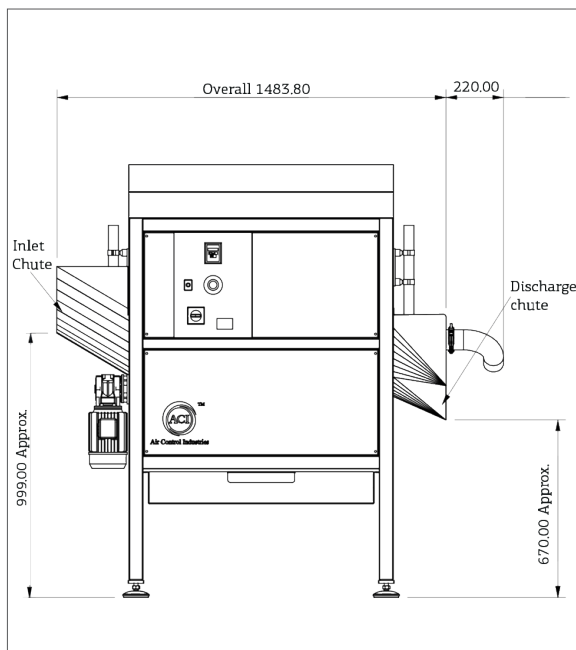
Our extensive R&D facilities enable customers to evaluate the effectiveness and suitability of our products thoroughly. Free customer site visits to UK mainland are also available.



Specifications	
Standard Electrical Supply	1Ph, 230V, 50/60Hz IP66 control panel

Product Guide		
Max Load (kg)	Drying Time (secs)	Drum Motor Speed (rpm)
10	30	50
10	160	14
20	30	50
20	45	25

Spiral Dryer dimensions can be tailored to customer's requirements using the product size and throughput speed.



For more information contact us: E: sales@aircontrolindustries.com • T: +44 1297 529242
www.aircontrolindustries.com/spiral