



AIR CONTROL INDUSTRIES

shaping air movement since 1969

PROFILE DRYER

Custom drying systems for complex plastic and rubber extrusions

ACI's Profile Dryer is a compact and efficient system designed to draw out moisture from unusual shaped profiles such as EPDM rubber extrusions, asymmetric profiles and silicone seals.

This dryer is especially suited to production lines of **complex profiles** or lines where **water recycling or spray containment** are important.

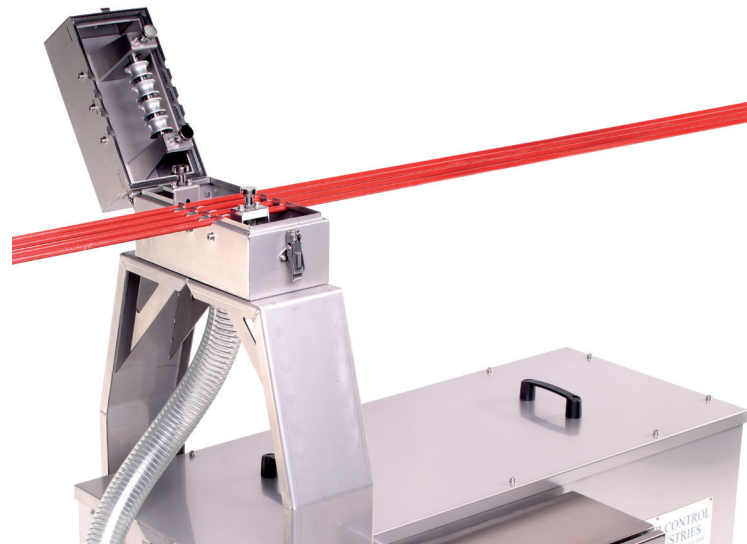
The unit consists of an innovative blower-driven solution that **uses vacuum**, with **no water or oil content** to remove water **without damaging or distorting the extrusions**.

The profile dryer considerably **improves** rubber and seal **drying efficiencies** when **compared to compressed air nozzle arrangements** and other existing blower-driven devices available to the industry today.

As well as achieving higher level of drying efficiency, the unit also brings the added benefits of **major running cost savings** and **lower energy consumption**.

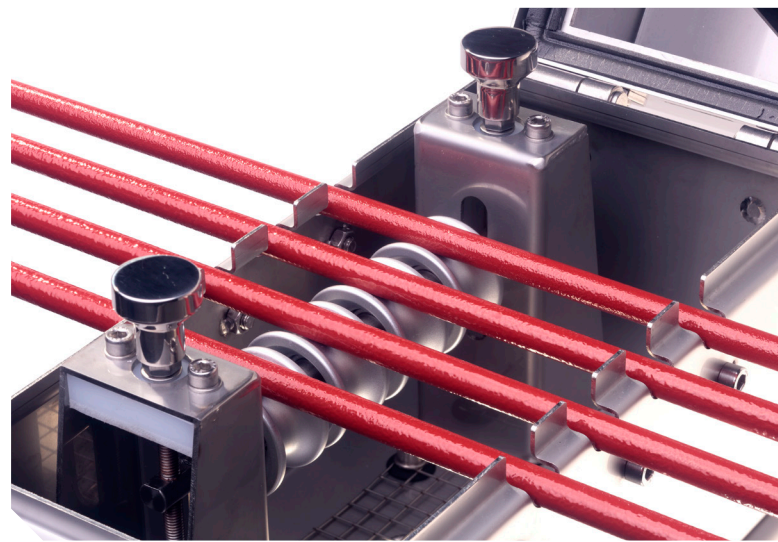
Typical Drying Applications:

- EPDM, nitrile Rubber Extrusions
- PVC
- Plastic Extrusions
- Silicone Seals
- Profiles
- Tubes
- Pipes
- Bars



Key Features:

- Drying speed varies with profile size
Ex: automotive extrusion - 20 to 50m/min
- No compressed air
- Enhanced drying efficiency
- Reduced energy consumption (up to 3Kw)
- Lower water consumption due to recycling
- Reduced production costs
- Spray-free drying
- Compact/drop-in solution - 1,300mm long

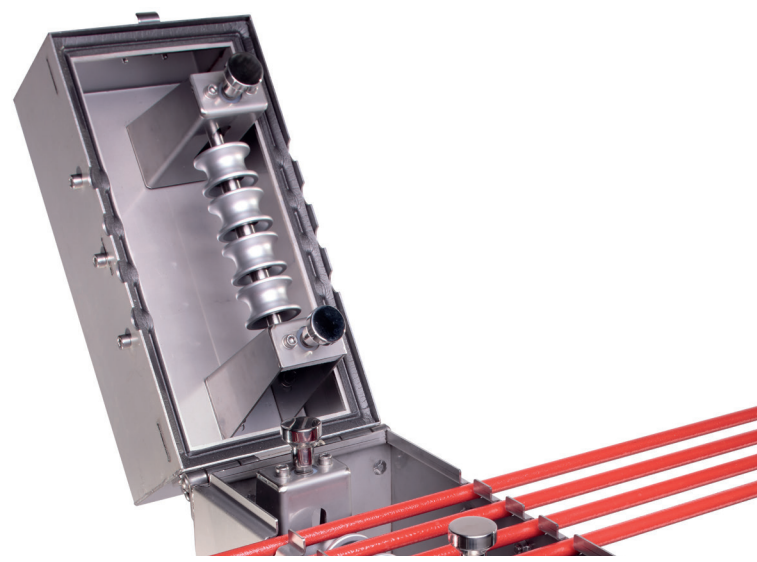


PROFILE DRYER

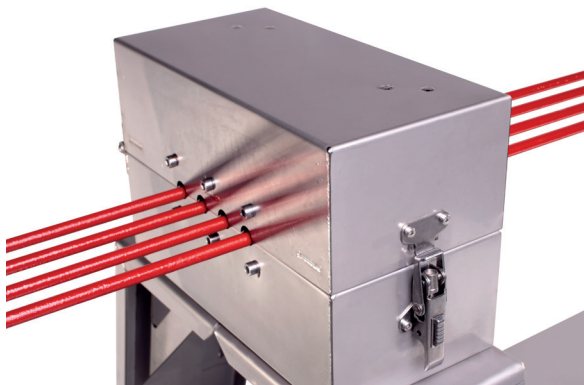
The unit is fully enclosed with a small footprint to easily fit into most production lines.

The main enclosure contains a lateral channel blower and cooling fan as well as a water separator which drains water as it reaches a certain level.

The unit is made from stainless steel and ceramic rollers, to eliminate the risk of corrosion.



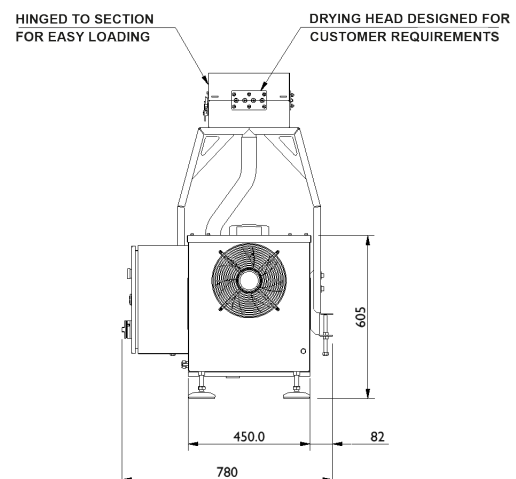
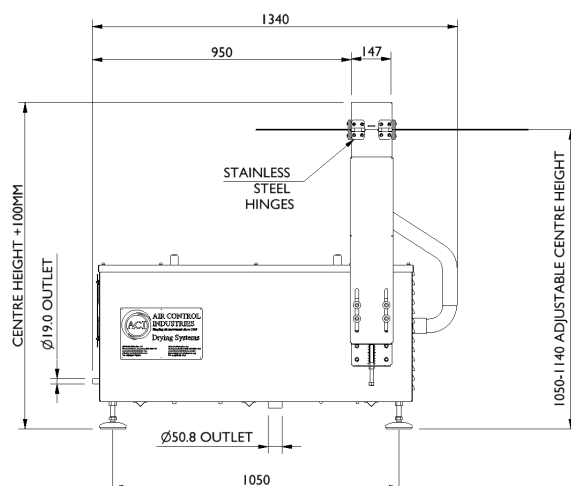
The drying head can be configured to meet customer's specifications. More information is available on request.



Product Specifications	Inlet Pressure: up to - > 80ln.Swg (2.8PSI) Process Air Temperature: ambient Size: 0.2mm - 65mm Running Speed: up to 100 m/min (328 ft/min)
Standard Electrical Supply	1Ph, 220/240V 50Hz 3Ph, 400V, 50Hz IP66 motor protection

Rubber/Extrusion/Seal Product Guide		
Profile Size (mm)	Max Line Speed (m/min)	Motor Power (kW)
0.2 ≤ 6	up to 100	up to 3
6 ≤ 15	up to 50	up to 3
15 ≤ 25	up to 20	up to 3
25 - 65	up to 10	up to 3

Dimensions can be tailored to customer's requirements depending on the size of profile that needs to be dried.



For more information contact us: E: sales@aircontrolindustries.com • T: +44 1297 529242
www.aircontrolindustries.com/profiles