

product description

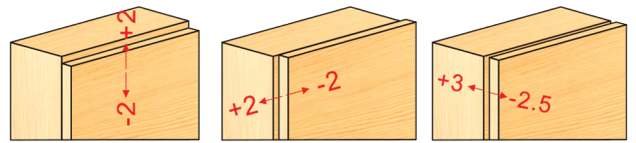
- Open angle: 165°
- Diameter of hinge cup: 35mm
- Cup depth: 12mm
- Face Panel (K) measurement K: 3~7mm
- Recommended Door thickness: 16–26mm
- Opening angle adjustable: 130° ~165°

Door adjustment:

Height adjustment +2mm -2mm

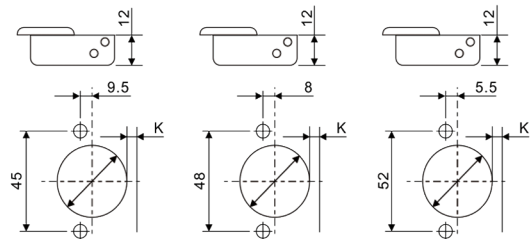
Side adjustment +2mm -2mm

Depth adjustment +3mm -2.5mm

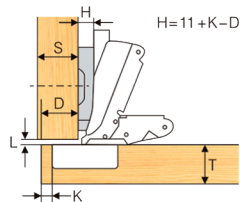


● Use the formulas below to decide the overlay for hinge.

- H= height of mounting plate
- K= drilling distance from the edge of door to the edge of the hole
- D= required door overlay
- A= gap between door and side panel
- L= gap between door and carcase
- T= door thickness



Full overlay

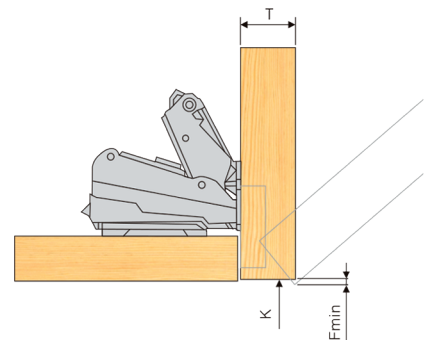


D: Coverage calculation table

H \ D \ K	3	4	5	6	7
0	16	17	18	19	20
2	14	15	16	17	18
4	12	13	14	15	16

Fmin

T	16	17	18	19	20	21	22	23	24	25	26
K=3 F	0.0	0.0	0.0	0.1	0.4	1.4	2.4	3.4	4.4	5.4	6.4
K=4 F	0.0	0.0	0.0	0.1	0.2	0.8	1.7	2.6	3.6	4.5	5.5
K=5 F	0.0	0.0	0.0	0.1	0.2	0.5	1.2	2.0	2.9	3.8	4.8
K=6 F	0.0	0.0	0.0	0.1	0.2	0.5	0.9	1.6	2.4	3.2	4.1
K=7 F	0.0	0.0	0.0	0.1	0.2	0.4	0.8	1.3	2.0	2.8	3.6



Type	Item no.
Full overlay	F-HIN05-165