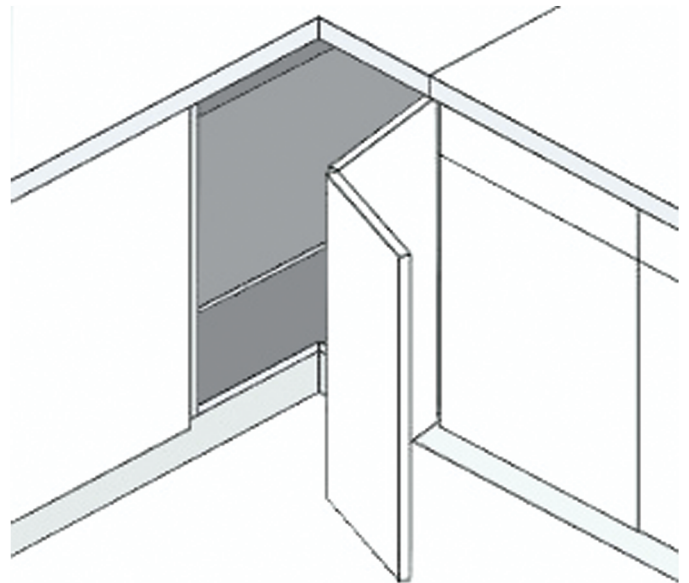
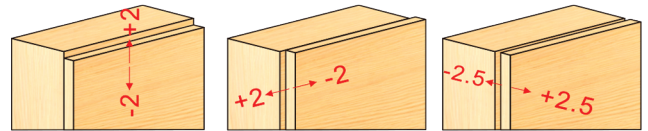
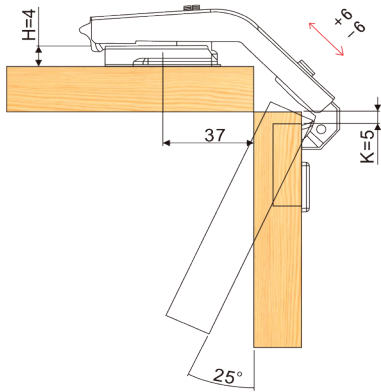


**product description**

- Special Angled Hinge Series—for folding doors
- Open angle: 25° –110°
- Diameter of hinge cup: φ 35mm
- Cup depth: 11.5mm
- Drilling distances on the door(k): 3~6mm
- ange of glassdoor thickness: 15~25mm
- applied with 165° Hinge
- Door adjustment:
  - Height adjustment +2mm –2mm
  - Side adjustment +2mm –2mm
  - Depth adjustment +2.5mm –2.5mm
  - Tolerance +6mm –6mm



Type	Item no.
Full overlay	F-HIN04-135