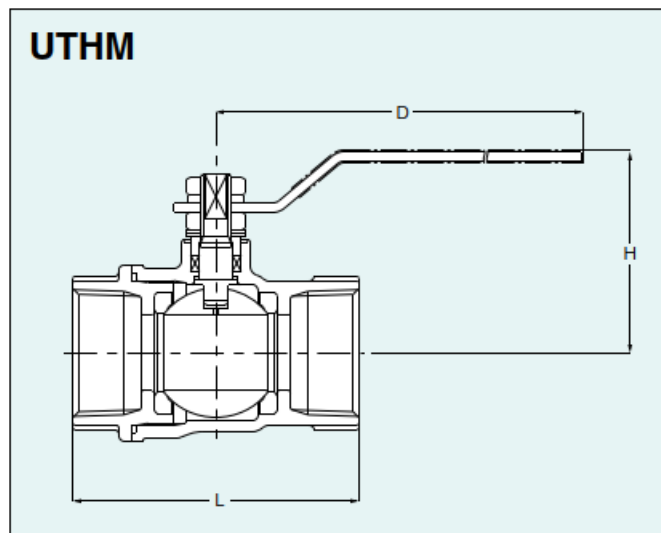


Type 800 Stainless Steel Ball Valves

Reduced bore, Split body design, Threaded ends

Features

- Blowout-proof stem
- Choice of threaded ends:
 - Rc threads to JIS B0203 (BS 21)
(Fig. UTHM)
 - NPT threads to ASME B1.20.1
(Fig. AKUTHM)



Dimensions of UTHM

Unit: mm

Nominal Size	NPS	1/2	3/4	1	1 1/4	1 1/2	2
	DN	15	20	25	32	40	50
Ball bore		10	15	20	25	32	40
L		60	70	80	95	108	124
H		49	54	64	68	79	85
D		100	100	130	130	150	150

Page 114 for Pressure-Temperature Ratings.

Standard Materials

Parts	Materials
Body	CF8M
Body cap	CF8M
Ball	316
Stem	316 Cr plated
Seat	PTFE
Gland packing	PTFE
Handle	Plastic covered S.S.

End to end dimensions: KITZ standard

Valve operator

Lever operation