

Climate
Control

IMI TA

TA-Slider 500 Fail-safe



Actuators

Digitally configurable proportional push-pull actuator
with electronic fail-safe function – 500/300 N

TA-Slider 500 Fail-safe

Digitally configurable fail-safe actuators with or without change-over, and a wide range of setup options provide extensive flexibility for on-site parameter adaptation. Fully programmable binary input, relay and adjustable max. stroke of the valve bring new opportunities for advanced hydronic control and balancing.



Key features

Fully configurable fail-safe

Setting of stroke position (extended, retracted or intermediate position) and delay feature for entering/leaving fail-safe mode for a reliable and optimal fail-safe function.

Convenient, reliable setup

Fully customisable by smartphone via Bluetooth using a TA-Dongle.

Fully configurable

More than 200 setup options allow input and output signals, binary input, relay, characteristics and many other parameters to be configured.

Easy diagnostics

Tracks the last 10 errors to allow system faults to be found quickly and health check of fail-safe function.

Quick copying of settings

Setup configuration can be copied quickly from the TA-Dongle to identical TA-Slider actuators.

Technical description

Functions:

- Electronic fail-safe function
- Proportional control
- Manual override (TA-Dongle)
- Stroke detection
- Mode, status and position indication
- Stroke limitation setting
- Minimum stroke setting
- Valve blockage protection
- Valve clogging detection
- Error safe position
- Diagnostic/Logging
- Delayed start-up

I/O version:

- + 1 binary input, max. 100 Ω , cable max. 10 m or shielded.
- + Output signal

R24 version:

- + 1 binary input, max. 100 Ω , cable max. 10 m or shielded.
- + 1 relay, max. 1A, 30 VAC/VDC on resistive load
- + Output signal

Fail-safe function:

Programmable actuator's stem extended, retracted or intermediate position on power failure.

Supply voltage:

24 VAC/VDC $\pm 15\%$.
Frequency 50/60 Hz ± 3 Hz.

Power consumption:

Peak: < 6.6 VA (VAC);
< 3.2 W (VDC)
Operation: < 3.6 VA (VAC);
< 1.8 W (VDC)
Standby: < 1.6 VA (VAC);
< 0.7 W (VDC)
Peak consumption occurs for a short period after a power cut for recharging capacitors.

Input signal:

0(2)-10 VDC, R_i 47 k Ω .
Adjustable hysteresis sensitivity
0.1-0.5 VDC.
0.33 Hz low pass filter.
Proportional:
0-10, 10-0, 2-10 or 10-2 VDC.
Proportional split-range:
0-5, 5-0, 5-10 or 10-5 VDC.
0-4.5, 4.5-0, 5.5-10 or 10-5.5 VDC.
2-6, 6-2, 6-10 or 10-6 VDC.
Proportional dual-range (for change-over):
0-3.3 / 6.7-10 VDC,
2-4.7 / 7.3-10 VDC,
0-4.5 / 5.5-10 VDC or
2-5.5 / 6.5-10 VDC.
Default setting: Proportional 0-10 VDC.

Output signal:

0(2)-10 VDC, max. 8 mA, min. 1.25 k Ω .
Ranges: See "Input signal".
Default setting: Proportional 0-10 VDC.

Characteristics:

Linear, EQM 0.25 and inverted EQM 0.25.
Default setting: Linear.

Control speed:

4 or 6 s/mm.
Default setting: 4 s/mm.

Fail-safe delay:

Adjustable between 0 and 10 seconds.
Default setting: 2 s

Power supply stabilisation delay:

Adjustable between 1 and 5 seconds.
Default setting: 2 s

Pre-charging time:

< 40 s

Adjusting force:

Push 500 N
Pull 300 N

Temperature:

Media temperature: max. 120°C
Operating environment: 0°C – +50°C
(5-95%RH, non-condensing)
Storage environment: -20°C – +50°C
(5-95%RH, non-condensing)

Ingress protection:

IP54 (all directions)
(according to EN 60529)

Protection class:

(according to EN 61140)
III (SELV)

Cable:

1, 2 or 5 m.
Halogen free with wire end sleeves.
Fire class B2_{ca} – s1a, d1, a1 according to EN 50575.
Type LiYY, 5x0.25 mm².
Relay cable (R24 version):
1, 2 or 5 m.
Halogen free with wire end sleeves.
Fire class B2_{ca} – s1a, d1, a1 according to EN 50575.
Type LiYY, 3x0.34 mm².

Stroke:

16,2 mm
Automatic detection of the valve lift
(stroke detection).

Noise level:

Max. 30 dBA

Weight:

I/O:
0,23 kg, 1 m.
0,27 kg, 2 m.
0,40 kg, 5 m.
R24:
0,33 kg, 1 m.
0,44 kg, 2 m.
0,82 kg, 5 m.

Connection to valve:

Swivelling nut M30x1,5.

Material:

Cover: PC/ABS GF8
Housing: PA GF40.
Swivelling nut: Nickel-plated brass.

Colour:

White RAL 9016, grey RAL 7047.

Marking:

Label: IMI TA, CE, product name, article No. and technical specification.

Certification CE:

LV-D. 2014/35/EU: EN 60730-1, -2-14.
EMC-D. 2014/30/EU: EN 60730-1, -2-14.
RoHS-D. 2011/65/EU: EN 63000.

Product standard:

EN 60730.

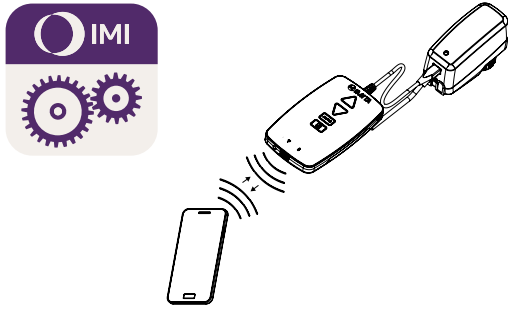
Function

Setting

The actuator can be set by the HyTune app (iOS version 16 or later, Android version 9 or later) + the TA-Dongle device, with or without the actuator power supplied.

The setting configuration can be stored in the TA-Dongle for setting of one or several actuators. Connect the TA-Dongle to the actuator and press the configuration button.

HyTune can be downloaded from the App Store or Google Play.



Manual override

By using the TA-Dongle device. No power supply needed.

Calibration/Stroke detection

According to selected settings in the table.

Type of calibration	At power on	After manual override
Both end positions (full)	√ *	√
Fully extended position (fast)	√	√ *
None	√	

*) Default

Note: A calibration refresh can be automatically repeated monthly or weekly.
Default setting: Off.

Stroke limitation setting

A maximum stroke smaller than or equal to the detected valve lift can be set to the actuator.

For some IMI TA/IMI Heimeier valves it can also be set to a Kv_{max}/q_{max} .

Default setting: No stroke limitation (100%).

Minimum stroke setting

The actuator can be set with a minimum stroke below which it will not go (except for calibration).

For some IMI TA/IMI Heimeier valves, it can also be set to a q_{min} .
Default setting: No minimum stroke (0%).

Valve blockage protection

The actuator will perform a quarter of a full stroke and then back to desired value if no actuation takes place for one week or one month.

Default setting: Off.

Valve clogging detection

If actuation stops before the desired value is reached, the actuator moves back ready to make a new attempt. The actuator will move to the configured error safe position after three attempts.

Default setting: On.

Error safe position

Fully extended or retracted position when following errors occur; low power, line break, valve clogging or stroke detection failure.

Default setting: Fully extended position.

Diagnostics/logging

The last 10 errors (low power, line break, valve clogging, stroke detection failure) with time stamps can be read using the HyTune app + TA-Dongle device. Logged errors will be cleared if the power is disconnected.

Delayed start-up

The actuator can be specified a delay (0 to 1275 sec.) before starting up after a power supply cut. This is useful when used with a control system that has itself a long start-up time.

Default setting: 0 seconds.

Fail-safe

Goes to a pre-defined position when power supply is lost. Pre-defined position settable to any position and delay before entering fail-safe mode after a power off settable between 0 and 10 seconds.

Default setting: Fully retracted and 2 seconds delay.

Going back to normal operation when power is back for more than a power supply stabilization delay settable between 1 and 5 seconds.

Default setting: 2 seconds.

Capacitor charge/health level of the fail-safe function is indicated by the colour of the fail-safe LED. A complete health check of the fail-safe function can be launched with the HyTune app.

Binary input

If the binary input circuit is open, the actuator will go to a set stroke, switch to a second stroke limitation setting or drive to its full stroke regardless of any limitations for flushing purpose. See also Change-over system detection.

Default setting: Off

Change-over system detection

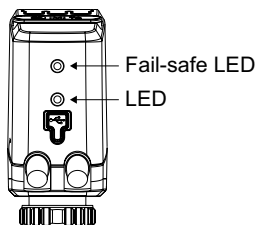
Switching between two different stroke limitation settings by toggling the binary input or using the dual-range input signal.

LED indication

	Status	Red (heating) / Blue (cooling)
	— — — —	Long pulse - Short pulse
	— — — —	Short pulse - Long pulse
	— — — —	Long pulses
	— — — —	Short pulses
	— — — —	2 short pulses
		Off

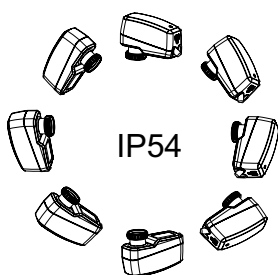
	Error code	Violet
	- - -	1 pulse
	- - - -	2 pulses
	- - - -	3 pulses
	- - - -	4 pulses

If an error is detected, violet pulses are displayed as the red or blue status lights flash alternately. More detailed information, please see the HyTune app + TA-Dongle.

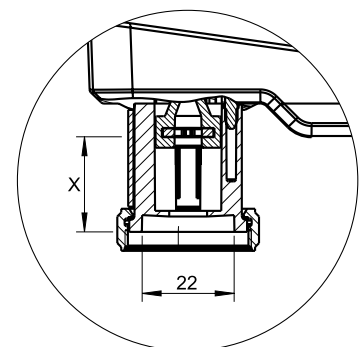
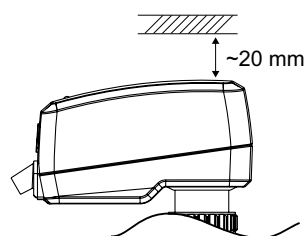


Fail-safe LED	Capacitor charge
Green	Good
Orange	Partial, fail-safe operation still possible
Red	Too low, fail-safe operation not assured

Installation

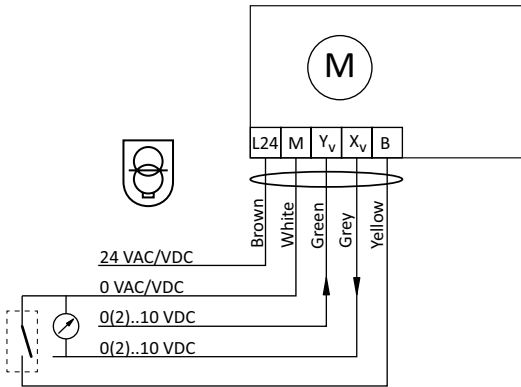
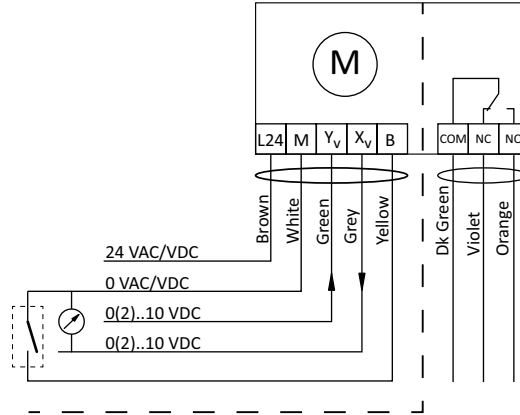


Note!



X = 10.0 - 16.9

Connection diagram

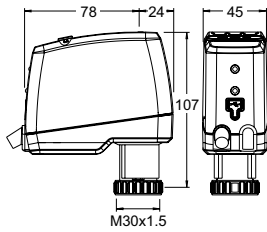
TA-Slider 500 Fail-safe I/O

TA-Slider 500 Fail-safe R24


Terminal	Description
L24	Power supply 24 VAC/VDC
M	Neutral for power supply 24 VAC/VDC and signals.
Y_v	Input signal for proportional control 0(2)-10 VDC, 47 k Ω
X_v	Output signal 0(2)-10 VDC, max. 8 mA or min. load resistance 1.25 k Ω
B	Connection for potential free contact (e.g. open window detection), max. 100 Ω , max. 10 m cable or shielded
COM	R24: Common relay contact, max. 1A @ 30 VAC/VDC on resistive load.
NC	Normally closed contact for relay
NO	Normally open contact for relay



24 VAC/VDC operating only with safety transformer according to EN 61558-2-6.

Articles – TA-Slider 500 Fail-safe I/O



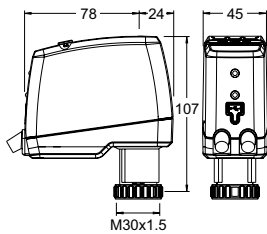
TA-Slider 500 Fail-safe I/O

Input signal: 0(2)-10 VDC

With binary input, VDC output signal

Cable length [m]	Supply voltage	EAN	Article No
With halogen free cable			
1	24 VAC/VDC	5902276898761	322225-10614
2	24 VAC/VDC	5902276898778	322225-10615
5	24 VAC/VDC	5902276898785	322225-10616

Articles – TA-Slider 500 Fail-safe R24



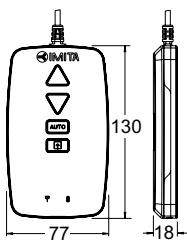
TA-Slider 500 Fail-safe R24

Input signal: 0(2)-10 VDC

With binary input, VDC output signal and relay 24V

Cable length [m]	Supply voltage	EAN	Article No
With halogen free cable			
1	24 VAC/VDC	5902276898792	322225-10714
2	24 VAC/VDC	5902276898808	322225-10715
5	24 VAC/VDC	5902276898815	322225-10716

Additional equipment



TA-Dongle

For Bluetooth communication with the HyTune app, transfer configuration settings and manual override.

EAN	Article No
5901688828632	322228-00001



The products, texts, photographs, graphics and diagrams in this document may be subject to alteration by IMI without prior notice or reasons being given. For the most up to date information about our products and specifications, please visit climatecontrol.imiplc.com.