

**Climate  
Control**

**IMI TA**

# TA-Slider 160



## **Actuators**

Digitally configurable proportional push actuator –  
160/200 N

# TA-Slider 160

Digitally configurable actuators with or without change-over, and a wide range of setup options provide extensive flexibility for on-site parameter adaptation. Fully programmable binary input, relay and adjustable max. stroke of the valve bring new opportunities for advanced hydronic control and balancing.



## Key features

### Convenient, reliable setup

Fully customisable by smartphone via Bluetooth using a TA-Dongle.

### Fully configurable

More than 200 setup options allow input and output signals, binary input, relay, characteristics and many other parameters to be configured.

### Easy diagnostics

Tracks the last 10 errors to allow system faults to be found quickly.

### Quick copying of settings

Setup configuration can be copied quickly from the TA-Dongle to identical TA-Slider actuators.

## Technical description

### Functions:

Proportional control  
 Manual override (TA-Dongle)  
 Stroke detection  
 Self-adjusting force  
 Mode, status and position indication  
 Stroke limitation setting  
 Minimum stroke setting  
 Valve blockage protection  
 Valve clogging detection  
 Error safe position  
 Diagnostic/Logging  
 Delayed start-up

### I/O version:

+ 1 binary input, max. 100 Ω, cable max. 10 m or shielded.  
 + Output signal

### Plus version:

+ 1 binary input, max. 100 Ω, cable max. 10 m or shielded.  
 + 1 relay, max. 5A, 30 VDC/250 VAC on resistive load  
 + Output signal

### CO (change-over) version:

+ 1 binary input, max. 100 Ω, cable max. 10 m or shielded.  
 + 1 relay, internally wired for control of TA-M106 actuator on TA-6-way valve (max. 2A, 30 VAC on resistive load).  
 + Output signal

### Supply voltage:

24 VAC/VDC ±15%.  
 Frequency 50/60 Hz ±3 Hz.  
 CO version:  
 24 VAC ±15%.  
 Frequency 50/60 Hz ±3 Hz.

### Power consumption:

Operation: < 1.0 VA (VAC); < 0.6 W (VDC)  
 Standby: < 0.5 VA (VAC); < 0.25 W (VDC)  
 I/O, CO versions:  
 Operation: < 1.3 VA (VAC); < 0.7 W (VDC)  
 Standby: < 0.5 VA (VAC); < 0.25 W (VDC)  
 Plus version:  
 Operation: < 1.8 VA (VAC); < 1.0 W (VDC)  
 Standby: < 0.5 VA (VAC); < 0.25 W (VDC)  
 CO version: TA-M106 actuator consumption must be added separately.

### Input signal:

0(2)-10 VDC, R<sub>i</sub> 47 kΩ.  
 Adjustable hysteresis sensitivity  
 0.1-0.5 VDC.  
 0.33 Hz low pass filter.  
 Proportional:  
 0-10, 10-0, 2-10 or 10-2 VDC.  
 Proportional split-range:  
 0-5, 5-0, 5-10 or 10-5 VDC.  
 0-4.5, 4.5-0, 5.5-10 or 10-5.5 VDC.  
 2-6, 6-2, 6-10 or 10-6 VDC.  
 Proportional dual-range (for change-over):  
 0-3.3 / 6.7-10 VDC,  
 2-4.7 / 7.3-10 VDC,  
 0-4.5 / 5.5-10 VDC or  
 2-5.5 / 6.5-10 VDC.  
 Default setting: Proportional 0-10 VDC.

### Output signal:

I/O, Plus, CO versions:  
 0(2)-10 VDC, max. 8 mA, min. 1.25 kΩ.  
 Ranges: See "Input signal".  
 Default setting: Proportional 0-10 VDC.

### Characteristics:

Linear, EQM 0.25 and inverted EQM 0.25.  
 Default setting: Linear.

### Control speed:

10 s/mm

### Adjusting force:

160/200 N  
 Self-adjusting for IMI TA/IMI Heimeier valves.

### Temperature:

Media temperature: max. 120°C  
 Operating environment: 0°C – +50°C  
 (5-95%RH, non-condensing)  
 Storage environment: -20°C – +70°C  
 (5-95%RH, non-condensing)

### Ingress protection:

IP54 (all directions)  
 (according to EN 60529)

### Protection class:

(according to EN 61140)  
 III (SELV) TA-Slider 160, 160 I/O, 160 CO  
 II TA-Slider 160 Plus (protective insulation)

**Cable:**

1, 2 or 5 m. With wire end sleeves.  
 Halogen free as option, fire class B2<sub>ca</sub> – s1a, d1, a1 according to EN 50575.  
 TA-Slider 160: type LiYY, 3x0.25 mm<sup>2</sup>.  
 TA-Slider 160 I/O: type LiYY, 5x0.25 mm<sup>2</sup>.  
 TA-Slider 160 Plus: type LiYY, 5x0.25 mm<sup>2</sup> and relay cable type H03VV-F, 3x0.75 mm<sup>2</sup>, with wire end sleeves.  
 TA-Slider 160 CO: type LiYY, 5x0.25 mm<sup>2</sup> and relay cable type LiYY, 3x0.34 mm<sup>2</sup>, with connector to actuator TA-M106.

**Stroke:**

6,9 mm. Automatic detection of the valve lift (stroke detection).

**Noise level:**

Max. 30 dBA

**Weight:**

TA-Slider 160, I/O:  
 0.20 kg, 1 m cable.  
 0.25 kg, 2 m cable.  
 0.38 kg, 5 m cable.  
 TA-Slider 160 Plus:  
 0.28 kg, 1 m cables.  
 0.38 kg, 2 m cables.  
 0.67 kg, 5 m cables.  
 TA-Slider 160 CO:  
 0.32 kg, 1 m/1.5 m cables.  
 0.37 kg, 2 m/1.5 m cables.  
 0.50 kg, 5 m/1.5 m cables.

**Connection to valve:**

Swivelling nut M30x1,5.

**Material:**

Cover: PC/ABS GF8  
 Housing: PA GF40.  
 Swivelling nut: Nickel-plated brass.

**Colour:**

White RAL 9016, grey RAL 7047.

**Marking:**

Label: IMI TA, CE, product name, article No. and technical specification.

**Certification CE:**

LV-D. 2014/35/EU: EN 60730-1, -2-14.  
 EMC-D. 2014/30/EU: EN 60730-1, -2-14.  
 RoHS-D. 2011/65/EU: EN 63000.

**Product standard:**

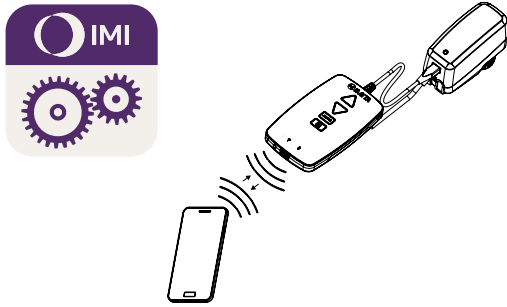
EN 60730.

## Function

### Setting

The actuator can be set by the HyTune app (iOS version 16 or later, Android version 9 or later) + the TA-Dongle device, with or without the actuator power supplied.

The setting configuration can be stored in the TA-Dongle for setting of one or several actuators. Connect the TA-Dongle to the actuator and press the configuration button. HyTune can be downloaded from the App Store or Google Play.



### Manual override

By using the TA-Dongle device. No power supply needed.

### Calibration/Stroke detection

According to selected settings in the table.

Type of calibration	At power on	After manual override
Both end positions (full)	√ *	√
Fully extended position (fast)	√	√ *
None	√	

\*) Default

**Note:** A calibration refresh can be automatically repeated monthly or weekly.  
Default setting: Off.

### Self-adjusting force

Automatic valve type detection, the force is set to 160 or 200 N for IMI TA/IMI Heimeier valves.  
Default setting: On.

### Stroke limitation setting

A maximum stroke smaller than or equal to the detected valve lift can be set to the actuator.

For some IMI TA/IMI Heimeier valves it can also be set to a  $Kv_{max}/q_{max}$ .

Default setting: No stroke limitation (100%).

### Minimum stroke setting

The actuator can be set with a minimum stroke below which it will not go (except for calibration).

For some IMI TA/IMI Heimeier valves, it can also be set to a  $q_{min}$ .  
Default setting: No minimum stroke (0%).

### Valve blockage protection

The actuator will perform a quarter of a full stroke and then back to desired value if no actuation takes place for one week or one month.

Default setting: Off.

### Valve clogging detection

If actuation stops before the desired value is reached, the actuator moves back ready to make a new attempt. The actuator will move to the configured error safe position after three attempts.

Default setting: On.

### Error safe position

Fully extended or retracted position when following errors occur; low power, line break, valve clogging or stroke detection failure.

Default setting: Fully extended position.

### Diagnostics/logging

The last 10 errors (low power, line break, valve clogging, stroke detection failure) with time stamps can be read using the HyTune app + TA-Dongle device. Logged errors will be cleared if the power is disconnected.

### Delayed start-up

The actuator can be specified a delay (0 to 1275 sec.) before starting up after a power supply cut. This is useful when used with a control system that has itself a long start-up time.

Default setting: 0 seconds.

### I/O, Plus and CO versions:

#### Binary input

If the binary input circuit is open, the actuator will go to a set stroke, switch to a second stroke limitation setting or drive to its full stroke regardless of any limitations for flushing purpose. See also Change-over system detection.

Default setting: Off

#### Change-over system detection

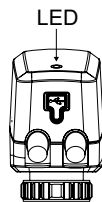
Switching between two different stroke limitation settings by toggling the binary input or using the dual-range input signal.

## LED indication

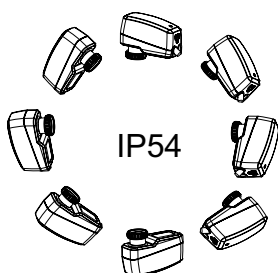
		Status	Red (heating) / Blue (cooling)
		Fully retracted (actuator stem)	Long pulse - Short pulse
		Fully extended (actuator stem)	Short pulse - Long pulse
		Intermediate position	Long pulses
		Moving	Short pulses
		Calibrating	2 short pulses
		Manual mode or no power supply	Off

		Error code	Violet
		Power supply too low	1 pulse
		Line broken (2-10 V)	2 pulses
		Valve clogging or foreign object	3 pulses
		Stroke detection failure	4 pulses

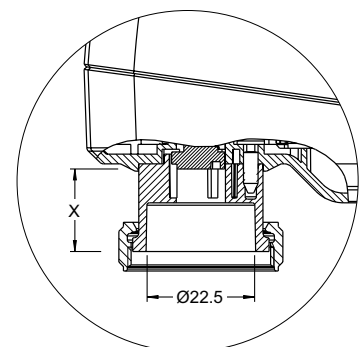
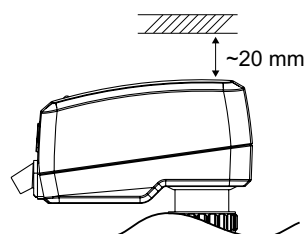
If an error is detected, violet pulses are displayed as the red or blue status lights flash alternately. More detailed information, please see the HyTune app + TA-Dongle.



## Installation

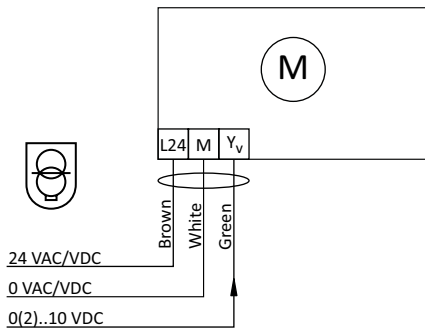
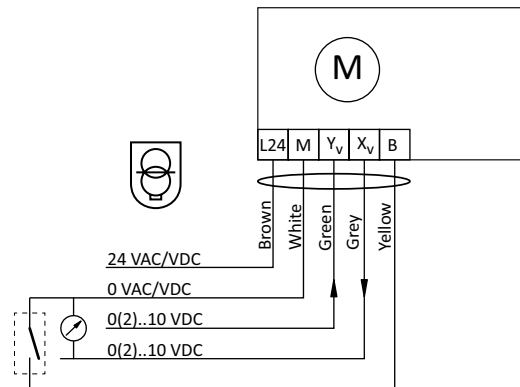
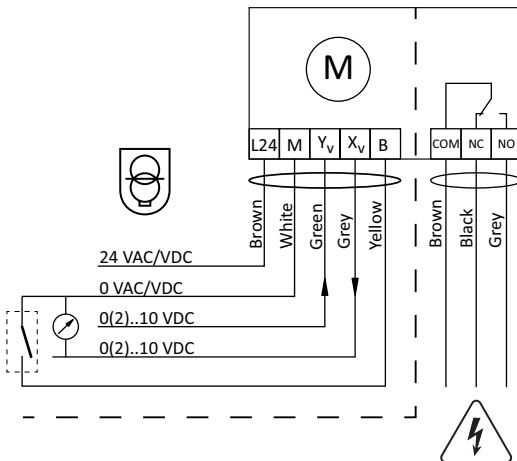


### Note!



X = 10.0 - 16.9

## Connection diagram

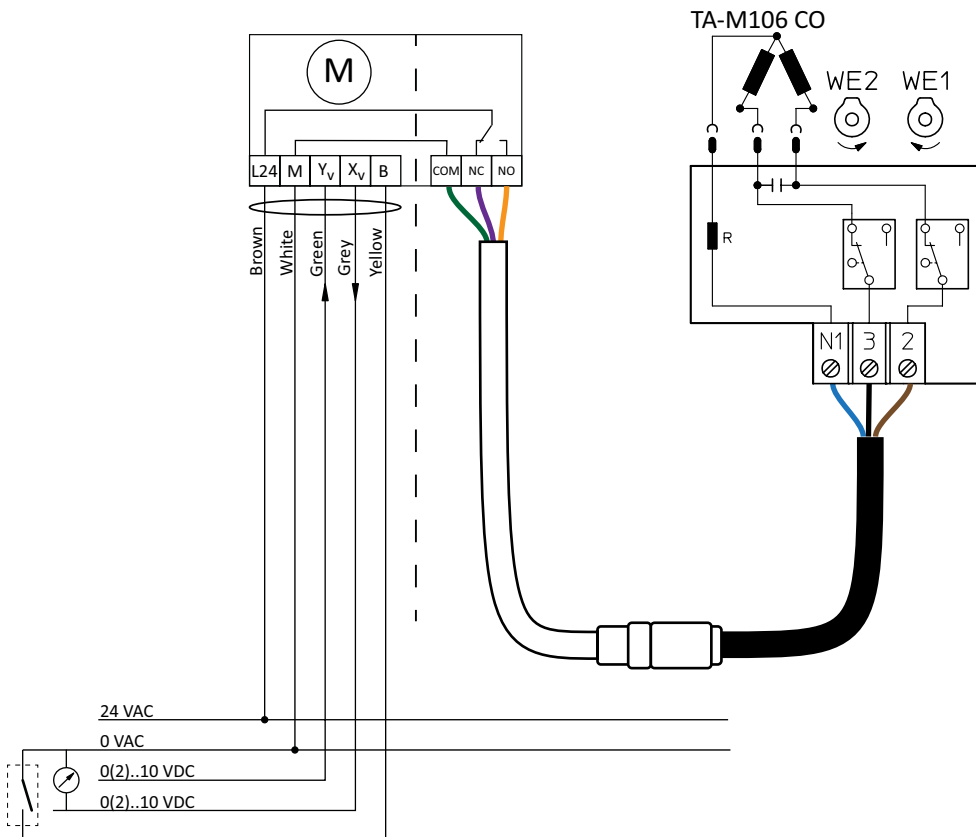
**TA-Slider 160**

**TA-Slider 160 I/O**

**TA-Slider 160 Plus**


Terminal	Description
L24	Power supply 24 VAC/VDC (CO: 24 VAC)
M	Neutral for power supply 24 VAC/VDC (CO: 24 VAC) and signals.
Y <sub>v</sub>	Input signal for proportional control 0(2)-10 VDC, 47 kΩ
X <sub>v</sub>	Output signal 0(2)-10 VDC, max. 8 mA or min. load resistance 1.25 kΩ
B	Connection for potential free contact (e.g. open window detection), max. 100 Ω, max. 10 m cable or shielded
COM	Common relay contact; Plus: max. 250 VAC, max. 5A @ 250 VAC on resistive load, max. 5A @ 30 VDC on resistive load. CO: to connect TA-M106 actuator
NC	Normally closed contact for relay
NO	Normally open contact for relay



24 VAC/VDC operating only with safety transformer according to EN 61558-2-6.

**TA-Slider 160 CO**

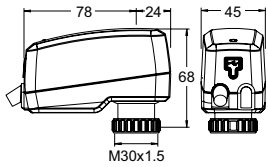


Terminal	Description
L24	Power supply 24 VAC/VDC (CO: 24 VAC)
M	Neutral for power supply 24 VAC/VDC (CO: 24 VAC) and signals.
Y <sub>v</sub>	Input signal for proportional control 0(2)-10 VDC, 47 kΩ
X <sub>v</sub>	Output signal 0(2)-10 VDC, max. 8 mA or min. load resistance 1.25 kΩ
B	Connection for potential free contact (e.g. open window detection), max. 100 Ω, max. 10 m cable or shielded
COM	Common relay contact; Plus: max. 250 VAC, max. 5A @ 250 VAC on resistive load, max. 5A @ 30 VDC on resistive load. CO: to connect TA-M106 actuator
NC	Normally closed contact for relay
NO	Normally open contact for relay



24 VAC/VDC operating only with safety transformer according to EN 61558-2-6.

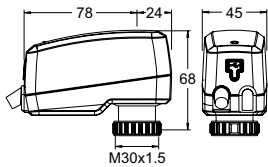
## Articles – TA-Slider 160



**TA-Slider 160**  
Input signal: 0(2)-10 VDC

Cable length [m]	Supply voltage	EAN	Article No
1	24 VAC/VDC	5901688828397	322224-10111
2	24 VAC/VDC	5901688828403	322224-10112
5	24 VAC/VDC	5901688828410	322224-10113
<b>With halogen free cable</b>			
1	24 VAC/VDC	5901688828427	322224-10114
2	24 VAC/VDC	5901688828434	322224-10115
5	24 VAC/VDC	5902276883323	322224-10116

## Articles – TA-Slider 160 I/O

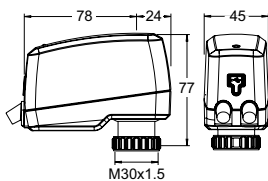


**TA-Slider 160 I/O**  
Input signal: 0(2)-10 VDC

With binary input, VDC output signal

Cable length [m]	Supply voltage	EAN	Article No
1	24 VAC/VDC	5902276895951	322224-10411
2	24 VAC/VDC	5902276895968	322224-10412
5	24 VAC/VDC	5902276895975	322224-10413
<b>With halogen free cable</b>			
1	24 VAC/VDC	5902276895982	322224-10414
2	24 VAC/VDC	5902276895999	322224-10415
5	24 VAC/VDC	5902276896002	322224-10416

## Articles – TA-Slider 160 Plus

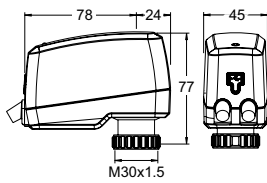


**TA-Slider 160 Plus**  
Input signal: 0(2)-10 VDC

With binary input, relay, VDC output signal

Cable length [m]	Supply voltage	EAN	Article No
1	24 VAC/VDC	5902276883330	322224-10211
2	24 VAC/VDC	5902276883347	322224-10212
5	24 VAC/VDC	5902276883354	322224-10213
<b>With halogen free cable</b>			
1	24 VAC/VDC	5902276883361	322224-10214
2	24 VAC/VDC	5902276883378	322224-10215
5	24 VAC/VDC	5902276883385	322224-10216

## Articles – TA-Slider 160 CO



### TA-Slider 160 CO

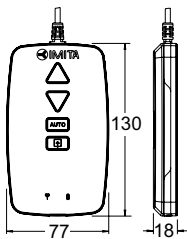
Input signal: 0(2)-10 VDC

With binary input, relay with connector to TA-M106 actuator, VDC output signal

Cable length [m]	Relay cable length* [m]	EAN	Article No
1	1,5	5901688823477	322224-10511
2	1,5	5901688823484	322224-10512
5	1,5	5901688823491	322224-10513
<b>With halogen free cable</b>			
1	1,5	5901688823507	322224-10514
2	1,5	5901688823514	322224-10515
5	1,5	5901688823521	322224-10516

\*) 1,5 m cable length for TA-M106 gives a total cable length of 3 m for all models.

## Additional equipment



### TA-Dongle

For Bluetooth communication with the HyTune app, transfer configuration settings and manual override.

EAN	Article No
5901688828632	322228-00001



The products, texts, photographs, graphics and diagrams in this document may be subject to alteration by IMI without prior notice or reasons being given. For the most up to date information about our products and specifications, please visit [climatecontrol.imiplc.com](http://climatecontrol.imiplc.com).