

■ **Model SZK : Rc Thread**
AKSZK : NPT Thread

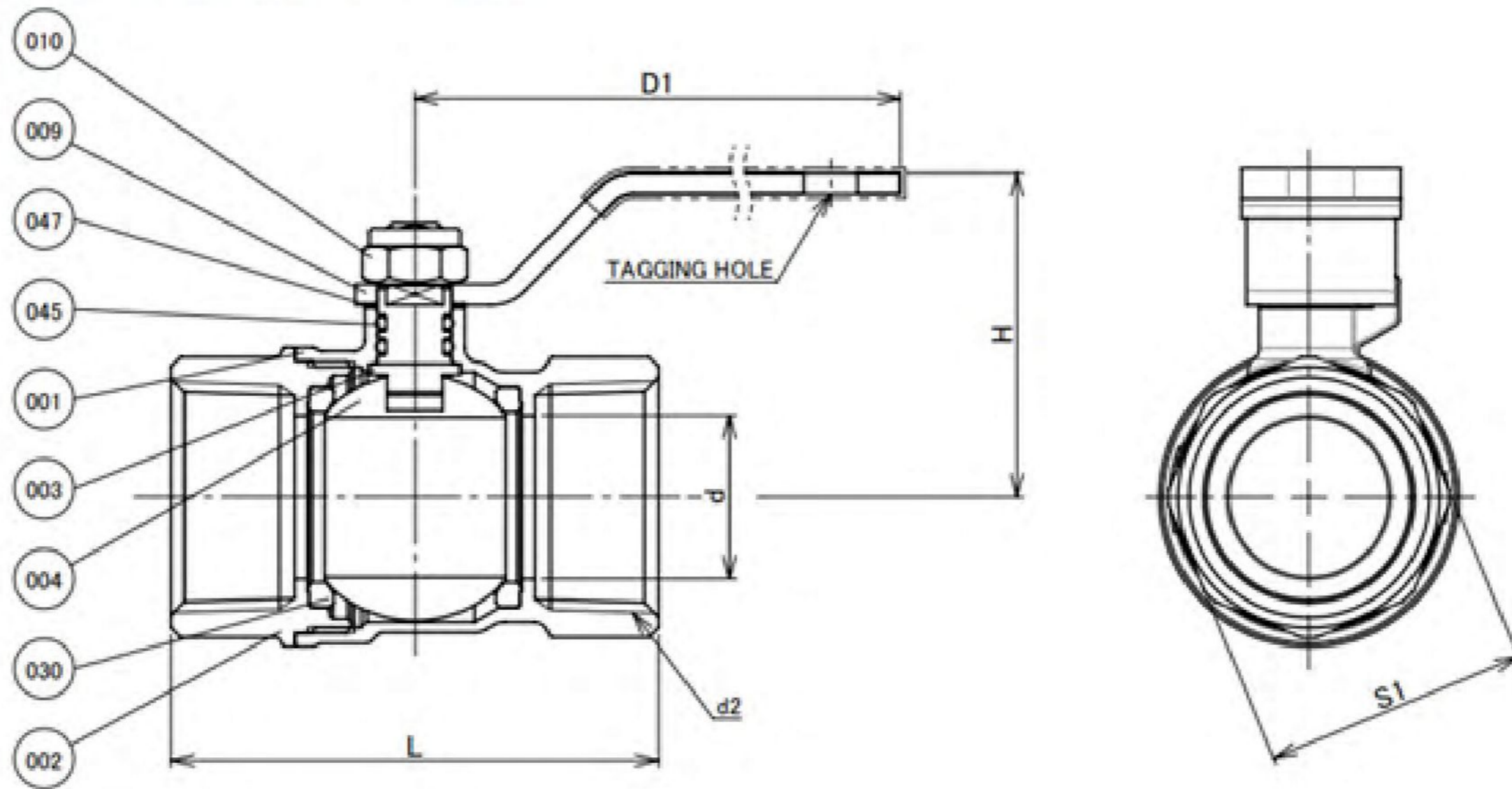
■ **Specification**

- Size Range : DN 15-DN 50 (1/2" - 2")
- Pressure : 3.0 MPa
- Temperature : -10 ~ 100 °C
- Fluid : Water / Air

※This valve is not designed to handle toxic gases.
 Use specially designed or certified valves for flammable gas service.

■ **Main parts material**

No.	Parts name	Material	Coating
001	Body	Brass C3771BE	-
002	Cap	Brass C3771BE	-
003	Stem	Brass C3604BD	Ni
004	Ball	Brass C3771BE	Ni-Cr
009	Lever	SPCC	-
010	U nut (M8)	SS400	-
030	Ball seat	PTFE	-
045	O ring	FKM	-
047	Thrust washer	PBT	-



■ **Dimension Table**

Unit : mm.

Dominal Size		d	d2		H	D1	L	S1
A	B		Rc	NPT				
15	1/2	14	Rc 1/2	NPT 1/2	38	80	48	24
20	3/4	18.5	Rc 3/4	NPT 3/4	41	80	55	30
25	1	23.5	Rc 1	NPT 1	47	110	62	36
32	1 1/4	29	Rc 1 1/4	NPT 1 1/4	52	110	75	46
40	1 1/2	37	Rc 1 1/2	NPT 1 1/2	60	150	82	52
50	2	47	Rc 2	NPT 2	69	150	101	65