

ASME 150/200 psi Design

200DJ

EN PN16 Design

PN16DJ

EN PN25 Design

PN25DJ E

JIS 10K Design

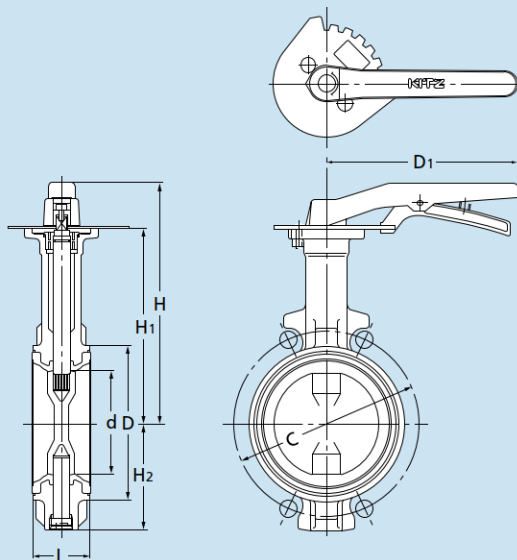
10DJ

JIS 16K Design

16DJ

of product coding
are disc and seat
material coding

Please refer to page 1.



ASME 200 psi • EN PN16 • EN PN25 • JIS 10K • JIS 16K Design Dimensions

(mm)

Nominal Size	inch	mm	d	H	H1	H2	L	D	C					D1
									ASME 200	EN PN16	EN PN25	JIS 10K	JIS 16K	
2	50	50	50	191	147	67	43	90	120.5	125	125	120	120	180
2½	65	65	65	199	155	75	46	104	139.5	145	145	140	140	180
3	80	80	80	217	173	91	46	124	152.5	160	160	150	160	180
4	100	100	100	227	183	101	52	146	190.5	180	190	175	185	180
5	125	125	125	265	211	127	56	176	216	210	220	210	225	230
6	150	150	150	277	223	139	56	206	241.5	240	250	240	260	230
8	200	197	197	295	248	169	60	257	298.5	295	—	290	305	350

* EN PN25 is from DN50 to DN150.

* EN PN25 is EPDM Seat only.