

## 10K CAST STAINLESS STEEL, GATE VALVES

KITZ Fig: UEB

Sizes: 1/2-3inch(15-80mm)

SCREWED BONNET, INSIDE SCREW, NON RISING STEM, FLANGED ENDS.

Standards

. End to End: JIS B2011 (4)

. End Connection: JIS B2220 10K

. Wall Thickness: KITZ STANDARD

Test Standard

. KITZ STANDARD

Conform to

RoHS, JV 15-80 mm (1/2-3 inch)

approved

Dimensions

| SIZE (inch/mm) | L  | L1    | H   | D1    | Kg    |      |
|----------------|----|-------|-----|-------|-------|------|
| 1/2            | 15 | 85.0  | 0.0 | 99.0  | 70.0  | 0.00 |
| 3/4            | 20 | 95.0  | 0.0 | 105.0 | 70.0  | 0.00 |
| 1              | 25 | 100.0 | 0.0 | 116.0 | 80.0  | 0.00 |
| 1 1/4          | 32 | 110.0 | 0.0 | 128.0 | 80.0  | 0.00 |
| 1 1/2          | 40 | 125.0 | 0.0 | 170.0 | 100.0 | 0.00 |
| 2              | 50 | 140.0 | 0.0 | 188.0 | 100.0 | 0.00 |
| 2 1/2          | 65 | 170.0 | 0.0 | 248.0 | 135.0 | 0.00 |
| 3              | 80 | 190.0 | 0.0 | 275.0 | 155.0 | 0.00 |

Material List

| NAME OF PART | MATERIAL        | SPECIFICATION       |
|--------------|-----------------|---------------------|
| BODY         | STAINLESS STEEL | A351 Gr. CF8/SCS13A |
| BONNET       | STAINLESS STEEL | A351 Gr. CF8/SCS13A |
| STEM         | STAINLESS STEEL | 304SS               |
| DISC         | STAINLESS STEEL | A351 Gr. CF8/SCS13A |

Specifications

10K CAST STAINLESS STEEL, GATE VALVES, SCREWED BONNET, INSIDE SCREW, NON RISING STEM, FLANGED ENDS.

End to End : JIS B2011 (4), End Connection : JIS B2220 10K, Wall

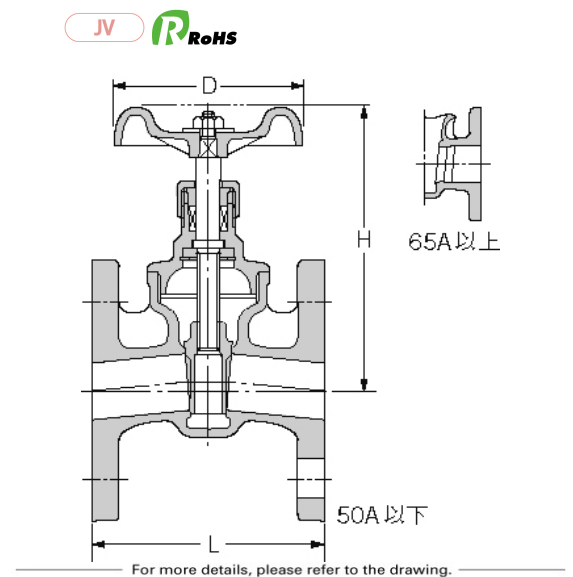
Thickness : KITZ STANDARD, Test Standard : KITZ STANDARD, Sizes :

1/2-3inch(15-80mm), Conform to : RoHS, JV 15-80 mm (1/2-3

inch), BODY MATERIAL : STAINLESS STEEL, BONNET MATERIAL : STAINLESS

STEEL, STEM MATERIAL : STAINLESS STEEL, DISC MATERIAL : STAINLESS

STEEL, KITZ Fig : UEB



Pressure-temperature ratings and other performance data published in this catalog have been developed from our design calculation, in-house testing, field reports provided by our customers and/or published official standards or specifications. They are good only to cover typical applications as a general guideline to users of KITZ products introduced in this catalog. For any specific application, users are kindly requested to contact KITZ Corporation for technical advice, or to carry out their own study and evaluation for proving suitability of these products to such an application. Failure to follow this request could result in property damage and/or personal injury, for which we shall not be liable. Read instruction manual carefully before use.

# KITZ

KITZ CORPORATION Tokyo Shiodome Building, 1-9-1, Higashi-Shimbashi, Minato-ku, Tokyo 105-7305, Japan  
© KITZ Corporation. All Right Reserved.

ISO 9001  
CERTIFIED  
Since 1989

●Bシリーズ

単位 MPa

| 流体の状態<br>呼び圧力 | 温度 | W      | G <sub>1</sub> | G <sub>2</sub> |
|---------------|----|--------|----------------|----------------|
|               |    | 120℃以下 | 150℃以下         | 180℃           |
| 5K            |    | 0.7    | 0.5            | —              |
| 10K           |    | 1.4    | 1.1            | 1.0            |
| 20K           |    | 2.0    | 1.2            | 1.0            |

【備考】 W: 圧力変動の少ない静流水のみ。

G<sub>1</sub>~G<sub>2</sub>: 蒸気、空気、不燃性ガス、油 (潤滑油→作動油) など。

注) BシリーズPTFEジスクリューグローブバルブを120℃以上で使用する場合は、当社までお問合せください。

Pressure-temperature ratings and other performance data published in this catalog have been developed from our design calculation, in-house testing, field reports provided by our customers and/or published official standards or specifications. They are good only to cover typical applications as a general guideline to users of KITZ products introduced in this catalog. For any specific application, users are kindly requested to contact KITZ Corporation for technical advice, or to carry out their own study and evaluation for proving suitability of these products to such an application. Failure to follow this request could result in property damage and/or personal injury, for which we shall not be liable. Read instruction manual carefully before use.



**KITZ CORPORATION** Tokyo Shiodome Building, 1-9-1, Higashi-Shimbashi, Minato-ku, Tokyo 105-7305, Japan  
© KITZ Corporation. All Right Reserved.

