

TYPE 400 FORGED BRASS BALL VALVE SCREWED ENDS

KITZ Fig: TN

Sizes: 1/4-3inch(8-80mm)

STANDARD BORE, 3-WAY 2-SEAT, L-PORT

Standards

. End to End: KITZ STANDARD

. End Connection: JIS B0203

. Wall Thickness: KITZ STANDARD

Test Standard

. KITZ STANDARD

Conform to

Lead Free 65-80 mm (2 1/2-3 inch)

approved

Dimensions

SIZE (inch/mm)	L	L1	H	D1	Kg
1/4 8	40.0	20.0	30.0	60.0	0.00
3/8 10	46.0	23.0	35.0	70.0	0.00
1/2 15	67.0	33.5	44.0	80.0	0.00
3/4 20	68.0	34.0	49.0	80.0	0.00
1 25	79.0	39.5	55.0	110.0	0.00
1 1/4 32	89.0	44.5	59.0	110.0	0.00
1 1/2 40	100.0	50.0	64.0	110.0	0.00
2 50	115.0	57.5	74.0	140.0	0.00
2 1/2 65	138.0	69.0	91.0	200.0	0.00
3 80	166.0	83.0	104.0	300.0	0.00

Material List

NAME OF PART	MATERIAL	SPECIFICATION
BODY	FORGED BRASS	CAC
BODY CAP	FORGED BRASS	C3771
STEM	BRASS	C3531
BALL	FORGED BRASS	C3771

Specifications

TYPE 400 FORGED BRASS BALL VALVE SCREWED ENDS, STANDARD BORE, 3-WAY 2-SEAT, L-PORT

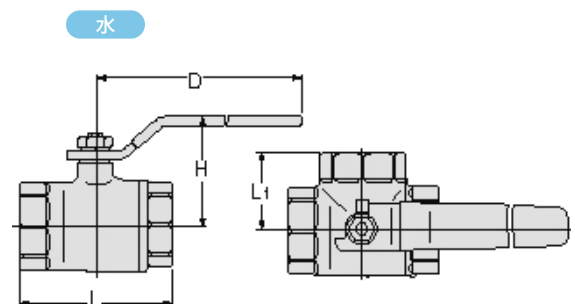
End to End : KITZ STANDARD, End Connection : JIS B0203, Wall

Thickness : KITZ STANDARD, Test Standard : KITZ STANDARD, Sizes :

1/4-3inch(8-80mm), Conform to : Lead Free 65-80 mm (2 1/2-3

inch), BODY MATERIAL : FORGED BRASS, BODY CAP MATERIAL : FORGED

BRASS, STEM MATERIAL : BRASS, BALL MATERIAL : FORGED BRASS, KITZ Fig : TN



● 切換フォームは26ページをご参照ください。

For more details, please refer to the drawing.

Pressure-temperature ratings and other performance data published in this catalog have been developed from our design calculation, in-house testing, field reports provided by our customers and/or published official standards or specifications. They are good only to cover typical applications as a general guideline to users of KITZ products introduced in this catalog. For any specific application, users are kindly requested to contact KITZ Corporation for technical advice, or to carry out their own study and evaluation for proving suitability of these products to such an application. Failure to follow this request could result in property damage and/or personal injury, for which we shall not be liable. Read instruction manual carefully before use.

KITZ

KITZ CORPORATION Tokyo Shiodome Building, 1-9-1, Higashi-Shimbashi, Minato-ku, Tokyo 105-7305, Japan
© KITZ Corporation. All Right Reserved.

ISO 9001
CERTIFIED
Since 1989