

10K CAST BRONZE BALL VALVE FLANGED ENDS

KITZ Fig: TB

Sizes: 1/2-4inch(15-100mm)

FULL BORE

Standards

- End to End: KITZ STANDARD
- End Connection: JIS B2240 10K
- Wall Thickness: KITZ STANDARD

Test Standard

- KITZ STANDARD

Dimensions

SIZE (inch/mm)	L	L1	H	D1	Kg	
1/2	15	110.0	0.0	85.0	130.0	0.00
3/4	20	120.0	0.0	88.0	130.0	0.00
1	25	130.0	0.0	95.0	160.0	0.00
1 1/4	32	140.0	0.0	98.0	160.0	0.00
1 1/2	40	165.0	0.0	115.0	230.0	0.00
2	50	180.0	0.0	121.0	230.0	0.00
2 1/2	65	190.0	0.0	152.0	400.0	0.00
3	80	200.0	0.0	161.0	400.0	0.00
4	100	230.0	0.0	190.0	460.0	0.00

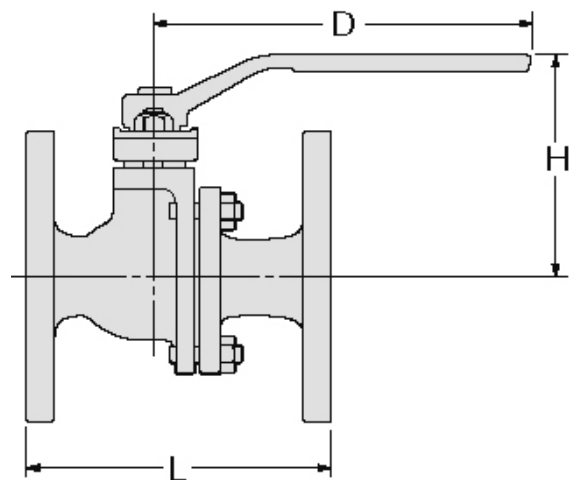
Material List

NAME OF PART	MATERIAL	SPECIFICATION
BODY	CAST BRONZE	CAC
BODY CAP	CAST BRONZE	CAC
STEM	BRASS	C3531
BALL	STAINLESS STEEL	C3771

Specifications

10K CAST BRONZE BALL VALVE FLANGED ENDS, FULL BORE

End to End : KITZ STANDARD, End Connection : JIS B2240 10K, Wall Thickness : KITZ STANDARD, Test Standard : KITZ STANDARD, Sizes : 1/2-4inch(15-100mm), BODY MATERIAL : CAST BRONZE, BODY CAP MATERIAL : CAST BRONZE, STEM MATERIAL : BRASS, BALL MATERIAL : STAINLESS STEEL, KITZ Fig : TB



For more details, please refer to the drawing.

Pressure-temperature ratings and other performance data published in this catalog have been developed from our design calculation, in-house testing, field reports provided by our customers and/or published official standards or specifications. They are good only to cover typical applications as a general guideline to users of KITZ products introduced in this catalog. For any specific application, users are kindly requested to contact KITZ Corporation for technical advice, or to carry out their own study and evaluation for proving suitability of these products to such an application. Failure to follow this request could result in property damage and/or personal injury, for which we shall not be liable. Read instruction manual carefully before use.

KITZ

KITZ CORPORATION Tokyo Shiodome Building, 1-9-1, Higashi-Shimbashi, Minato-ku, Tokyo 105-7305, Japan
© KITZ Corporation. All Right Reserved.

ISO 9001
CERTIFIED
Since 1989