

## CLASS 125 CAST BRONZE SWING CHECK VALVE SCREWED ENDS

KITZ Fig: R

Sizes: 3/8-4inch(10-100mm)

SCREWED CAP.

Standards

- . End to End: KITZ STANDARD
- . End Connection: JIS B0203
- . Wall Thickness: KITZ STANDARD

Test Standard

- . KITZ STANDARD

Dimensions

SIZE (inch/mm)	L	L1	H	D1	Kg
3/8 10	53.0	0.0	39.0	0.0	0.00
1/2 15	60.0	0.0	39.0	0.0	0.00
3/4 20	70.0	0.0	45.0	0.0	0.00
1 25	80.0	0.0	52.0	0.0	0.00
1 1/4 32	92.0	0.0	62.0	0.0	0.00
1 1/2 40	102.0	0.0	67.0	0.0	0.00
2 50	122.0	0.0	79.0	0.0	0.00
2 1/2 65	150.0	0.0	91.0	0.0	0.00
3 80	165.0	0.0	102.0	0.0	0.00
4 100	195.0	0.0	119.0	0.0	0.00

Material List

NAME OF PART	MATERIAL	SPECIFICATION
BODY	CAST BRONZE	CAC
DISC	FORGED BRASS	CAC

Specifications

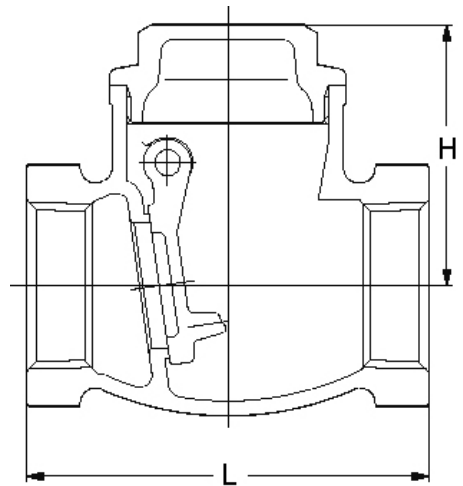
CLASS 125 CAST BRONZE SWING CHECK VALVE SCREWED ENDS, SCREWED CAP.

End to End : KITZ STANDARD, End Connection : JIS B0203, Wall

Thickness : KITZ STANDARD, Test Standard : KITZ STANDARD, Sizes :

3/8-4inch(10-100mm), BODY MATERIAL : CAST BRONZE, DISC MATERIAL : FORGED

BRASS, KITZ Fig : R



For more details, please refer to the drawing.

Pressure-temperature ratings and other performance data published in this catalog have been developed from our design calculation, in-house testing, field reports provided by our customers and/or published official standards or specifications. They are good only to cover typical applications as a general guideline to users of KITZ products introduced in this catalog. For any specific application, users are kindly requested to contact KITZ Corporation for technical advice, or to carry out their own study and evaluation for proving suitability of these products to such an application. Failure to follow this request could result in property damage and/or personal injury, for which we shall not be liable. Read instruction manual carefully before use.

# KITZ

KITZ CORPORATION Tokyo Shiodome Building, 1-9-1, Higashi-Shimbashi, Minato-ku, Tokyo 105-7305, Japan  
© KITZ Corporation. All Right Reserved.

ISO 9001  
CERTIFIED  
Since 1989