

KITZ Fig: G-PN16DJ

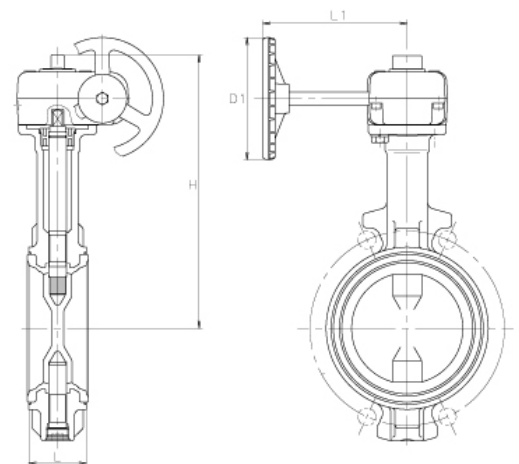
Sizes: 2-24inch(50-600mm)

Standards

- . End to End:
- . End Connection:
- . Wall Thickness:
- Test Standard

Dimensions

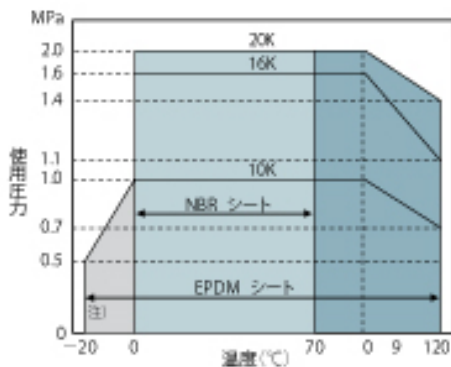
SIZE (inch/mm)	L	L1	H	D1	Kg
2	50				
2 1/2	65				
3	80				
4	100				
5	125				
6	150				
8	200				
10	250				
12	300				
14	350				
16	400				
18	450				
20	500				
24	600				



For more details, please refer to the drawing.

Specifications

Sizes : 2-24inch(50-600mm), ,KITZ Fig : G-PN16DJ



注) 常下仕様品についてはお問合せください。ただし、設備の稼働がないこと。

Pressure-temperature ratings and other performance data published in this catalog have been developed from our design calculation, in-house testing, field reports provided by our customers and/or published official standards or specifications. They are good only to cover typical applications as a general guideline to users of KITZ products introduced in this catalog. For any specific application, users are kindly requested to contact KITZ Corporation for technical advice, or to carry out their own study and evaluation for proving suitability of these products to such an application. Failure to follow this request could result in property damage and/or personal injury, for which we shall not be liable. Read instruction manual carefully before use.

