

10K CAST IRON BALL VALVE FLANGED ENDS WITH GEAR OPERATED

KITZ Fig: G-10FCTB

Sizes: 10-10inch(250-250mm)

FULL BORE.

Standards

- . End to End: KITZ STANDARD
- . End Connection: JIS B2239 10K
- . Wall Thickness: KITZ STANDARD

Test Standard

- . KITZ STANDARD

Approvals

MLIT 250 mm (10 inch)
approved

Dimensions

SIZE(inch/mm)	L	L1	H	D1	Kg
10 250	533.0	0.0	477.0	500.0	0.00

Material List

NAME OF PART	MATERIAL	SPECIFICATION
BODY	CAST IRON	FC200
BODY CAP	CAST IRON	FC200
STEM	STAINLESS STEEL	403SS
BALL	STAINLESS STEEL	A351 Gr. CF8/SCS13A

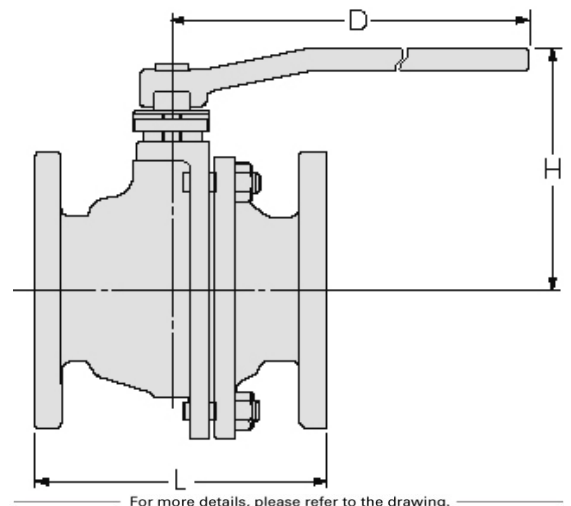
Specifications

10K CAST IRON BALL VALVE FLANGED ENDS WITH GEAR OPERATED, FULL BORE.

End to End : KITZ STANDARD, End Connection : JIS B2239 10K, Wall Thickness : KITZ STANDARD, Test Standard : KITZ STANDARD, Sizes : 10-10inch(250-250mm), Approvals : MLIT 250 mm (10 inch), BODY MATERIAL : CAST IRON, BODY CAP MATERIAL : CAST IRON, STEM MATERIAL : STAINLESS STEEL, BALL MATERIAL : STAINLESS STEEL, KITZ Fig : G-10FCTB



国士



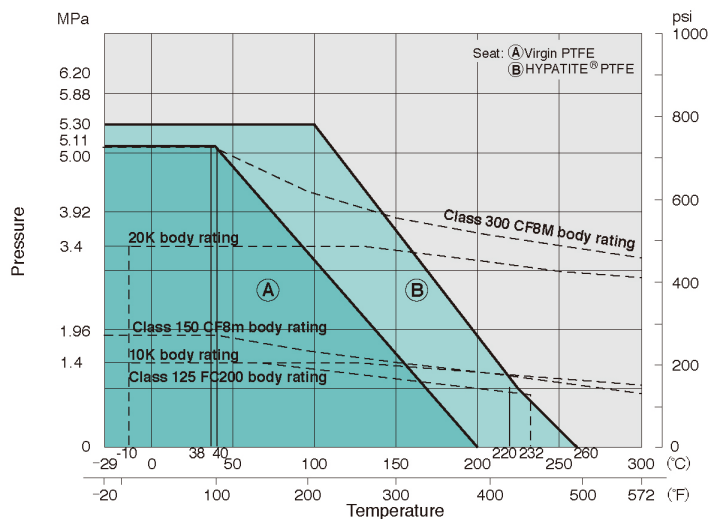
For more details, please refer to the drawing.

Pressure-temperature ratings and other performance data published in this catalog have been developed from our design calculation, in-house testing, field reports provided by our customers and/or published official standards or specifications. They are good only to cover typical applications as a general guideline to users of KITZ products introduced in this catalog. For any specific application, users are kindly requested to contact KITZ Corporation for technical advice, or to carry out their own study and evaluation for proving suitability of these products to such an application. Failure to follow this request could result in property damage and/or personal injury, for which we shall not be liable. Read instruction manual carefully before use.

KITZ

KITZ CORPORATION Tokyo Shiodome Building, 1-9-1, Higashi-Shimbashi, Minato-ku, Tokyo 105-7305, Japan
© KITZ Corporation. All Right Reserved.

ISO 9001
CERTIFIED
Since 1989



Pressure-temperature ratings and other performance data published in this catalog have been developed from our design calculation, in-house testing, field reports provided by our customers and/or published official standards or specifications. They are good only to cover typical applications as a general guideline to users of KITZ products introduced in this catalog. For any specific application, users are kindly requested to contact KITZ Corporation for technical advice, or to carry out their own study and evaluation for proving suitability of these products to such an application. Failure to follow this request could result in property damage and/or personal injury, for which we shall not be liable. Read instruction manual carefully before use.



KITZ CORPORATION Tokyo Shiodome Building, 1-9-1, Higashi-Shimbashi, Minato-ku, Tokyo 105-7305, Japan
© KITZ Corporation. All Right Reserved.

