

# 10K DUCTILE IRON WAFER TYPE BUTTERFLY VALVE WITH GEAR OPERATED

KITZ Fig: G-10DJUE

Sizes: 11/2-32inch(40-800mm)

Standards

- End to End: JIS B2002
- End Connection: WAFER TYPE (JIS 5K/10K)
- Wall Thickness: KITZ STANDARD

Test Standard

- KITZ STANDARD

Approvals

Lead Free 50-600 mm (2-24 inch)

Conform to

MLIT 40-600 mm (11/2-24 inch)

approved

Dimensions

| SIZE (inch/mm) | L     | L1    | H     | D1    | Kg   |
|----------------|-------|-------|-------|-------|------|
| 11/2 40        | 33.0  | 122.0 | 175.0 | 80.0  | 0.00 |
| 2 50           | 43.0  | 122.0 | 194.0 | 80.0  | 0.00 |
| 2 1/2 65       | 46.0  | 122.0 | 202.0 | 80.0  | 0.00 |
| 3 80           | 46.0  | 135.0 | 236.0 | 110.0 | 0.00 |
| 4 100          | 52.0  | 135.0 | 246.0 | 110.0 | 0.00 |
| 5 125          | 56.0  | 150.0 | 274.0 | 110.0 | 0.00 |
| 6 150          | 56.0  | 150.0 | 286.0 | 110.0 | 0.00 |
| 8 200          | 60.0  | 180.0 | 325.0 | 170.0 | 0.00 |
| 10 250         | 68.0  | 250.0 | 381.0 | 250.0 | 0.00 |
| 12 300         | 78.0  | 250.0 | 406.0 | 250.0 | 0.00 |
| 14 350         | 78.0  | 220.0 | 445.0 | 310.0 | 0.00 |
| 16 400         | 102.0 | 220.0 | 500.0 | 310.0 | 0.00 |
| 18 450         | 114.0 | 220.0 | 524.0 | 310.0 | 0.00 |
| 20 500         | 127.0 | 350.0 | 589.0 | 360.0 | 0.00 |
| 22 550         |       |       |       |       |      |
| 24 600         | 154.0 | 350.0 | 637.0 | 360.0 | 0.00 |
| 26 650         | 165.0 | 413.0 | 710.0 | 600.0 | 0.00 |
| 28 700         | 165.0 | 413.0 | 735.0 | 600.0 | 0.00 |
| 30 750         | 190.0 | 365.0 | 836.0 | 500.0 | 0.00 |
| 32 800         | 190.0 | 365.0 | 862.0 | 500.0 | 0.00 |

## Material List

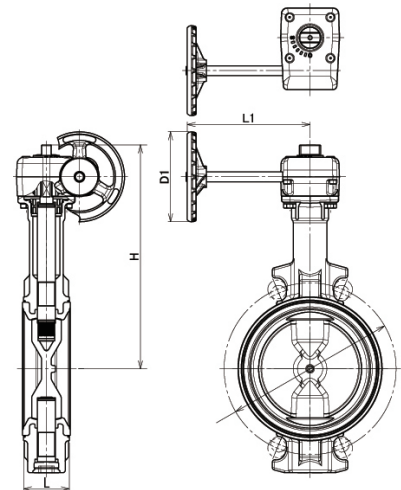
| NAME OF PART | MATERIAL          | SPECIFICATION  |
|--------------|-------------------|----------------|
| BODY         | DUCTILE IRON+EPDM | FCD450-10+EPDM |
| STEM         | STAINLESS STEEL   | SUS420J2Q      |
| SEAT RUBBER  | EPDM              | -              |

## Specifications

10K DUCTILE IRON WAFER TYPE BUTTERFLY VALVE WITH GEAR OPERATED

End to End : JIS B2002, End Connection : WAFER TYPE (JIS 5K/10K), Wall Thickness : KITZ STANDARD, Test Standard : KITZ STANDARD, Sizes : 11/2-32inch(40-800mm), Approvals : Lead Free

Pressure-temperature ratings and other performance data published in this catalog have been developed from our design calculation, in-house testing, field reports provided by our customers and/or published official standards or specifications. They are good only to cover typical applications as a general guideline to users of KITZ products introduced in this catalog. For any specific application, users are kindly requested to contact KITZ Corporation for technical advice, or to carry out their own study and evaluation for proving suitability of these products to such an application. Failure to follow this request could result in property damage and/or personal injury, for which we shall not be liable. Read instruction manual carefully before use.



For more details, please refer to the drawing.

# KITZ

KITZ CORPORATION Tokyo Shiodome Building, 1-9-1, Higashi-Shimbashi, Minato-ku, Tokyo 105-7305, Japan  
© KITZ Corporation. All Right Reserved.

ISO 9001  
CERTIFIED  
Since 1989

50-600 mm (2-24 inch), Conform to : MLIT 40-600 mm (1 1/2-24 inch), BODY MATERIAL : DUCTILE IRON+EPDM, STEM MATERIAL : STAINLESS STEEL, SEAT RUBBER MATERIAL : EPDM, KITZ Fig : G-10DJUE

Pressure-temperature ratings and other performance data published in this catalog have been developed from our design calculation, in-house testing, field reports provided by our customers and/or published official standards or specifications. They are good only to cover typical applications as a general guideline to users of KITZ products introduced in this catalog. For any specific application, users are kindly requested to contact KITZ Corporation for technical advice, or to carry out their own study and evaluation for proving suitability of these products to such an application. Failure to follow this request could result in property damage and/or personal injury, for which we shall not be liable. Read instruction manual carefully before use.

**KITZ**

**KITZ CORPORATION** Tokyo Shiodome Building, 1-9-1, Higashi-Shimbashi, Minato-ku, Tokyo 105-7305, Japan  
© KITZ Corporation. All Right Reserved.

**ISO 9001**  
**CERTIFIED**  
Since 1989