

10K CAST STAINLESS STEEL BUTTERFLY VALVE WAFER TYPE WITH GEAR OPERATED

KITZ Fig: GL-10UB

Sizes: 11/2-24inch(40-600mm)

Standards

- End to End: JIS B2002
- End Connection: WAFER TYPE (JIS 10K)
- Wall Thickness: ASME B16.34 CLASS 150

Test Standard

- KITZ STANDARD

Approvals

Lead Free 50-600 mm (2-24 inch)

Conform to

MLIT 50-600 mm (2-24 inch)

approved

Dimensions

SIZE (inch/mm)	L	L1	H	D1	Kg
11/2 40	33.0	150.0	202.0	110.0	0.00
2 50	43.0	150.0	192.0	140.0	0.00
2 1/2 65	46.0	150.0	202.0	140.0	0.00
3 80	46.0	195.0	226.0	170.0	0.00
4 100	52.0	195.0	240.0	170.0	0.00
5 125	56.0	204.0	261.0	200.0	0.00
6 150	56.0	204.0	283.0	200.0	0.00
8 200	71.0	280.0	348.0	310.0	0.00
10 250	76.0	310.0	416.0	360.0	0.00
12 300	83.0	310.0	443.0	360.0	0.00
14 350	92.0	358.0	474.0	500.0	0.00
16 400					
18 450	114.0	360.0	607.0	500.0	0.00
20 500					
24 600	154.0	371.0	757.0	500.0	0.00

Material List

NAME OF PART	MATERIAL	SPECIFICATION
BODY	STAINLESS STEEL	A351 Gr. CF8/SCS13A
STEM	STAINLESS STEEL	304SS

Specifications

10K CAST STAINLESS STEEL BUTTERFLY VALVE WAFER TYPE WITH GEAR OPERATED

End to End : JIS B2002, End Connection : WAFER TYPE (JIS 10K), Wall

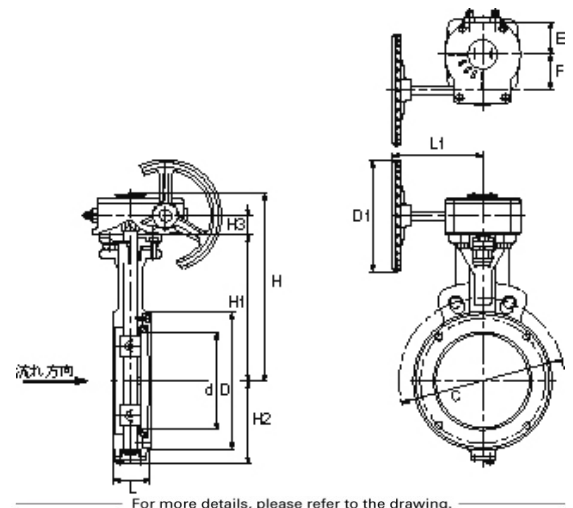
Thickness : ASME B16.34 CLASS 150, Test Standard : KITZ

STANDARD, Sizes : 11/2-24inch(40-600mm), Approvals : Lead Free

50-600 mm (2-24 inch), Conform to : MLIT 50-600 mm (2-24

inch), BODY MATERIAL : STAINLESS STEEL, STEM MATERIAL : STAINLESS

STEEL, KITZ Fig : GL-10UB



For more details, please refer to the drawing.

Pressure-temperature ratings and other performance data published in this catalog have been developed from our design calculation, in-house testing, field reports provided by our customers and/or published official standards or specifications. They are good only to cover typical applications as a general guideline to users of KITZ products introduced in this catalog. For any specific application, users are kindly requested to contact KITZ Corporation for technical advice, or to carry out their own study and evaluation for proving suitability of these products to such an application. Failure to follow this request could result in property damage and/or personal injury, for which we shall not be liable. Read instruction manual carefully before use.

KITZ

KITZ CORPORATION Tokyo Shiodome Building, 1-9-1, Higashi-Shimbashi, Minato-ku, Tokyo 105-7305, Japan
© KITZ Corporation. All Right Reserved.

ISO 9001
CERTIFIED
Since 1989