

KITZ Fig: B-10DJUE

Sizes: 11/2-24inch(40-600mm)

Standards

- . End to End:
- . End Connection:
- . Wall Thickness:
- . Test Standard

Dimensions

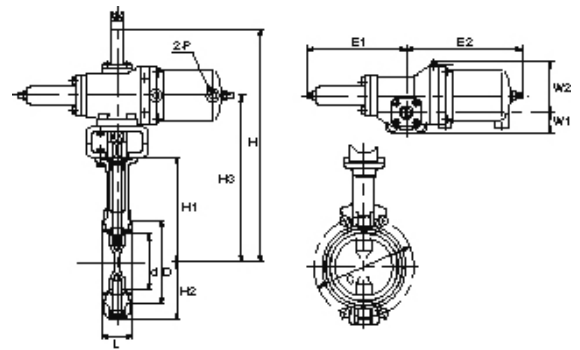
SIZE (inch/mm)	L	L1	H	D1	Kg
11/2 40					
2 50	43.0	0.0	374.0	0.0	0.00
2 1/2 65	46.0	0.0	382.0	0.0	0.00
3 80	46.0	0.0	420.0	0.0	0.00
4 100	52.0	0.0	445.0	0.0	0.00
5 125	56.0	0.0	473.0	0.0	0.00
6 150	56.0	0.0	485.0	0.0	0.00
8 200	60.0	0.0	570.0	0.0	0.00
10 250	68.0	0.0	709.0	0.0	0.00
12 300	78.0	0.0	734.0	0.0	0.00
14 350	78.0	0.0	817.0	0.0	0.00
16 400	102.0	0.0	908.0	0.0	0.00
18 450	114.0	0.0	932.0	0.0	0.00
20 500	127.0	0.0	1003.0	0.0	0.00
24 600	154.0	0.0	1051.0	0.0	0.00

Material List

NAME OF PART	MATERIAL	SPECIFICATION
BODY	DUCTILE IRON	FCD450-10
STEM	STAINLESS STEEL	SUS420J2
SEAT RUBBER	NBR	
SEAT RUBBER(3)	NBR	
SEAT RUBBER(4)	NBR	

Specifications

Sizes : 11/2-24inch(40-600mm), BODY MATERIAL : DUCTILE IRON, STEM MATERIAL : STAINLESS STEEL, SEAT RUBBER MATERIAL : NBR, SEAT RUBBER(3) MATERIAL : NBR, SEAT RUBBER(4) MATERIAL : NBR, KITZ Fig : B-10DJUE

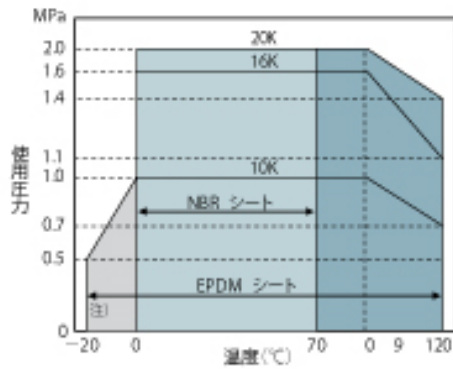


For more details, please refer to the drawing.

Pressure-temperature ratings and other performance data published in this catalog have been developed from our design calculation, in-house testing, field reports provided by our customers and/or published official standards or specifications. They are good only to cover typical applications as a general guideline to users of KITZ products introduced in this catalog. For any specific application, users are kindly requested to contact KITZ Corporation for technical advice, or to carry out their own study and evaluation for proving suitability of these products to such an application. Failure to follow this request could result in property damage and/or personal injury, for which we shall not be liable. Read instruction manual carefully before use.

KITZ CORPORATION Tokyo Shiodome Building, 1-9-1, Higashi-Shimbashi, Minato-ku, Tokyo 105-7305, Japan
© KITZ Corporation. All Right Reserved.

ISO 9001
CERTIFIED
Since 1989



Pressure-temperature ratings and other performance data published in this catalog have been developed from our design calculation, in-house testing, field reports provided by our customers and/or published official standards or specifications. They are good only to cover typical applications as a general guideline to users of KITZ products introduced in this catalog. For any specific application, users are kindly requested to contact KITZ Corporation for technical advice, or to carry out their own study and evaluation for proving suitability of these products to such an application. Failure to follow this request could result in property damage and/or personal injury, for which we shall not be liable. Read instruction manual carefully before use.



KITZ CORPORATION Tokyo Shiodome Building, 1-9-1, Higashi-Shimbashi, Minato-ku, Tokyo 105-7305, Japan
© KITZ Corporation. All Right Reserved.

