

## 16K DUCTILE IRON, BUTTERFLY VALVES

KITZ Fig: BS-16DJ

Sizes: 2-24inch(50-600mm)

WITH PNEUMATIC ACTUATOR, SPRING RETURN.

Standards

. End to End: JIS B2032 46 SERIES

. End Connection: WAFER TYPE (JIS 16K)

. Wall Thickness: KITZ STANDARD

Test Standard

. JIS B2032

Dimensions

SIZE (inch/mm)	L	L1	H	D1	Kg
2 50	43.0	0.0	374.0	0.0	0.00
2 1/2 65	46.0	0.0	382.0	0.0	0.00
3 80	46.0	0.0	435.0	0.0	0.00
4 100	52.0	0.0	445.0	0.0	0.00
5 125	56.0	0.0	533.0	0.0	0.00
6 150	56.0	0.0	545.0	0.0	0.00
8 200	60.0	0.0	653.0	0.0	0.00
10 250	68.0	0.0	709.0	0.0	0.00
12 300	78.0	0.0	792.0	0.0	0.00
14 350	78.0	0.0	853.0	0.0	0.00
16 400					
18 450	114.0	0.0	960.0	0.0	0.00
20 500					
24 600					

### Material List

NAME OF PART	MATERIAL	SPECIFICATION
BODY	DUCTILE IRON	FCD450-10
STEM	STAINLESS STEEL	SUS420J2
SEAT RUBBER	NBR	
SEAT RUBBER(4)	NBR	

### Specifications

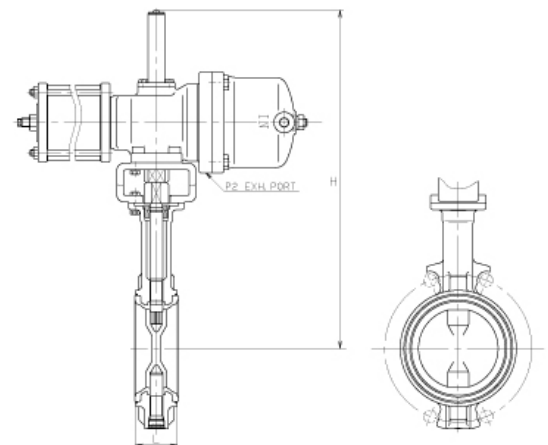
16K DUCTILE IRON, BUTTERFLY VALVES, WITH PNEUMATIC ACTUATOR, SPRING RETURN.

End to End : JIS B2032 46 SERIES, End Connection : WAFER TYPE (JIS 16K), Wall Thickness : KITZ STANDARD, Test Standard : JIS

B2032, Sizes : 2-24inch(50-600mm), BODY MATERIAL : DUCTILE

IRON, STEM MATERIAL : STAINLESS STEEL, SEAT RUBBER MATERIAL : NBR, SEAT

RUBBER(4) MATERIAL : NBR, KITZ Fig : BS-16DJ



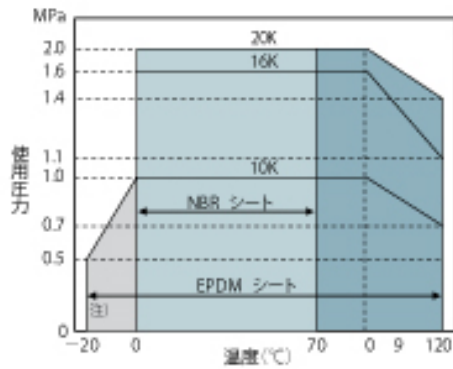
For more details, please refer to the drawing.

Pressure-temperature ratings and other performance data published in this catalog have been developed from our design calculation, in-house testing, field reports provided by our customers and/or published official standards or specifications. They are good only to cover typical applications as a general guideline to users of KITZ products introduced in this catalog. For any specific application, users are kindly requested to contact KITZ Corporation for technical advice, or to carry out their own study and evaluation for proving suitability of these products to such an application. Failure to follow this request could result in property damage and/or personal injury, for which we shall not be liable. Read instruction manual carefully before use.

# KITZ

KITZ CORPORATION Tokyo Shiodome Building, 1-9-1, Higashi-Shimbashi, Minato-ku, Tokyo 105-7305, Japan  
© KITZ Corporation. All Right Reserved.

ISO 9001  
CERTIFIED  
Since 1989



Pressure-temperature ratings and other performance data published in this catalog have been developed from our design calculation, in-house testing, field reports provided by our customers and/or published official standards or specifications. They are good only to cover typical applications as a general guideline to users of KITZ products introduced in this catalog. For any specific application, users are kindly requested to contact KITZ Corporation for technical advice, or to carry out their own study and evaluation for proving suitability of these products to such an application. Failure to follow this request could result in property damage and/or personal injury, for which we shall not be liable. Read instruction manual carefully before use.



**KITZ CORPORATION** Tokyo Shiodome Building, 1-9-1, Higashi-Shimbashi, Minato-ku, Tokyo 105-7305, Japan  
© KITZ Corporation. All Right Reserved.

