

TYPE 400 FORGED BRASS, BALL VALVES

KITZ Fig: AKTN

Sizes: 1/4-3inch(8-80mm)

Reduced Bore, 3-Way 2-Seat L-Port, Screwed Ends.

Standards

. End to End: KITZ STANDARD

. End Connection:

. Wall Thickness: KITZ STANDARD

Test Standard

. KITZ STANDARD

Dimensions

SIZE (inch/mm)	L	L1	H	D1	Kg
1/4 8	40.0	20.0	30.0	60.0	0.00
3/8 10	46.0	23.0	35.0	70.0	0.00
1/2 15	67.0	33.5	44.0	80.0	0.00
3/4 20	68.0	34.0	49.0	80.0	0.00
1 25	79.0	39.5	55.0	110.0	0.00
1 1/4 32	89.0	44.5	59.0	110.0	0.00
1 1/2 40	100.0	50.0	64.0	110.0	0.00
2 50	115.0	57.5	74.0	140.0	0.00
2 1/2 65	138.0	69.0	91.0	200.0	0.00
3 80	166.0	83.0	104.0	300.0	0.00

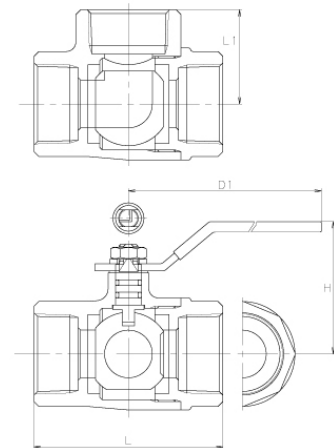
Material List

NAME OF PART	MATERIAL	SPECIFICATION
BODY	FORGED BRASS	C3771
BODY CAP	FORGED BRASS	C3771
STEM	BRASS (4)	C3531
BALL	FORGED BRASS	C3771 (1)

Specifications

TYPE 400 FORGED BRASS, BALL VALVES, Reduced Bore, 3-Way 2-Seat L-Port, Screwed Ends.

End to End : KITZ STANDARD, Wall Thickness : KITZ STANDARD, Test Standard : KITZ STANDARD, Sizes : 1/4-3inch(8-80mm), BODY MATERIAL : FORGED BRASS, BODY CAP MATERIAL : FORGED BRASS, STEM MATERIAL : BRASS (4), BALL MATERIAL : FORGED BRASS, KITZ Fig : AKTN



For more details, please refer to the drawing.

Pressure-temperature ratings and other performance data published in this catalog have been developed from our design calculation, in-house testing, field reports provided by our customers and/or published official standards or specifications. They are good only to cover typical applications as a general guideline to users of KITZ products introduced in this catalog. For any specific application, users are kindly requested to contact KITZ Corporation for technical advice, or to carry out their own study and evaluation for proving suitability of these products to such an application. Failure to follow this request could result in property damage and/or personal injury, for which we shall not be liable. Read instruction manual carefully before use.

KITZ

KITZ CORPORATION Tokyo Shiodome Building, 1-9-1, Higashi-Shimbashi, Minato-ku, Tokyo 105-7305, Japan
© KITZ Corporation. All Right Reserved.

ISO 9001
CERTIFIED
Since 1989