

TYPE 400 FORGED BRASS, BALL VALVES

KITZ Fig: AKT

Sizes: 1/4-4inch(8-100mm)
STANDARD BORE, SCREWED ENDS.

Standards

- End to End: KITZ STANDARD
- End Connection: ASME B1.20.1
- Wall Thickness: KITZ STANDARD

Test Standard

- KITZ STANDARD

Dimensions

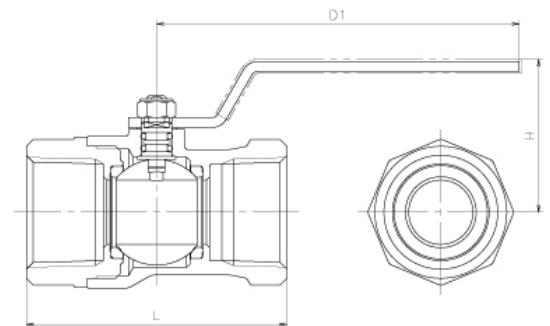
SIZE (inch/mm)	L	L1	H	D1	Kg
1/4 8	2.0	0.0	1.5	2.4	0.00
3/8 10	2.0	0.0	1.5	2.4	0.00
1/2 15	2.6	0.0	1.5	3.2	0.00
3/4 20	2.7	0.0	1.6	3.2	0.00
1 25	3.1	0.0	1.8	4.3	0.00
1 1/4 32	3.4	0.0	2.0	4.3	0.00
1 1/2 40					
2 50					
2 1/2 65	5.0	0.0	3.4	7.9	0.00
3 80					
4 100					

Material List

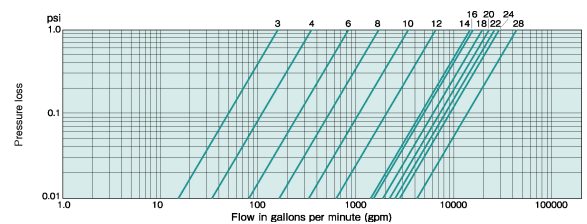
NAME OF PART	MATERIAL	SPECIFICATION
BODY	FORGED BRASS	C3771 (SIZE 1/4-3)
BODY CAP	FORGED BRASS	C3771 (SIZE 1/4-3)
STEM	BRASS	C3531 (2)
BALL	FORGED BRASS (3)	C3771 (SIZE 1/4-2. 1/2)

Specifications

TYPE 400 FORGED BRASS, BALL VALVES, STANDARD BORE, SCREWED ENDS.
End to End : KITZ STANDARD, End Connection : ASME B1.20.1, Wall Thickness : KITZ STANDARD, Test Standard : KITZ STANDARD, Sizes : 1/4-4inch(8-100mm), BODY MATERIAL : FORGED BRASS, BODY CAP MATERIAL : FORGED BRASS, STEM MATERIAL : BRASS, BALL MATERIAL : FORGED BRASS (3), KITZ Fig : AKT



For more details, please refer to the drawing.



Pressure-temperature ratings and other performance data published in this catalog have been developed from our design calculation, in-house testing, field reports provided by our customers and/or published official standards or specifications. They are good only to cover typical applications as a general guideline to users of KITZ products introduced in this catalog. For any specific application, users are kindly requested to contact KITZ Corporation for technical advice, or to carry out their own study and evaluation for proving suitability of these products to such an application. Failure to follow this request could result in property damage and/or personal injury, for which we shall not be liable. Read instruction manual carefully before use.

KITZ

KITZ CORPORATION Tokyo Shiodome Building, 1-9-1, Higashi-Shimbashi, Minato-ku, Tokyo 105-7305, Japan
© KITZ Corporation. All Right Reserved.

ISO 9001
CERTIFIED
Since 1989